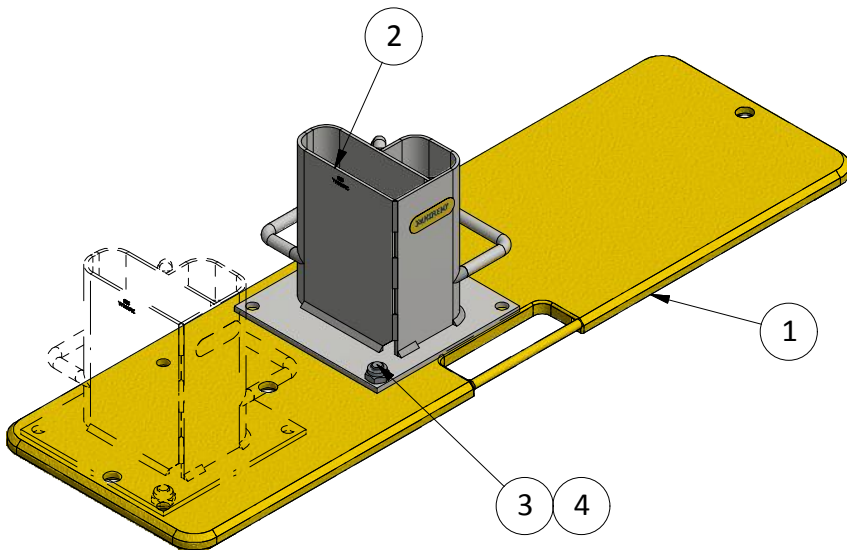


# I-GUIDE

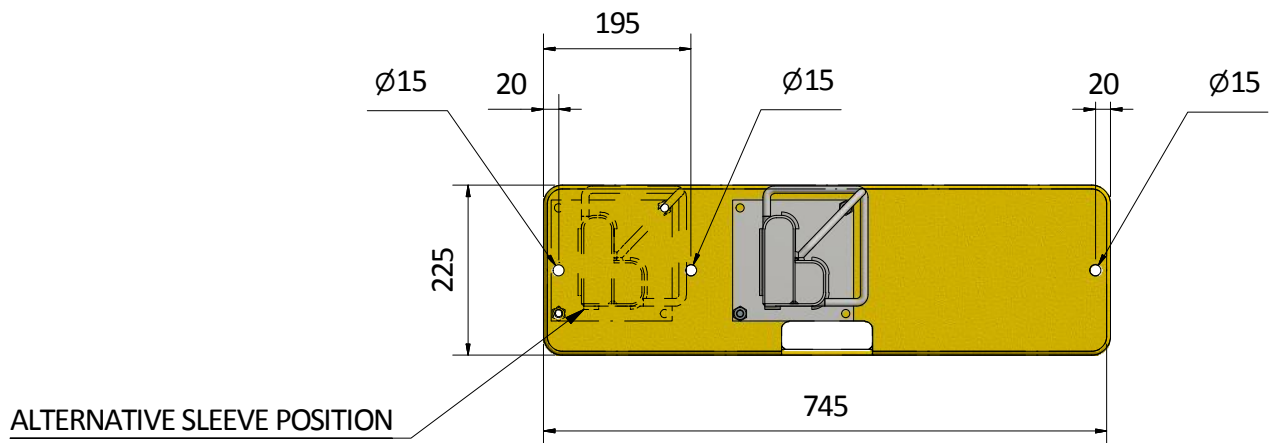
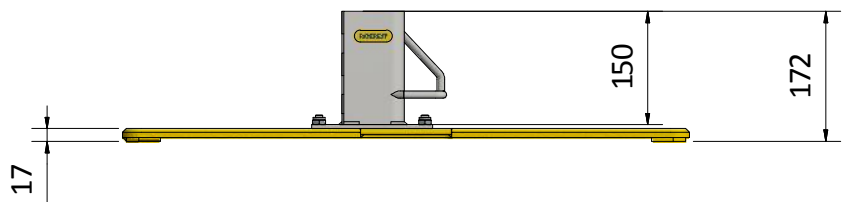
## GC FOOT

Art nr 9-760-01-012  
 Ground plate: Sand mixed colour  
 Sleeve: Galvanized  
 18,0 kg

[mm]

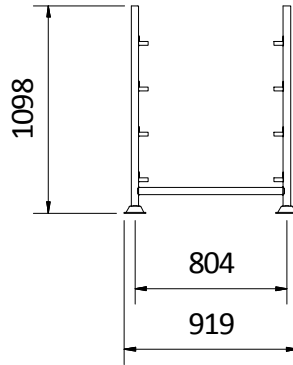
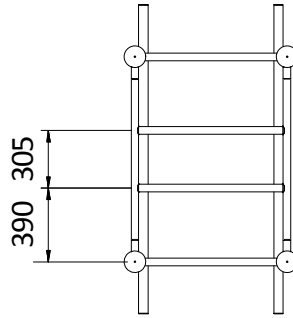
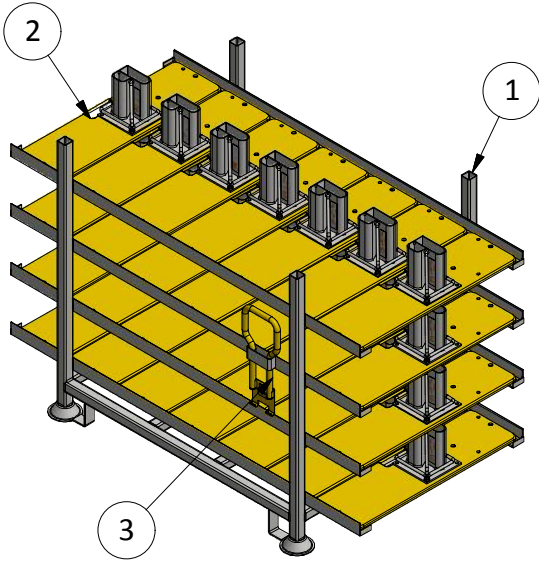


ITEM	QTY	ART. NO
1	1	9-760-01-013
2	1	9-760-01-017
3	2	6-50-3-00006
4	2	6-51-3-00003

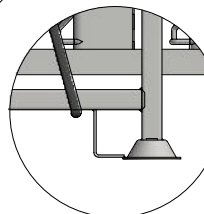
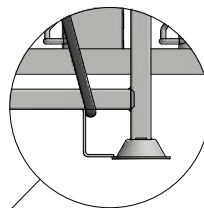
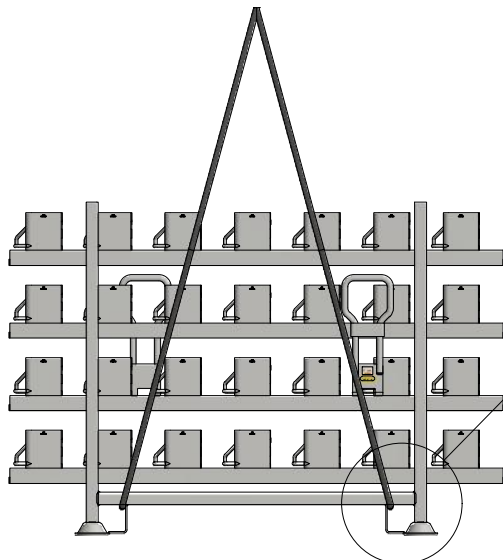
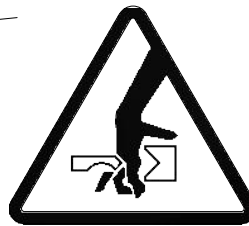
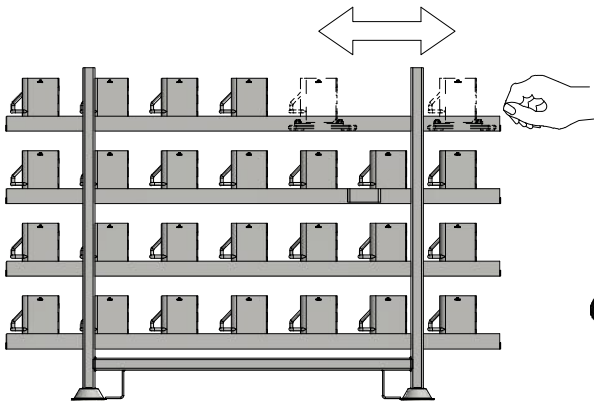
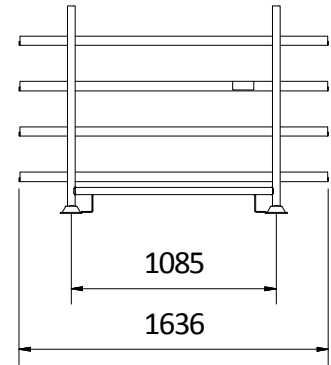


# PACKING

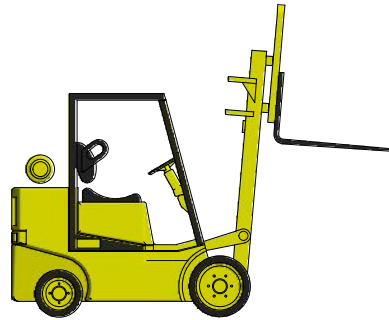
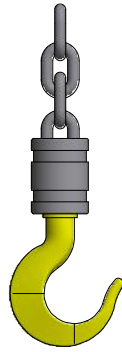
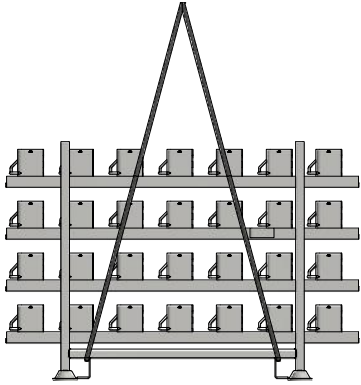
Unpacked weight: 67 kg  
Packed weight: 570 kg



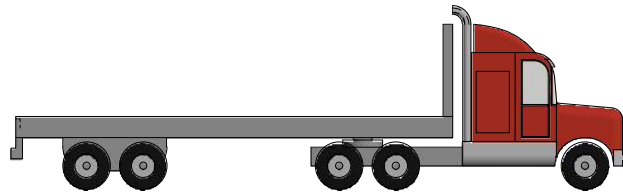
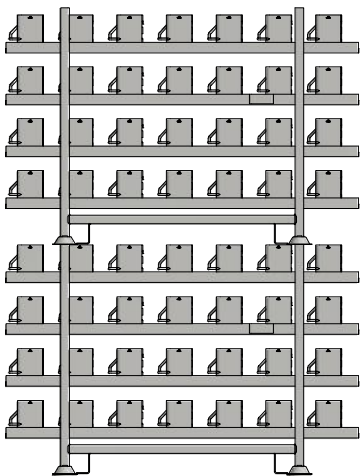
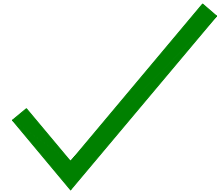
ITEM	QTY	ART. NO
1	1	9-700-00-143
2	28	9-760-01-012
3	2	9-760-01-028



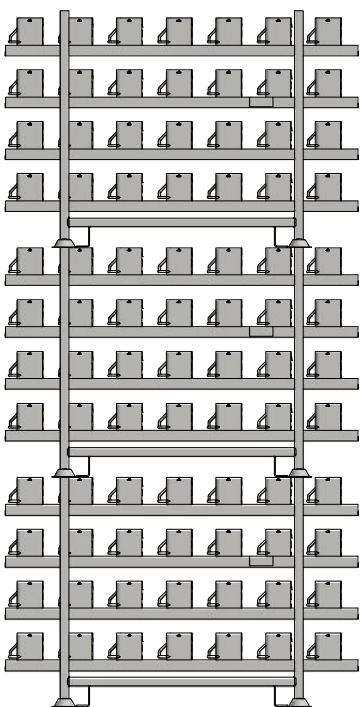
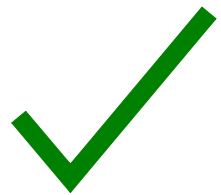
# PACKING



MAX x 1



MAX x 2



MAX x 3

