

EN HEAT PUMPS for above and inground pools

IT POMPA DI CALORE per piscine fuori terra e interrata

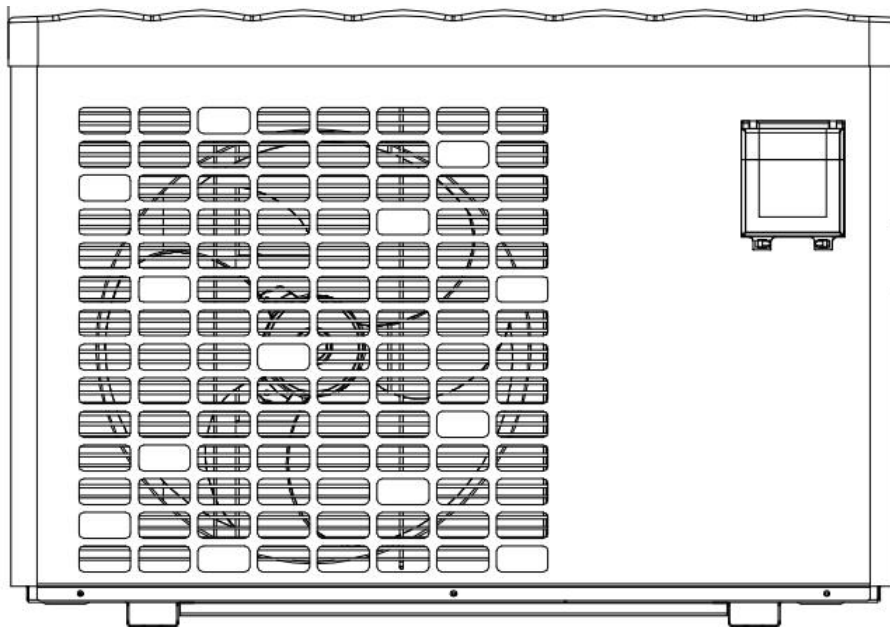
ES BOMBAS DE CALOR para piscinas sobre suelo y enterradas

NL WARMTEPOMP voor verwijderbare en ingebouwde zwembaden

FR POMPES À CHALEUR pour piscines hors sol et enterrées

PT BOMBAS DE CALOR para piscinas elevadas e enterradas

DE WÄRMEPUMPE für Aufstell-und Einbaubecken







Owner's Manual - Manual de Instrucciones
Manuel d'instructions - Bedienungsanleitung
Manuale delle istruzioni
Handleiding met instructies
Manual de instruções

INDEX FOR DIFFERENT LANGUAGES

English manual.....	1~33
Manual en Español	34~61
Notice en Français.....	62~89
Deutsches Handbuch.....	90~118
Manuale Italiano.....	119~146
Netherland manua.....	147~176
Manual Português.....	177~208
Warranty.....	209~215

 **WARNINGS**

	<p>This symbol shows that information is available such as the Operating Manual or Installation Manual.</p>		<p>This symbol shows that this appliance uses R32, a low burning velocity refrigerant.</p>
	<p>This symbol shows that the Operation Manual should be read carefully.</p>		<p>This symbol shows that service personnel should be handling this equipment with reference to the Installation Manual.</p>

GENERAL WARNINGS

- Failure to respect the warnings may cause serious damage to the pool equipment or cause serious injury, even death.
- Only a person qualified in the technical fields concerned (electricity, hydraulics or refrigeration) is authorised to carry out maintenance or repair work on the appliance. The qualified technician working on the appliance must use/wear personal protective equipment (such as safety goggles and protective gloves, etc.) in order to reduce the risk of injury occurring when working on the appliance.
- Before handling the appliance, check that it is switched off and isolated.
- This appliance is not intended for use by individuals (including children, over the age of 8) lacking in experience or with impaired physical, sensory or mental capabilities, unless: they receive supervision and are instructed on how to use the appliance by a person responsible for their safety; and if they understand the hazards involved.
- Children must be supervised to ensure that they do not play with the appliance.
- The appliance must be installed according to the manufacturer’s instructions and in compliance with local and national standards. The installer is responsible for installing the appliance and for compliance with national installation regulations. Under no circumstances may the manufacturer be held liable in the event of failure to comply with applicable local installation standards.
- For any work other than the simple user maintenance described in this manual, the product should be referred to a qualified professional.
- Incorrect installation and/or use may cause serious damage to property or serious injuries (possibly causing death).
- If the appliance suffers a malfunction, do not try to repair it yourself; instead contact a qualified technician.
- Deactivating, eliminating or by-passing any of the safety mechanisms integrated into the appliance shall automatically void the warranty, in addition to the use of spare parts manufactured by unauthorised third-party manufacturers.
- Do not spray insecticide or any other chemical (flammable or non-flammable) in the direction of the appliance, as this may damage the body and cause a fire.
- Do not touch the fan or moving parts and do not place objects or your fingers in the vicinity of the moving parts when the appliance is in operation. Moving parts can cause serious injury or even death.

WARNINGS ASSOCIATED WITH ELECTRICAL APPLIANCES

- The power supply to the appliance must be protected by a dedicated 30 mA Residual Current Device (RCD), complying with the standards and regulations in force in the country in which it is installed.
- Do not use any extension lead when connecting the appliance; connect the appliance directly to a suitable power supply.
- Before carrying out any operations, check that:
 - The voltage indicated on the appliance information plate corresponds to the mains voltage.

-The power grid must be adapted to the power requirements of the appliance, and is grounded.

- Do not disconnect and reconnect the appliance to the power supply when in operation.
- Do not pull on the power cord to disconnect it from the power supply.
- If the power cord is damaged, it must be replaced by the manufacturer, its technician or a qualified person to guarantee safety.
- Do not perform maintenance or servicing operations on the appliance with wet hands or if the appliance is wet.
- Before connecting the appliance to the power supply, check that the connection unit or socket to which the appliance will be connected is in good condition and shows no signs of damage or rust.
- In stormy weather, disconnect the appliance from the power supply to prevent it from suffering lightning damage.
- Do not immerse the appliance in water or mud.

WARNINGS CONCERNING APPLIANCES CONTAINING REFRIGERANT R32

- R32 refrigerant is classed under category A2L as mildly flammable.
- Do not release R32 fluid into the atmosphere. These are fluorinated greenhouse gases, covered by the Kyoto Protocol, with a Global Warming Potential (GWP) of 675 (European regulation EU 517/2014).
- The appliance must be stored in a well-ventilated location away from all ignition sources.
- Install the unit outdoors. Do not install the unit indoors or in an enclosed and non-ventilated outdoor location.
- Do not use means for accelerating the defrosting or cleaning process other than those recommended by the manufacturer.
- The appliance must be stored in a room without any permanent ignition source (such as open flames, operating gas appliance or operating electric heating).
- Do not perforate or incinerate.
- Please note that R32 refrigerant may give off a certain odour.
- In order to comply with the applicable standards and regulations in terms of the environment and installation, in particular French decree No. 2015-1790 and/or European regulation EU 517/2014, a leak test must be performed on the cooling circuit at least once a year. This operation must be carried out by a specialist certified to test cooling appliances.
- Please keep the display controller in a dry area, or well close the insulation cover to protect the display controller from being damaged by humidity.

INSTALLATION AND MAINTENANCE

- The appliance may not be installed close to combustible materials, or the air duct inlet of an adjacent building.
- With some appliances, it is essential to fit a "protection grid"-type accessory if the unit is installed in an area with uncontrolled access.
- During installation, troubleshooting and maintenance, pipes may not be used as steps: the pipe could break under the weight, spilling refrigerant and possibly causing serious burns.
- When servicing the appliance, the composition and state of the heat transfer fluid must be checked, as well as the absence of any traces of refrigerant.
- During the annual appliance sealing test in accordance with applicable legislation, the high and low pressure switches must be checked to ensure that they are securely fastened to the refrigerant circuit and that they cut off the electrical circuit when tripped.
- During maintenance work, ensure there are no traces of corrosion or oil around the cooling components.
- Before beginning work on the cooling circuit, stop the appliance and wait for a few minutes before fitting the temperature and pressure sensors. Some elements such as the compressor and piping may reach temperatures in excess of 100°C and high pressures with the consequent risk of severe burns.
- Do not braze or weld the pipe if there is refrigerant inside machine. Please do not charge the gas when in a confined space.

MAINTENANCE : WARNINGS CONCERNING APPLIANCES CONTAINING R32 REFRIGERANT

Area check

- Before starting work on systems containing flammable refrigerants, safety checks must be carried out to guarantee a minimal ignition risk.

Work procedure

- The work must be carried out according to a controlled procedure in order to reduce the risks of releasing a flammable gas or vapour while working.

General work area

- All maintenance staff and other personnel working in the surrounding area must be made aware of the work carried out. Work conducted in enclosed areas must be avoided.

Check for the presence of refrigerant

- The area must be analysed using a suitable refrigerant detector before and during work so that the technician is informed of the presence of a potentially toxic or flammable atmosphere. Check that the leak detection equipment used is suitable for use with all refrigerants concerned, i.e. that it does not cause a spark, is correctly isolated or is entirely safe.

Check for the presence of a fire extinguisher

- If work must be carried out on the cooling equipment or any part associated therewith at a certain temperature, suitable fire extinguishing means must be within reach. Place a dry chemical fire extinguisher or CO₂ fire extinguisher near the work area.

No source of ignition

- No person carrying out work on a cooling system involving exposing the piping may use any ignition source, which could create a fire or explosion risk. All possible ignition sources, in particular cigarettes, must not enter within a sufficient perimeter of the installation, repair, removal or disposal site, in the event that refrigerant could be released into the surrounding space. Before starting the work, the area around the equipment must be examined to check for all fire or ignition risks. "No smoking" signs must be displayed.

Area ventilation

- Before accessing the unit in any manner whatsoever with the intention of performing any maintenance task, check that the area is open and well-ventilated. Suitable ventilation must be provided throughout the maintenance task to allow any refrigerant that could be released into the atmosphere to be safely dispersed.

Refrigeration equipment check

- The manufacturer's recommendations in terms of care and maintenance must always be complied with. When replacing electric components, check that components used are of the same type and category as those recommended/approved by the manufacturer. When in doubt, contact the manufacturer's technical department for assistance.
- The following checks must be applied to installations using flammable refrigerants:
 - the markings on the equipment must remain visible and legible; any illegible markings or signs must be rectified;
 - the hoses or components of the cooling circuit are installed in a position where they are unlikely to be exposed to any substance capable of corroding the components containing refrigerant, unless the components are made from materials that are typically corrosion-proof or correctly protected from such corrosion.

Electric component check

- The repair and maintenance of electric components must include initial safety checks and component inspection procedures. If a defect capable of jeopardising safety arises, no power supply must be connected to

the circuit until the problem has been completely resolved. If the defect cannot be rectified immediately and if maintenance work must continue, an appropriate temporary solution must be found. This must be reported to the equipment's owner so that all persons concerned are made aware.

- The repair and maintenance of electric components must include the following initial safety checks:

-the capacitors are discharged: this must be carried out safely to prevent all risks of ignition;
-no electric component or live wiring is exposed while charging, overhauling or draining the system;
-the system must be grounded at all times.

Repair of insulated components

- When repairing insulated components, all power sources must be disconnected from the equipment on which the work is being carried out before removing the insulating cover, etc. If the equipment must be powered during maintenance work, a leak detector must continuously monitor for leaks at the most critical point in order to report any potentially hazardous situation.
- Particular attention must be paid to the following points to ensure that, when performing work on the electric components, the housing is not altered to the point of affecting the protection rating. This includes damaged wires, an excessive number of connections, terminals that do not comply with the original specifications, damaged seals, incorrect installation of the cable glands, etc.
- Make sure that the appliance is properly fixed.
- Make sure that the seals or insulating materials are not deteriorated to the point that they no longer prevent a flammable atmosphere from penetrating the circuit. Spare parts must be compliant with the manufacturer's specifications.

Repair of intrinsically safe components

- Do not apply any permanent electric capacitance or induction charge to the circuit without checking that it does not exceed the allowed voltage and intensity for the equipment being used.
- Typically safe components are the only types on which work can be carried out in the presence of a flammable atmosphere when live. The test appliance must fall under a suitable classification.
- Only replace components with parts specified by the manufacturer. Other parts could cause the refrigerant to leak and ignite in the atmosphere.

Wiring

- Check that the wiring shows no signs of wear, corrosion, excessive pressure, vibration, cutting edges or any other detrimental environmental effect. The check must also take into account the effects of ageing or continuous vibrations caused by sources such as compressors or fans.

Detection of flammable refrigerant

- Under no circumstances must potential ignition sources be used to search for or detect refrigerant leaks. A halide torch (or any other detector using a naked flame) must not be used.
- The following leak detection methods are considered to be acceptable for all cooling systems.
- Electronic leak detectors can be used to detect refrigerant leaks; however, in the case of flammable refrigerants, the sensitivity level may not be suitable or recalibration may be necessary. (The detection equipment must be calibrated in an area devoid of refrigerant). Check that the detector is not a potential ignition source and is appropriate for the refrigerant used. The leak detection equipment must be adjusted to a percentage of the refrigerant's LFL and must be calibrated according to the refrigerant used. The appropriate gas percentage (25% at most) must be confirmed.
- Leak detection fluids are also suited for use with most refrigerants, however the use of detergents containing chlorine must be avoided since it could react with the refrigerant and cause corrosion to the copper piping.
- If a leak is suspected, all naked flames must be removed/extinguished.
- If a refrigerant leak is detected and requires soldering, the entire quantity of refrigerant must be removed from the system or isolated (by way of shut-off valves) in part of the system located away from the leak.

Removal and discharge

- When accessing the cooling circuit to carry out repairs, or for any other reason, conventional procedures must be employed. However, for flammable refrigerants, the recommendations must be complied with in order to take account of the product's flammability. The following procedure must be followed:
- remove the refrigerant;
- purge the circuit with an inert gas (optional for A2L);
- drain (optional for A2L);
- purge with an inert gas (optional for A2L);
- open the circuit by cutting or soldering.
- The refrigerant charge must be recovered in suitable recovery cylinders. For appliances containing flammable refrigerants other than A2L refrigerants, the system must be bled with nitrogen devoid of oxygen to make the appliance suitable for receiving flammable refrigerants. You may need to repeat this process several times. Compressed air or oxygen must not be used to purge cooling systems.

Loading procedures

- Check that the vacuum pump outlet is not located in the vicinity of any potential ignition source and that ventilation is provided.
- In addition to conventional charging procedures, the following requirements apply.
- Check that there is no possibility of cross-contamination between the different refrigerants when using charging equipment. Hoses or lines must be as short as possible to reduce the quantity of refrigerant contained therein.
- Cylinders must be kept in an appropriate position, in accordance with the instructions.
- Check that the cooling system is grounded before charging the system with refrigerant.
- Label the system once charging is complete (if this is not already the case).
- Pay close attention to not overfilling the cooling system.
- Before recharging the system, carry out a pressure test using a suitable purge gas. The system must be examined to make sure there are no leaks after the charging operation and before commissioning. A follow-up leak test must be carried out before leaving the site.

Dismantling

- Before dismantling, the technician must familiarise himself/herself with the equipment and its specifications. We highly recommend carefully recovering all refrigerants. Before this, oil and refrigerant samples must be taken if analyses are to be carried out before any other use of the recovered refrigerant. Check for the presence of a power supply before starting work.

1. Familiarise yourself with the equipment and how it operates.
2. Electrically isolate the system.
3. Before starting work, check the following points:
 - mechanical handling equipment is available if needed to handle the refrigerant cylinders;
 - all personal protective equipment is available and used correctly;
 - the recovery process is followed at all times by a cognizant person;
 - the recovery cylinders and equipment comply with the relevant standards.

1. Drain the cooling system where possible.
2. If a vacuum cannot be created, install a manifold in order to be able to remove the refrigerant from various locations within the system.
3. Make sure that the cylinder is located on the scales before starting recovery operations.
4. Start the recovery unit and operate as per its instructions.
5. Do not overfill the cylinders (no more than 80% of the volume must be filled with liquid).
6. Do not exceed the maximum working pressure of the cylinder, even temporarily.
7. When the cylinders have been filled correctly and the process is complete, check that the cylinders and the equipment are quickly removed from the site and that the alternative shut-off valves on the equipment are closed.
8. The recovered refrigerant must not be charged in another cooling system, unless it has been cleaned and inspected.

TROUBLESHOOTING

- All brazing must be carried out by qualified brazers.
- Replacement pipes must always be made of copper in compliance with standard NF EN 12735-1.
- Leak detection; pressure test:
 - never use oxygen or dry air, risk of fire or explosion,
 - use dry nitrogen or the mixture of nitrogen and refrigerant indicated on the information plate,
- the test pressure for both the high and low pressure circuits must not exceed 42 bar in cases where the appliance is equipped with the optional pressure gauge.
- The high pressure circuit pipes are made of copper and have a diameter equal to or greater than 1"5/8. A certificate as indicated in §2.1 in compliance with standard NF EN 10204 must be requested from the supplier and filed in the installation's technical file.
- Technical data relative to the safety requirements of the various applicable directives are indicated on the information plate. All this information must be recorded in the appliance's installation manual, which must be kept in its technical file: model, code, serial number, maximum and minimum OT, OP, year of manufacture, CE marking, manufacturer's address, refrigerant and weight, electrical parameters, thermo-dynamic and acoustic performance.

LABELLING

- The equipment must be labelled so as to specify that it is out of order and that the refrigerant has been drained.
- The label must be dated and signed.
- For appliances containing a flammable refrigerant, check that labels are placed on the equipment stating that it contains a flammable refrigerant.

RECOVERY

- When draining the refrigerant for maintenance or decommissioning, best practices should be followed in order to safely drain all of the refrigerant.
- When transferring refrigerant to a cylinder, make sure that you use a recovery cylinder that is compatible with the refrigerant. Make sure that the correct number of cylinders are provided for recovering all of the refrigerant. All cylinders used must be intended for the recovery of refrigerant and must be labelled for this specific refrigerant. The cylinders must be equipped with a vacuum valve and a stop gate in good working order. Empty collection cylinders are drained and, where possible, cooled before recovery.
- The recovery equipment must be in good working order, the instructions for using the equipment must be within reach and the equipment must be compatible for use with the refrigerant concerned, including, where appropriate, a flammable refrigerant. Moreover, a set of calibrated scales must be available and in good working order. The pipework must be complete, have no leaks or disconnected connectors, and must be in good condition. Before using the recovery unit, check that it is in good working order, that it has been well maintained and that the associated electric components are sealed so as to prevent any risk of fire in the event of refrigerant being released. If you have any doubts, contact the manufacturer.
- The recovered refrigerant must be sent to the refrigerant supplier in its recovery cylinder with a waste transfer note. Do not mix different refrigerants in the recovery units, and in particular in the cylinders.
- If the compressor has been removed or if oil from the compressor has been drained, check that the refrigerant has been completely removed to prevent it from mixing with the lubricant. The draining process must be carried out before returning the compressor to the supplier. Only the electric heater of the compressor body can be used to accelerate this process. This operation can be carried out safely once all liquids within the system have been drained.



RECYCLING

This symbol is required by the European directive DEEE 2012/19/EU (directive on waste electrical and electronic equipment) and means that your appliance must not be thrown into a normal bin. It will be selectively collected for the purpose of reuse, recycling or transformation. If it contains any substances that may be harmful to the environment, these will be eliminated or neutralised. Contact your retailer for recycling information.

VSP INVERTER +7°C

User and Service manual

INDEX

1. Specifications
2. Dimension
3. Installation and connection
4. Accessories
5. Electrical Wiring
6. Display Controller Operation
7. Troubleshooting
8. Exploded Diagram
9. Maintenance

Thank you for using our swimming pool heat pump for your pool heating, it will heat your pool water and keep the constant temperature when the air ambient temperature is between 7 and 43°C

▲ ATTENTION: This manual includes all the necessary information with the use and the installation of your heat pump.

The installer must read the manual and attentively follow the instructions in implementation and maintenance. Please keep on pass on this manual for later throughout the appliance 's service life.

The installer is responsible for the installation of the product and should follow all the instructions of the manufacturer and the regulations in application. Incorrect installation against the manual implies the exclusion of the entire guarantee.

The manufacturer declines any responsibility for the damage caused with the people, objects and of the errors due to the installation that disobey the manual guideline. Any use that is without conformity at the origin of its manufacturing will be regarded as dangerous.

1. Specifications

1.1 Technical data

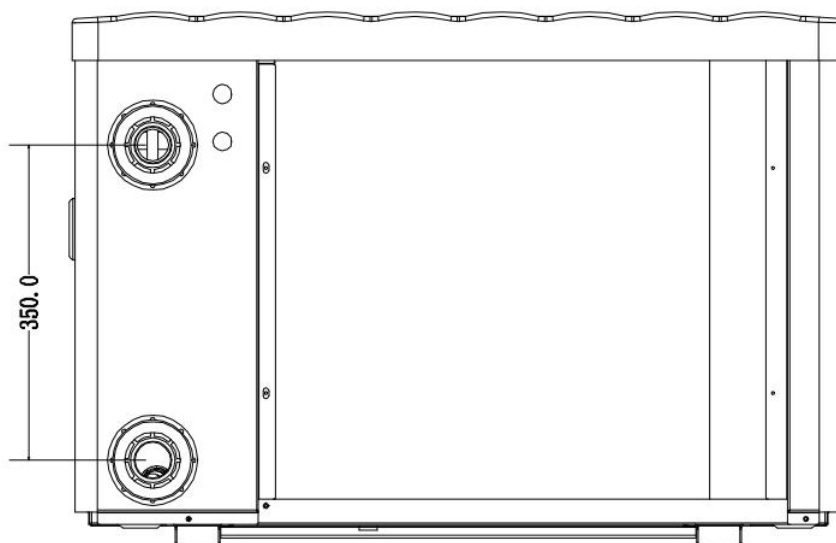
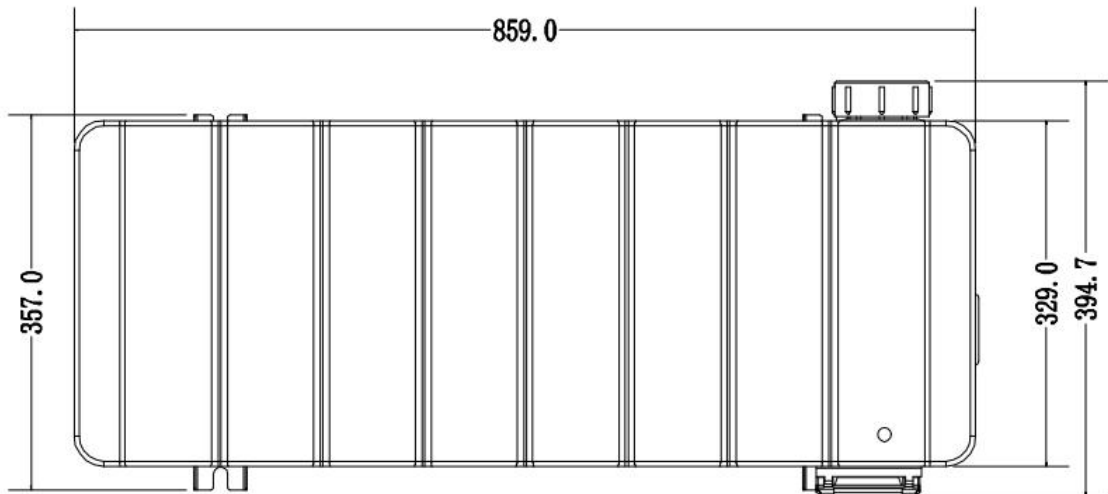
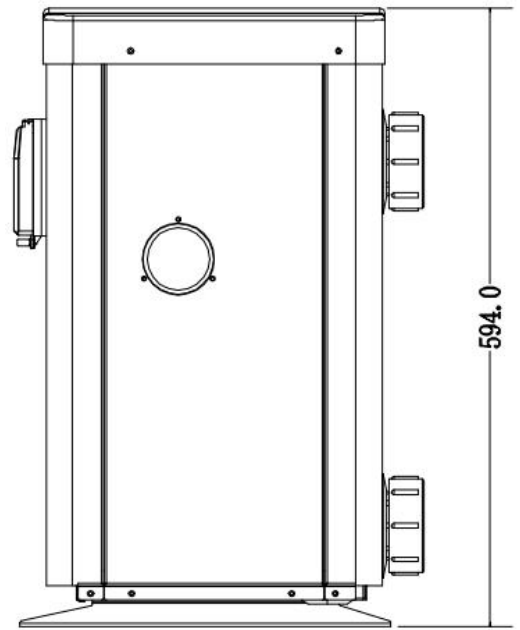
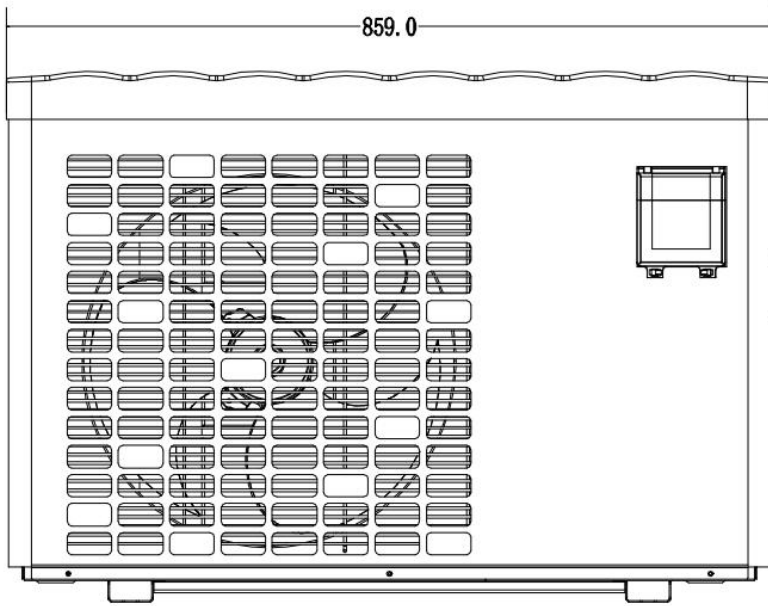
MODEL		74148	74149	74150	74151
CODE		VSP-10	VSP-12	VSP-15	VSP-17
* Performance at Air 28°C, Water 28°C, Humidity 80%					
Heating capacity	kW	10-2.3	12-2.9	15-3.2	17-3.8
Power consumption	kW	1.55-0.14	1.77-0.18	2.26-0.2	2.67-0.23
C.O.P.		16-6.5	16-6.8	16-6.6	16-6.4
* Performance at Air 15°C, Water 26°C, Humidity 70%					
Heating capacity	kW	7-1.9	8.5-2	10-2.2	12-3
Power consumption	kW	1.43-0.27	1.72-0.28	2.07-0.31	2.43-0.42
C.O.P.		7.1-4.9	7.2-4.9	7.2-4.8	7.2-4.9
* General data					
Compressor type		Inverter Compressor			
Voltage	V	220~240V / 50Hz /1PH			
Rated current /Distinguish nominal /Max currents	A	6.9	7.9	10.0	11.8
Minimum fuse	A	10	12	15	18
Advised water flux	m ³ /h	2.8	3.7	4.0	4.6
Water pressure drop	Kpa	12	14	15	15
Heat exchanger		Twist-titanium tube in PVC			
Water connection	mm	50			
Fan quantity		1			
Ventilation type		Horizontal			
Noise level(10m)	dB(A)	22-34	23-35	23-37	24-37
Noise level(1m)	dB(A)	40-52	40-52	40-54	41-54
Refrigerant (R32)	g	650	700	1000	1100
CO2 equivalent	Tonne	0.44	0.47	0.68	0.74
* Dimension/ Weight					
Net weight	kg	56	68	73	78
Gross weight	kg	68	73	78	83
Net dimension	mm	859*394.7*594	987*418.7*693.5		
Packing dimension	mm	890*425*630	1015*445*715		

* Above data are subjects to modification without notice.

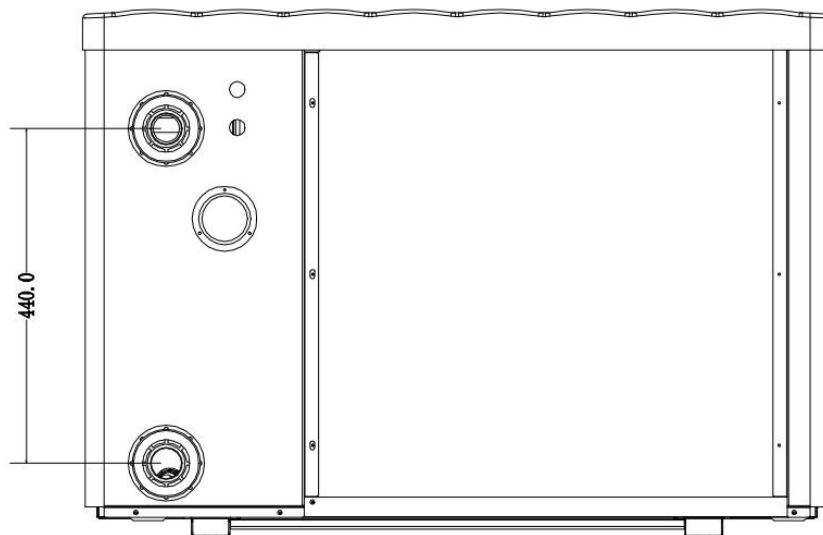
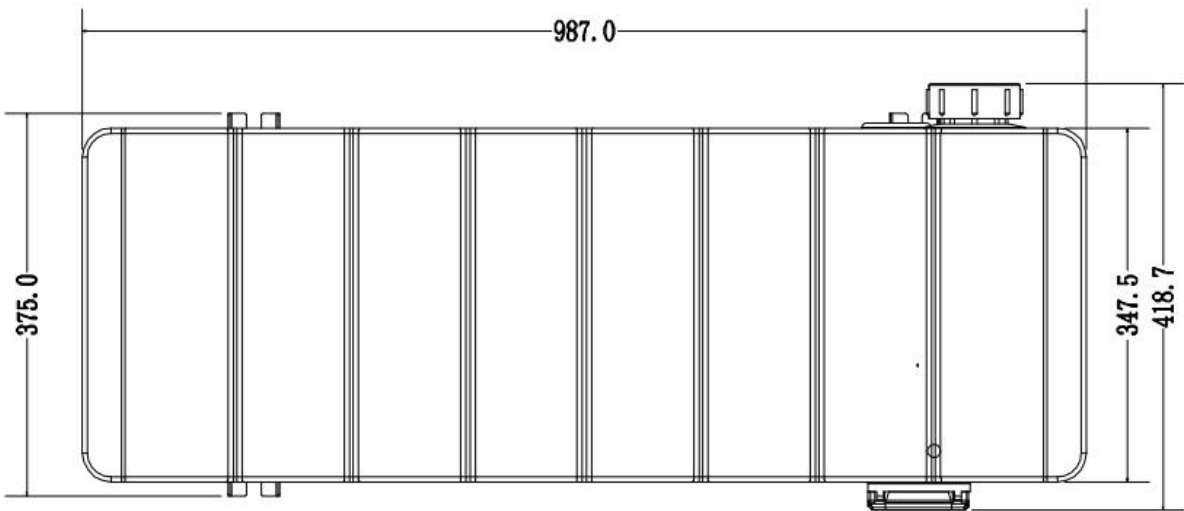
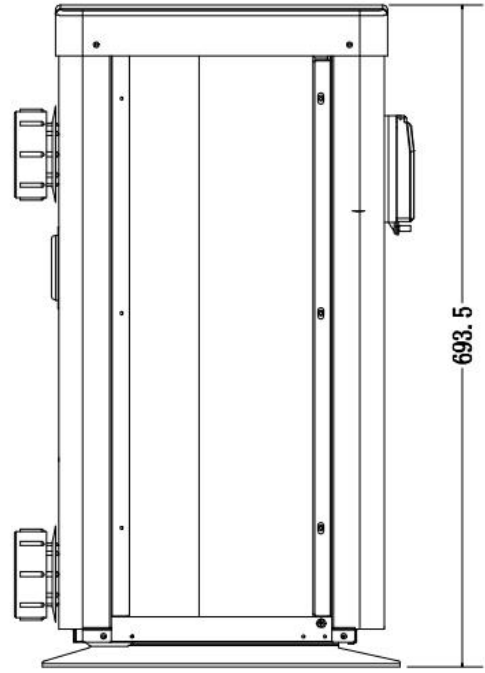
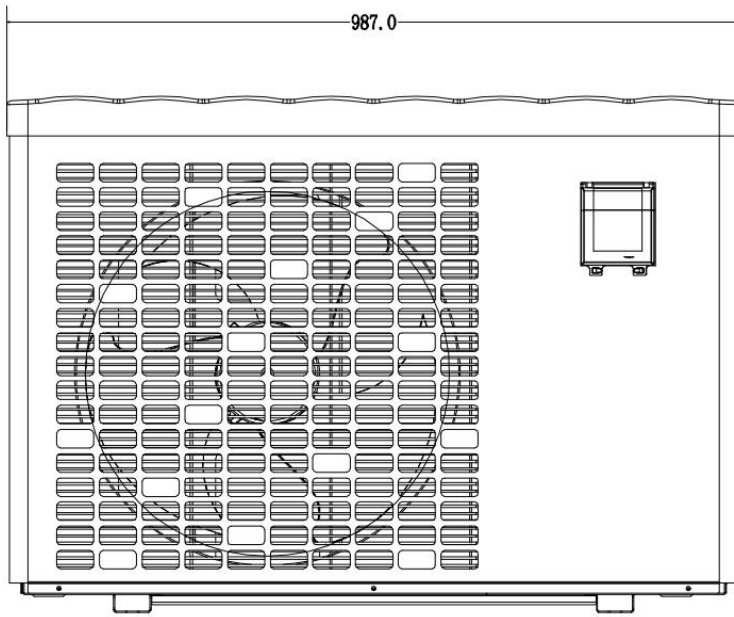
2. Dimension

unit:mm

Model:VSP-10



Model:VSP-12 & VSP-15 & VSP-17



3. Installation and connection

3.1 Notes

The factory supplies only the heat pump. All other components, including a bypass if necessary, must be provided by the user or the installer.

Attention:

Please observe the following rules when installing the heat pump:

1. Any addition of chemicals must take place in the piping located **downstream** from the heat pump.
2. Install a bypass if the water flow from the swimming pool pump is more than 20% greater than the allowable flow through the heat exchanger of the heat pump.
3. Install the heat pump above the water level of the swimming pool.
4. Always place the heat pump on a solid foundation and use the included rubber mounts to avoid vibration and noise.
5. Always hold the heat pump upright. If the unit has been held at an angle, wait at least 24 hours before starting the heat pump.

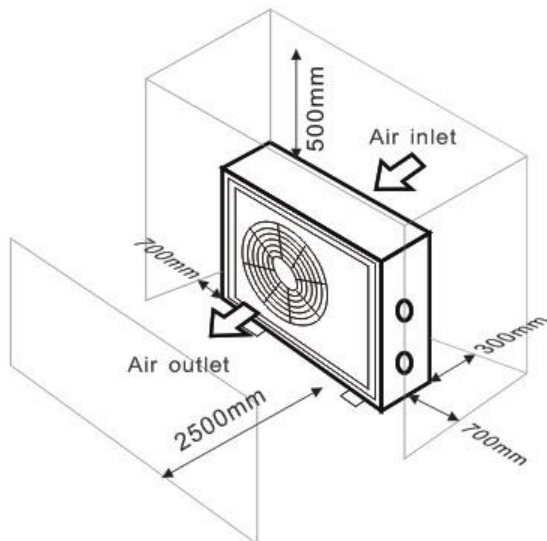
3.2 Heat pump location

The unit will work properly in any desired location as long as the following three items are present:

- 1. Fresh air – 2. Electricity – 3. Swimming pool filters**

The unit may be installed in virtually any **outdoor** location as long as the specified minimum distances to other objects are maintained (see drawing below). Please consult your installer for installation with an indoor pool. Installation in a windy location does not present any problem at all, unlike the situation with a gas heater (including pilot flame problems).

ATTENTION: Never install the unit in a closed room with a limited air volume in which the air expelled from the unit will be reused, or close to shrubbery that could block the air inlet. Such locations impair the continuous supply of fresh air, resulting in reduced efficiency and possibly preventing sufficient heat output. See the drawing below for minimum dimensions.

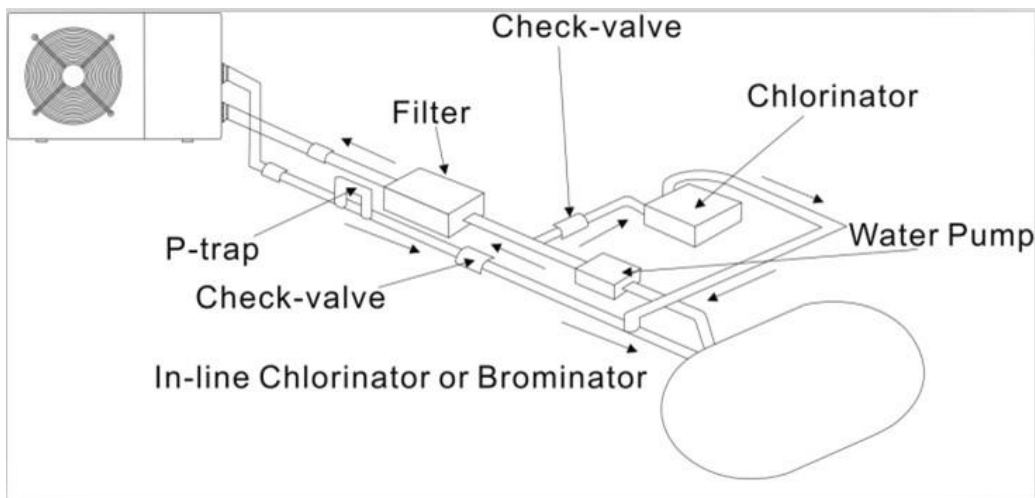


3.3 Distance from your swimming pool

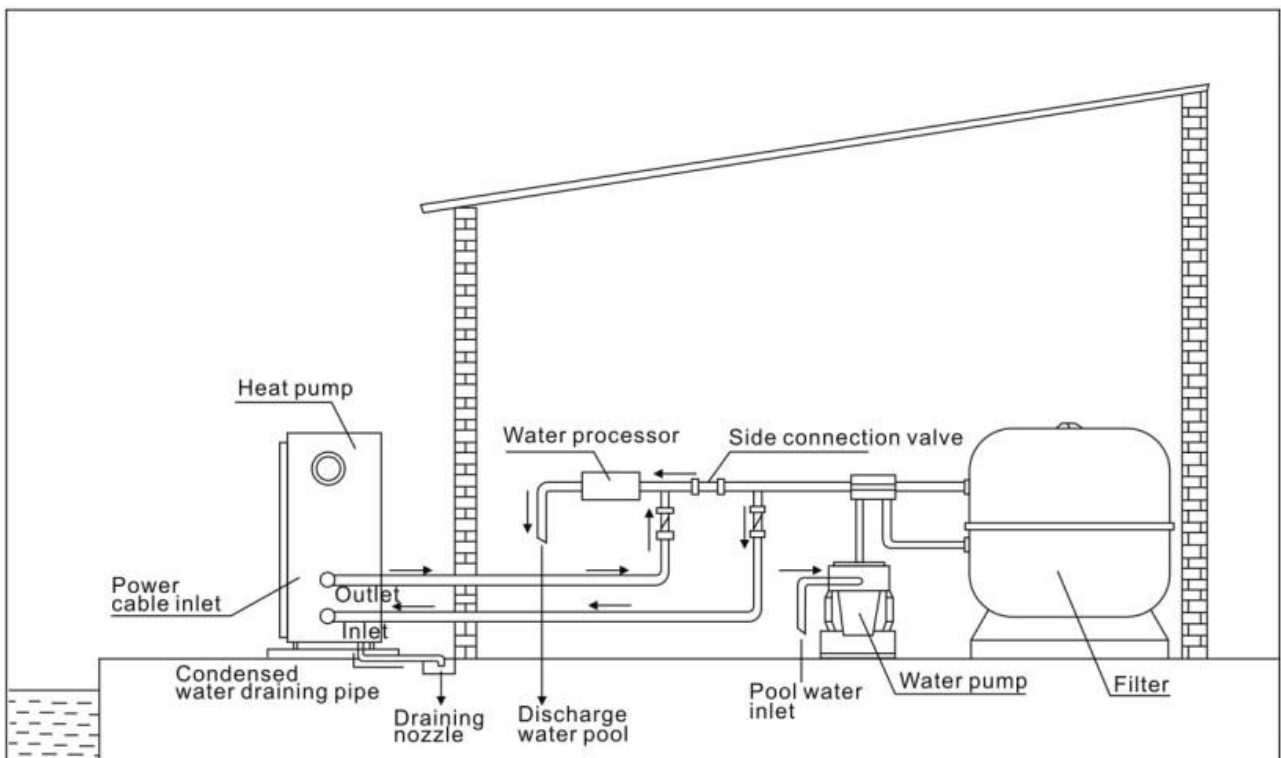
The heat pump is normally installed within a perimeter area extending 7.5 m from the swimming pool. The greater the distance from the pool, the greater the heat loss in the pipes. As the pipes are mostly underground, the heat loss is low for distances up to 30 m (15 m from and to the pump; 30 m in total) unless the ground is wet or the groundwater level is high. A rough estimate of the heat loss per 30 m is 0.6 kWh (2,000 BTU) for every 5 °C difference between the water temperature in the pool and the temperature of the soil surrounding the pipe. This increases the operating time by 3% to 5%.

3.4 Check-valve installation

Note: If automatic dosing equipment for chlorine and acidity (pH) is used, it is essential to protect the heat pump against excessively high chemical concentrations which may corrode the heat exchanger. For this reason, equipment of this sort must always be fitted in the piping on the **downstream** side of the heat pump, and it is recommended to install a check-valve to prevent reverse flow in the absence of water circulation. Damage to the heat pump caused by failure to observe this instruction is not covered by the warranty.

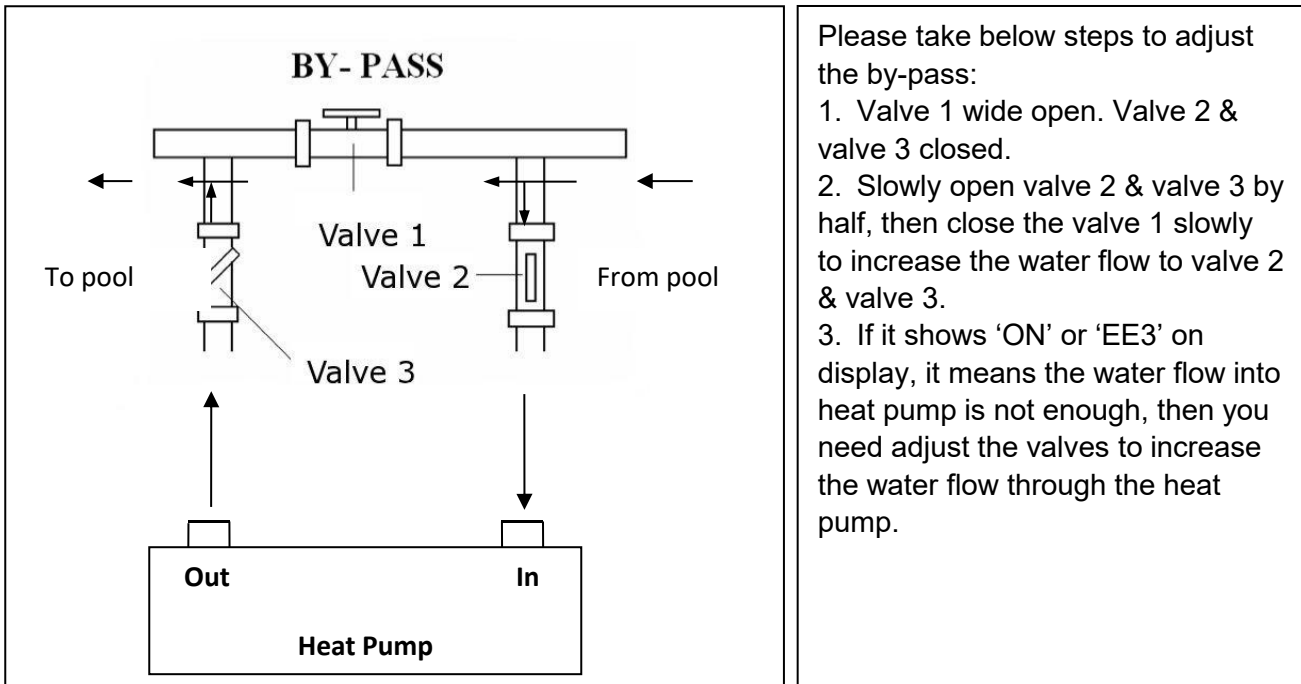


3.5 Typical arrangement



Note: This arrangement is only an illustrative example.

3.6 Adjusting the bypass



Please take below steps to adjust the by-pass:

1. Valve 1 wide open. Valve 2 & valve 3 closed.
2. Slowly open valve 2 & valve 3 by half, then close the valve 1 slowly to increase the water flow to valve 2 & valve 3.
3. If it shows 'ON' or 'EE3' on display, it means the water flow into heat pump is not enough, then you need adjust the valves to increase the water flow through the heat pump.

How to get the optimum water flow.

Please turn on the heat pump under heating function, firstly close the by-pass then open it slowly to start the heat pump (the machine can't start running when the water flow is insufficient)

Continue to adjust the by-pass, at the meantime to check the Inlet water temp. & Outlet water temp., it will be optimum when the difference is around 2 degree.

3.7 Electrical connection

Note: Although the heat pump is electrically isolated from the rest of the swimming pool system, this only prevents the flow of electrical current to or from the water in the pool. Earthing is still required for protection against short-circuits inside the unit. Always provide a good earth connection.

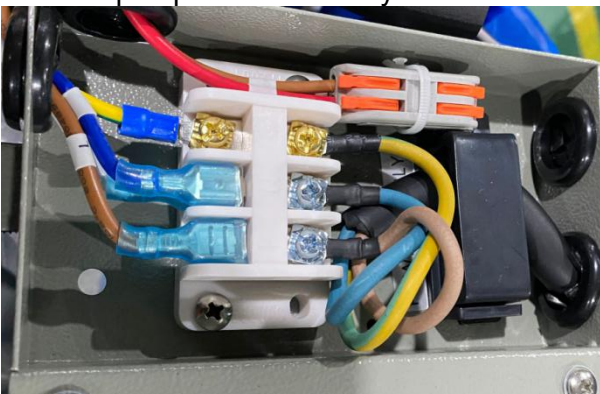
Warning : Before any work inside the appliance, you must cut the appliance's electricity supply as there is a risk of electric shock which may cause material damage, serious injury or even death.

- Incorrectly tightened terminals may cause the terminal box to heat up, which can invalidate the warranty.
- Only a qualified and experienced technician is authorised to carry out cabling work within the appliance or to replace the power cord.

Before connecting the unit, verify that the supply voltage matches the operating voltage of the heat pump. It is recommended to connect the heat pump to a circuit with its own fuse or circuit breaker (slow type; curve D) and to use adequate wiring.

Connect the electrical wires to the terminal block marked ' POWER SUPPLY '.


A second terminal block marked 'WATER PUMP ' is located next to the first one. The filter pump switch(12V) can be connected to the second terminal block here. This allows the filter pump operation to be controlled by the heat pump or the extra dry contact.



3.8 Initial operation

Note: In order to heat the water in the pool (or hot tub), the filter pump must be running to cause the water to circulate through the heat pump. The heat pump will not start up if the water is not circulating.

After all connections have been made and checked, carry out the following procedure:

1. Switch on the filter pump. Check for leaks and verify that water is flowing from and to the swimming pool.
2. Connect power to the heat pump and press the On/Off button  on the electronic control panel. The unit will start up after the time delay expires (see below).
3. After a few minutes, check whether the air blowing out of the unit is cooler.
4. When turn off the filter pump , the unit should also turn off automatically , if not, then adjust the flow switch.

Depending on the initial temperature of the water in the swimming pool and the air temperature, it may take several days to heat the water to the desired temperature. A good swimming pool cover can dramatically reduce the required length of time.

Water Flow Switch:

It is equipped with a flow switch for protecting the HP unit running with adequate water flow rate .It will turn on when the pool pump runs and shut it off when the pump shuts off.

Time delay - The heat pump has a built-in 3-minute start-up delay to protect the circuitry and avoid excessive contact wear. The unit will restart automatically after this time delay expires. Even a brief power interruption will trigger this time delay and prevent the unit from restarting immediately. Additional power interruptions during this delay period do not affect the 3-minute duration of the delay.

3.9 Condensation

The air drawn into the heat pump is strongly cooled by the operation of the heat pump for heating the pool water, which may cause condensation on the fins of the evaporator. The amount of condensation may be as much as several litres per hour at high relative humidity. This is sometimes mistakenly regarded as a water leak.

3.10 Operating modes for optimal use

- POWERFUL: Used primarily at the beginning of the season because this mode allows very rapid temperature rise
- SMART: The heat pump has completed its primary task, in this mode; the heat pump is in a position to maintain the pool water in an energy efficient manner. By automatically adjusting speed of compressor and fan the heat pump delivers a better return.
- SILENT: In the summer months when the heat output is minimal required, the heat pump in this mode is even more profitable. Added benefit; when the heat pump heats. It goes with minimal noise load.

4. Accessories

4.1 Accessories list

 <p>Anti-vibration base, 4 pcs</p>	 <p>Draining jet, 2 pcs</p>	 <p>Waterproof box, 1 pc</p>
 <p>Winter cover, 1pc</p>	 <p>Water drainage pipes, 2 pcs</p>	 <p>10M signal wire, 1 pc</p>

4.2 Accessories Installation

	<p>Anti-vibration bases</p> <ol style="list-style-type: none">1. Take out 4 Anti-vibration bases2. Put them one by one on the bottom of machine like the picture.
 	<p>Draining jet</p> <ol style="list-style-type: none">1. Install the draining jet under the bottom panel2. Connect with a water pipe to drain out the water. <p>Note: Lift the heat pump to install the jet. Never overturn the heat pump, it could damage the compressor.</p>



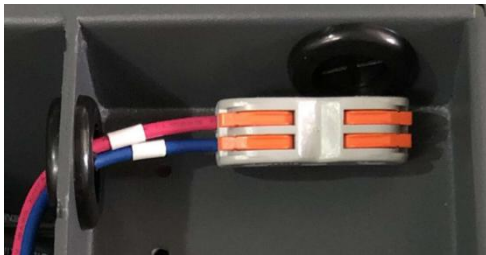
Water Inlet & outlet junction

1. Use the pipe tape to connect the water Inlet & outlet junction onto the heat pump
2. Install the two joints like the picture shows
3. Screw them onto the water Inlet & outlet junction



Cable wiring

1. Open the cover of the electric box
2. Fix the power supply wire on joints L N E



Water pump wiring (Dry contact)

1. Open the cover of the electric box
2. With the connector 1 and 2 you can pilot the water filtration through the timer of the filtration (dry contact)

4.3 Connection to the filtration pump

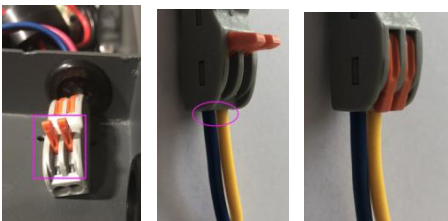
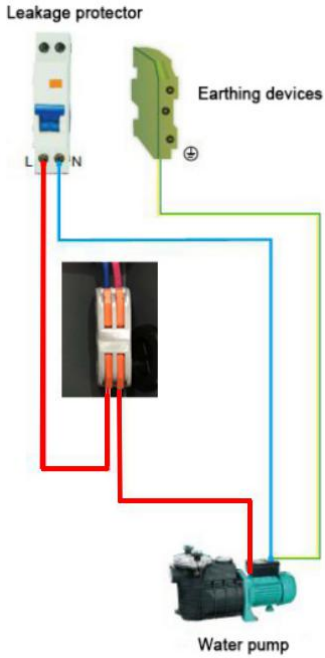


Photo 1

Photo 2

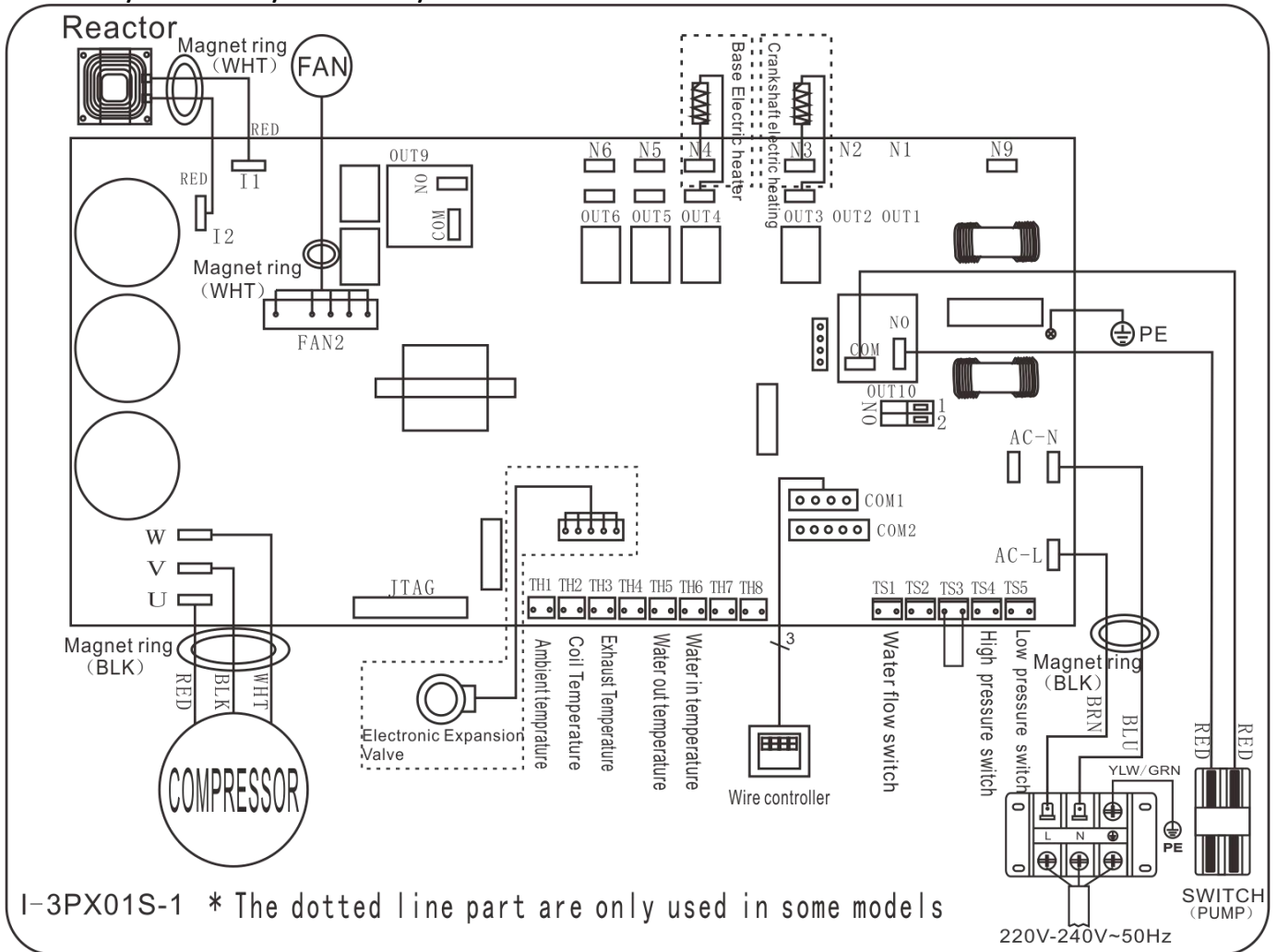
Photo 3

- Open the button upwards as (Photo 1)
- Attach the dry contact wiring through the two holes as (Photo 2 & Photo 4)
- Press the button and tighten the wiring as (Photo 3)



5. Electrical Wiring

5.1 SWIMMING POOL HEAT PUMP WIRING DIAGRAM VSP-10 / VSP-12 / VSP-15 / VSP-17



NOTE:

- (1) Above electrical wiring diagram only for your reference, it is subjected to the wiring diagram posted on the machine.
- (2) The swimming pool heat pump must be connected ground wire well, although the unit heat exchanger is electrically isolated from the rest of the unit. Grounding the unit is still required to protect you against short circuits inside the unit. Bonding is also required.

Disconnect: A disconnect means (circuit breaker, fused or un-fused switch) should be located within sight of and readily accessible from the unit. This is common practice on commercial and residential heat pumps. It prevents remotely-energizing unattended equipment and permits turning off power at the unit while the unit is being serviced.

5.2 Installation of the remote control

Photo(1)



Photo(2)



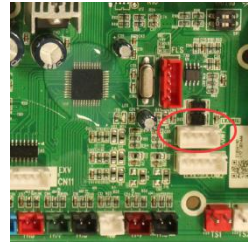
Photo(3)



Photo(4)



Photo(5)



- The side with plug connects with the control panel (photo1)
- The other side of the signal wire. (photo2)
- Open the wiring panel and put the side without plug through the electrical box. (photo3,4)
- Insert the wiring into the designated position (code:COM 1 or COM-L) on the PC board. (photo5)

6. Display Controller Operation


6.1 The buttons of LED wire controller





6.2 The keys and their operations


NOTE: Every time, when the heat pump connects to the power, the LED display shows a code for 3 seconds which indicates the heat pump model.

6.2.1 button

Press  to start the heat pump unit, the LED display shows the desired water temperature for 5 seconds, then shows the inlet water temperature and the operation mode.



Press  to stop the heat pump unit and show "OFF"

Notice : During the parameter checking and setting, press the  to quick-exit and save the current setting .



Press  again to turn on/off the machine.

6.2.2 and button

Clock/unlock the display:

Hold  and  for 5 seconds to lock/Unlock the display.



Water temperature setting :

Press  or  to set the water temperature directly.



Water temp. setting range in Heating mode :6-41 °C ,

6.2.3 button




Parameter checking :



Press  first, then press  to check the " User parameter from d0 to d11

Code	Condition	Scope	Remark
d0	IPM mould temperature	0-120°C	Real testing value
d1	Inlet water temp.	-9°C ~99°C	Real testing value
d2	Outlet water temp.	-9°C ~99°C	Real testing value
d3	Ambient temp.	-30°C ~70°C	Real testing value
d4	Frequency limitation code	0,1,2,4,8,16	Real testing value
d5	Piping temp.	-30°C ~70°C	Real testing value
d6	Gas exhaust temperature	0°C ~C5°C (125°C)	Real testing value
d7	Step of EEV	0~99	N*5
d8	Compressor running frequency	0~99Hz	Real testing value
d9	Compressor current	0~30A	Real testing value
d10	Current fan speed	0-1200 (rpm)	Real testing value
d11	Error code for last time	All error code	

Press  first, then press  to check the " User parameter from P0 to P7

If needed, press  second, then press  or  to adjust the current parameter.

(for example: Press  first, then press  to enter parameter P7 checking, and press  second, then press

 or  to adjust the parameter P7 Inlet water temp. Correction from -9 to 9.)

Code	Name	Scope	Default	Remark
P0	Manual defrost	0-1	0	1 Manual defrosting mode, 0 Normal mode
P1	Working mode	1	1	1 Heating mode (Non-adjustable)
P2	Timer on/off	0-1	0	1 Timer on/off is under function, 0 Timer on/off is out of function (The setting of P5 and P6 won't work)
P3	Water pump	0-1	0	1 Always running, 0 Depends on the running of compressor
P4	Current time	HH:MM	00: 00	<u>0-23:0-59</u>
P5	Timer on	HH:MM	00: 00	<u>0-23:0-59</u>
P6	Timer off	HH:MM	00: 00	<u>0-23:0-59</u>
P7	Inlet water temp. correction	-9~9	0	Default setting: 0

NOTE: Under defrosting mode, P0=1.

After defrosting finished, it will be automatic enter Normal mode, P0=0.

6.2.4 Heating priority (see the paragraph 6.9), option of connection

Option 1; P3=0 Filtration pump is related to heat pump operation to start and stop.

Filtration pump starts 60s before compressor, filtration pump start 30s and then the water flow switch detect flow. Before the heat pump enters into Standby mode, the compressor stops first and after 5 minutes filtration pump stops.

	Condition	Example	Water pump working logic	
Heating mode	P3=0, T1≥Tset-0.5°C, last for 30 minutes	P3=0, T1≥27.5°C, last for 30 minutes	1. Then it enters into standby mode for 1 hour (It will not restart except turn it on manually.)	2. After 1 hour, the filtration pump will restart for 5 minutes. If the T1≤27°C, the heat pump will start to work until T1≥27.5°C and last for 30 minutes to go into standby

Option 2; P3=1 Filtration pump is always on, P2=0 the timer function is no active

Under condition P3=1, when T1≥Tset+1°C (T1≥29°C) last for 3 minutes, heat pump will be in standby, while filtration pump is always on.



Under option 2, with activation of the timer; P2=1 to start and stop the filtration pump according the programming of the P4 (time), P5 (timer ON) and P6 (timer OFF)

Condition for the heat pump start, timer ON actives;

When the timer reaches the set time of **TIMER ON**, the filtration pump will start and after 5 minutes the heat pump start. The heat pump stays in stop if the water in temperature is ≥ Tset+1°C, before the **TIMER OFF**, the filtration is still activated.

Condition to stop the heat pump, timer OFF actives;

When the timer reaches the set time of the **TIMER OFF**, the heat pump will stop and after 5 minutes the filtration pump stops.

NB; Symbol of automatic **TIMER start** , the light will be on when it is in operation, symbol of automatic **TIMER stop** , the light will be on when it is in operation. Outside the time operation the display will be advise by OFF.

If heat pump is turned ON/OFF manually, the filtration pump will start and stop accordingly.

NOTE :


Tset = Tsetting water temperature

For example : Tset = 28°C Tsetting water temperature in your pool heat pump

Tset-0.5 = less 0.5°C than Tsetting temperature, Tset- 0.5 = 28-0.5=27.5°C

Tset+0.5= more 1°C than Tsetting temperature, Tset+ 0.5 = 28+0.5=28.5°C

6.2.5 System reset function


Press  and  in 10s, the system will reset and display “0000” on the controller.

6.2.6

Symbol of heating, the light will be on when it is in operation.
When defrosting, the light will flash.


6.2.7

Symbol of automatic stop, the light will be on when it is in operation.

Note: When parameter P6 is on checking/adjusting, Symbol of automatic stop light  will be flash.

6.2.8

Symbol of automatic start, the light will be on when it is in operation.

Note: When parameter P5 is on checking/adjusting, Symbol of automatic start light  will be flash.

6.2.9

Press this button, the light will be flash, the heat pump will operate in ‘Full output’ only.

6.2.10

While you choose the **Smart**, the heat pump will just operate in ‘Small output’, ‘Medium output’ and ‘Full output’
When in ‘Small output’, the lamp of Smart is lighting, the light of Silent will be flash.
When in ‘Medium output’, the light of Smart will flash.
When in ‘Full output’, the lamp of Smart is lighting, the lamp of Powerful will be flash.

6.2.11

While you choose the **Silent**, the heat pump will just operate in ‘Medium output’ and ‘Small output’
When in ‘Small output’, the light of Silent will flash.
When in ‘Medium output’, the lamp of Silent is lighting, the lamp of Smart will be flash

7. Troubleshooting

7.1 Error code display on LED wire controller

Malfunction	Error code	Reason	Solution
Inlet water temperature sensor failure d1-TH6	PP01	1. The sensor in open or short circuit 2. The wiring of sensor is loose	1. Check or change the sensor 2.Re-fix the wiring of the sensors
Outlet water temperature sensor failure d2-TH5	PP02	1. The sensor in open or short circuit 2. The wiring of sensor is loose	1. Check or change the sensor 2.Re-fix the wiring of the sensors
Heating piping sensor failure d5-TH2	PP03	1. The sensor in open or short circuit 2. The wiring of sensor is loose	1. Check or change the sensor 2.Re-fix the wiring of the sensors
Ambient temperature sensor failure d3-TH1	PP05	1. The sensor in open or short circuit 2. The wiring of sensor is loose	1. Check or change the sensor 2.Re-fix the wiring of the sensors
Exhaust piping sensor failure d6-TH3	PP06	1. The sensor in open or short circuit 2. The wiring of sensor is loose	1. Check or change the sensor 2.Re-fix the wiring of the sensors

Antifreeze protection in Winter	PP07	Ambient temperature or water inlet temperature is too low	<ol style="list-style-type: none"> 1. Check the d1((inlet water temp.) and d3(outlet water temp.) 2. Normal protection
Low ambient temperature protection	PP08	<ol style="list-style-type: none"> 1. Out of the normal operating ambient temperature for this machine by checking d3 2. Sensor abnormality d3-TH1 	<ol style="list-style-type: none"> 1. Stop using, beyond the scope of using 2.Change the sensor
High pressure failure TS4	EE01	<ol style="list-style-type: none"> 1. Ambient temperature is too high 2. Water temperature is too high 3. Water flow is too low 4. Fan motor speed is abnormal 5. Gas system jammed 6. High pressure wire is loose or damaged 7. Too much refrigerant 	<ol style="list-style-type: none"> 1. Choose the silent mode. 2. Check the water flow or filtration pump 3. Check and repair the refrigerating system 4. Reconnect the high pressure wire or replace a new high pressure switch 5. Check and repair the refrigerating system

Malfunction	Error code	Reason	Solution
Low pressure failure TS5	EE02	<ol style="list-style-type: none"> 1. EEV has blocked or pipe system is jammed 2. Fan motor speed is abnormal or fan motor is damaged under heating mode 3. Gas leakage 4. Low pressure wire is loose or damaged 	<ol style="list-style-type: none"> 1.Check the EEV and piping system 2. Check the fan motor under heating mode, replace a new one if it is abnormal 3. Check refrigeration system or check the pressure value through the high-pressure gauge. 4. Reconnect the low pressure wire or replace a new low pressure switch
Water flow failure TS1	EE03 Or "ON"	<ol style="list-style-type: none"> 1. The wiring of water flow switch is loose or water flow switch damaged 2. No/Insufficient water flow. 3. Flow switch mounted in the bad way. 	<ol style="list-style-type: none"> 1. Check the wiring of water flow switch or change a new one. 2. Check the filtration pump or the waterway system if there is air or jammed inside
Over heating protection for water temperature (d2- TH5) in heating mode	EE04	<ol style="list-style-type: none"> 1. Low water flow 2. Water flow switch is stuck and the water supply stops 3. d2- TH5 outlet water temperature sensor is abnormal 4. The difference of outlet water temperature and set temperature is 7°C or above in heating mode 	<ol style="list-style-type: none"> 1. Check the water flow switch if it works well 2. Check the filtration pump or the waterway system if there is air or jammed inside 3. Check d2- TH5 outlet water temperature sensor or replace a new one. 4. Change the set temperature.
d6-TH3 Exhaust too high protection	EE05	<ol style="list-style-type: none"> 1. Lack of gas 2. Low water flow 3. Piping system has been blocked 4. Exhaust temp. sensor failure d6-TH3 5. Ambient temperature is too high 	<ol style="list-style-type: none"> 1. Check the pressure gauge, and fill with some gas if it is lack of gas 2. Check the filtration pump or the waterway system if there is air or jammed inside 3. Check the piping system if there was any block 4. Change a new exhaust temp. sensor d6-TH3 5. Check whether the current ambient temp. and water temp. are beyond the running temp. of the machine
Controller failure	EE06	<ol style="list-style-type: none"> 1. Signal is not well connected or damaged 2. Controller failure 	<ol style="list-style-type: none"> 1. Stop the power supply and restart. 2. Re-connect the signal wire or replace a new one 3. Replace a new controller

Malfunction	Error code	Reason	Solution
Compressor current protection	EE07	<ol style="list-style-type: none"> 1. The compressor current is too large instantaneously 2. Wrong connection for compressor phase sequence 3. Compressor accumulations of liquid and oil lead to the current becomes larger 4. Compressor or driver board damaged 5. The water flow is abnormal 6. Power fluctuations within a short time 	<ol style="list-style-type: none"> 1. Check if the power in the normal range 2. Check the compressor 3. Check the compressor phase 4. Check the phase sequence connection 5. Check the waterway system and filtration pump 6. Check mains power input
Communication failure between controller and main board	EE08	<ol style="list-style-type: none"> 1. Signal wire is not well connected or damaged 2. Controller failure 3. Driving failure 	<ol style="list-style-type: none"> 1. Stop the power supply and restart. Re-connect the signal wire or replace a new one 2. Check the controller or replace a new one 3. Check the driving system or update it.
Communication failure between Main control board and Driving board	EE09	<ol style="list-style-type: none"> 1. Poor connection of communication wire 2. PCB failure 3. The wire is damaged 	<ol style="list-style-type: none"> 1. Stop the power supply and restart. 2. Reconnect the communication wire or replace a new one 3. Check the wirings according to the electric diagram 4. Replace a new PCB
VDC voltage too high protection	EE10	<ol style="list-style-type: none"> 1. Line voltage is too high 2. Driver board is damaged. 	<ol style="list-style-type: none"> 1. Check whether the power supply is normal 2. Change driver board or main board
IPM module protection	EE11	<ol style="list-style-type: none"> 1. Data mistake 2. Wrong compressor phase connection 3. Compressor liquid and oil accumulation lead to the current becomes larger 4. Poor heat dissipation of drive module or high ambient temperature 5. Compressor or driver board damaged 	<ol style="list-style-type: none"> 1. Program error, turn off electricity supply and restart after 3 minutes 2. Check compressor sequence connection 3. Check the pressure of system by pressure gauge 4. Check if the ambient and water temperature is over high 5. If it is the refrigeration system failure, send it to the service center 6. Change driver board
VDC voltage too low protection	EE12	<ol style="list-style-type: none"> 1. Mother line voltage is too low 2. Driver board is damaged. 	<ol style="list-style-type: none"> 1. Check if the power supply is in the normal range 2. Change driver board
Malfunction	Error code	Reason	Solution
Input current over high protection.	EE13	<ol style="list-style-type: none"> 1. The compressor current is too large momentary 2. The water flow is abnormal 3. Power fluctuations within a short time 4. Wrong reactor 	<ol style="list-style-type: none"> 1. Check the compressor if it works normally 2. Check the waterway system 3. Check if the power is in the normal range 4. Check if the reactor is used correctly.

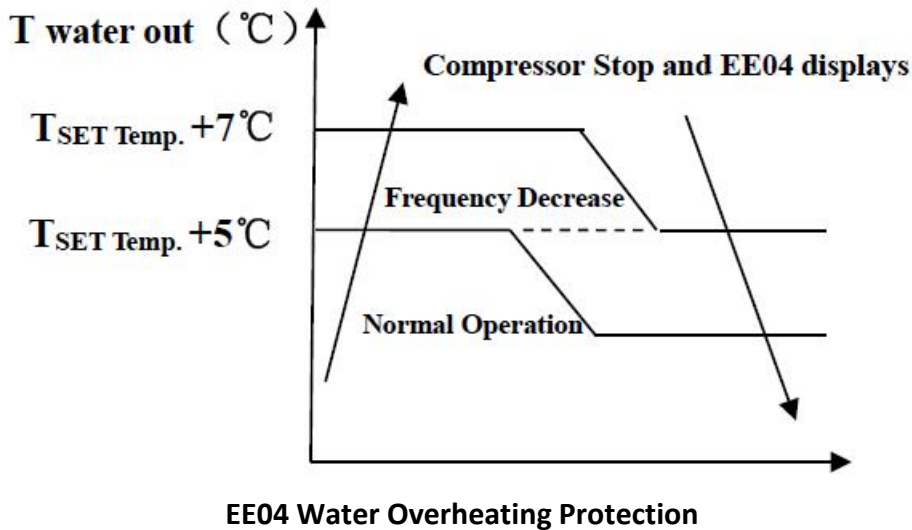
IPM module thermal circuit is abnormal	EE14	<ol style="list-style-type: none"> 1. Output abnormality of IPM module thermal circuit 2. Fan motor is abnormal or damaged 3. Fan blade is broken 	<ol style="list-style-type: none"> 1. Check if the motor speed is too low or fan motor is damaged, replace it by a new one. 2. Replace a new driver board 3. Change the fan blade if it is broken
IPM module temperature too high protection	EE15	<ol style="list-style-type: none"> 1. Output exception of IPM module thermal circuit 2. Fan motor is abnormal or damaged 3. Fan blade is broken 4. The screw on driver board is loose 	<ol style="list-style-type: none"> 1. Check the main board or replace the driver board 2. Check if the motor speed is too low or fan motor is damaged, replace it by a new one if any failure. 3. Change the fan blade if it is broken 4. Check the screw on driver board
PFC module protection	EE16	<ol style="list-style-type: none"> 1. Output exception of PFC module 2. Fan motor is abnormal or damaged 3. Fan blade is broken 4. Input voltage leap, input power is abnormal 	<ol style="list-style-type: none"> 1. Check the main board or replace the driver board 2. Check if the motor speed is too low or fan motor is damaged, replace it by a new one. 3. Change the fan blade 4. Check the input voltage
DC fan motor failure	EE17	<ol style="list-style-type: none"> 1. DC motor is damaged 2. For the tri-phase check if the neutral is connected 3. Main board is damaged 4. The fan blade is stuck 	<ol style="list-style-type: none"> 1. Detect DC motor for mono phase machine, replace a new one if any failure 2. Check the wiring connection for tri-phase machine 3. Check the board, replace a new driver board or main board if any failure 4. Check if there is any barrier in front of fan blade and remove it
PFC module thermal circuit is abnormal	EE18	The driver board is damaged	<ol style="list-style-type: none"> 1. Check if the motor speed is too low or fan motor is damaged, replace it by a new one. 2. Change a new driver board

Malfunction	Error code	Reason	Solution
PFC module high temperature protection	EE19	<ol style="list-style-type: none"> 1. PFC module thermal circuit output abnormal 2. Fan motor is abnormal or damaged 3. Fan blade is broken 4. The screw in the driver board is not tight 	<ol style="list-style-type: none"> 1. Check the main board or replace the driver board 2. Check if the motor speed is too low or fan motor is damaged, replace it by a new one if any failure. 3. Change the fan blade if it is broken 4. Check the screw on driver board
Input power failure	EE20	The supply voltage fluctuates too much	Check whether the voltage is stable
Software control exception	EE21	<ol style="list-style-type: none"> 1. Compressor runs out of step 2. Wrong program 3. Impurity inside compressor causes the unstable rotate speed 	<ol style="list-style-type: none"> 1. Check the main board or change a new one 2. Update the correct program 3. Check the refrigeration system

Current detection circuit failure	EE22	1. Voltage signal abnormal 2. Driver board is damaged 3. Main board failure	1. Change a new main board 2. Change a new driver board
Compressor start failure	EE23	1. Main board is damaged 2. Compressor wiring error or poor contact or unconnected 3. Liquid accumulation inside 4. Wrong phase connection for compressor	1. Check the main board or change a new one 2. Check the compressor wiring according to the circuit diagram 3. Check the compressor or change a new one
Ambient Temperature device failure on Driver board	EE24	Ambient Temperature device failure	Change driver board or main board
Compressor phase failure	EE25	Compressors U, V, W are just connected to one phase or two phases.	Check the actual wiring according to the circuit diagram
EEPROM data read malfunction	EE27	1. Wrong EEPROM data in the program or failed input of EEPROM data 2. Main board failure	1. Re-enter correct EEPROM data 2. Change a new main board
The inter-chip communication failure on the main control board	EE28	Main board failure	1. Stop electricity supply and restart it 2. Change a new main board

Remarks:

1. In heating mode, if the water out temperature is higher than the set temperature over 7°C, LED controller displays EE04 for water over-heating protection.



For example as below:

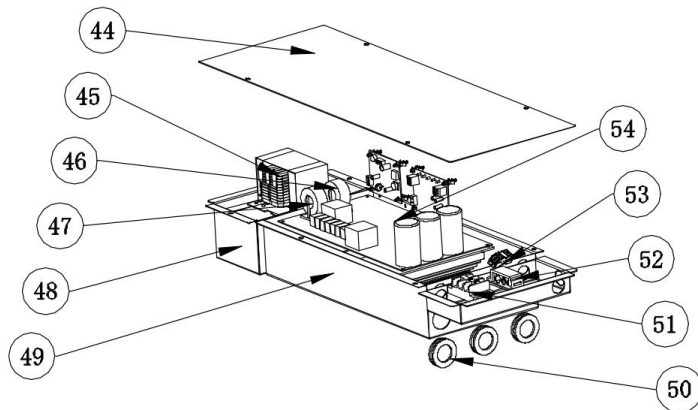
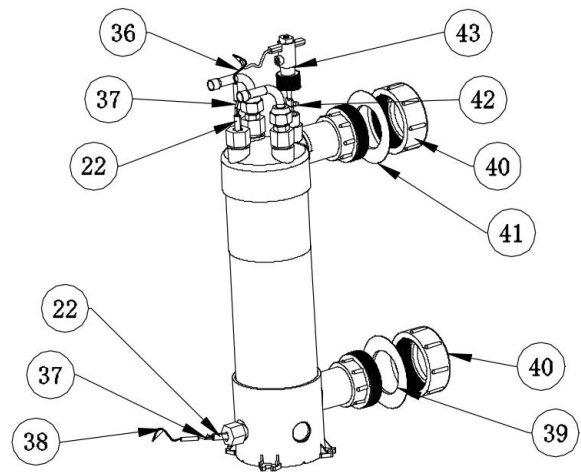
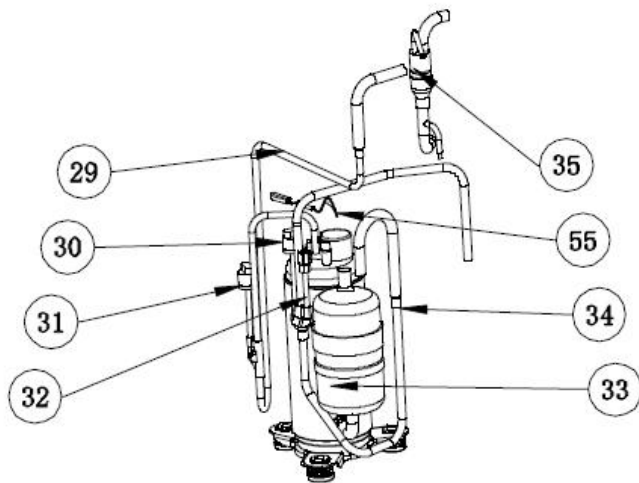
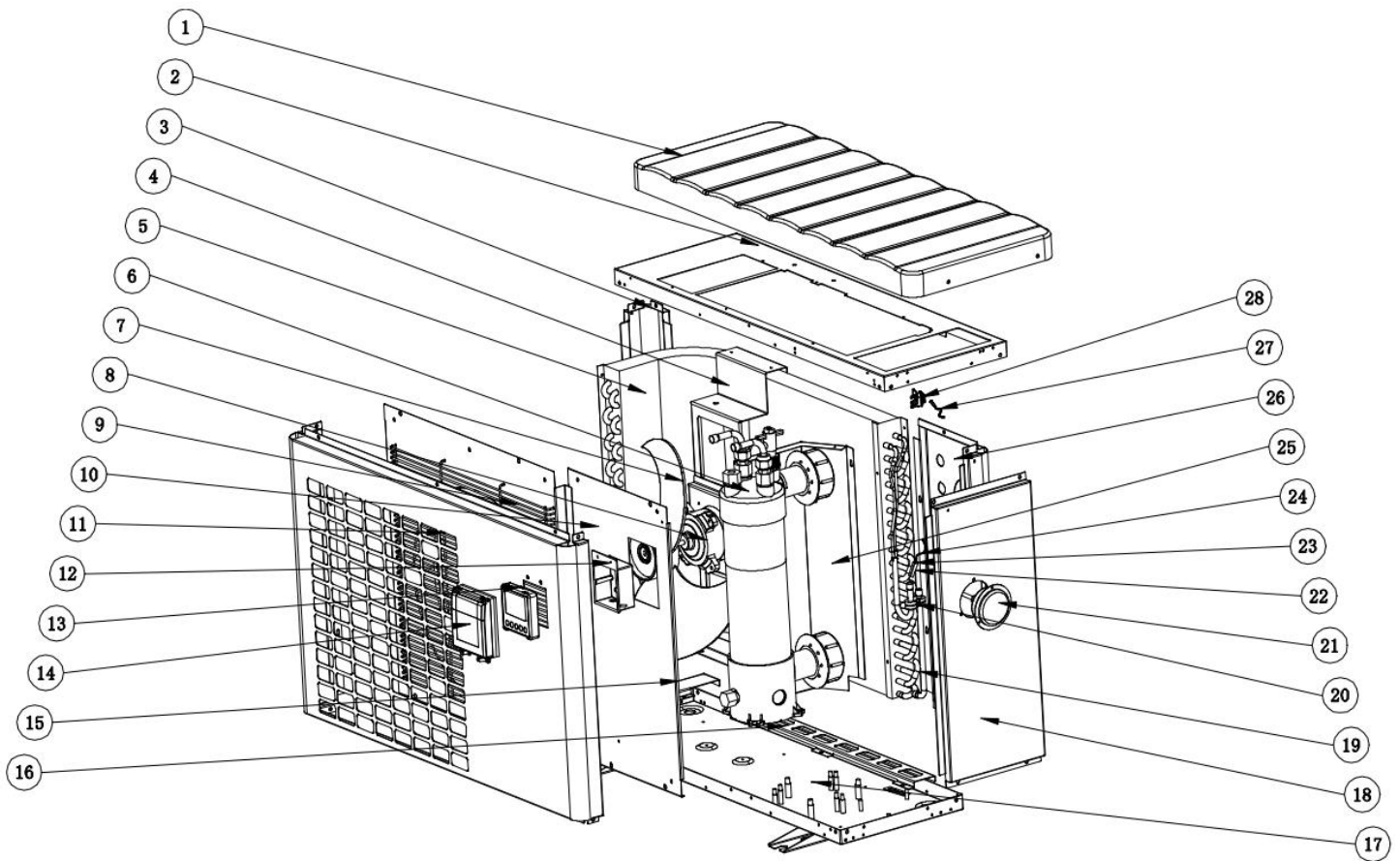
Mode	Output water temperature	Set point temperature	Condition	Malfunction
Heating mode	36°C	29°C	$T_{out} - T_{set} \geq 7^{\circ}\text{C}$	EE04 Overheating protection for water temperature (d2-TH5)

7.2 Other Malfunctions and Solutions (No display on LED wire controller)

Malfunctions	Observing	Reasons	Solution
Heat pump is not running	LED wire controller no display.	No power supply	Check cable and circuit breaker if it is connected
	LED wire controller displays the actual time.	Heat pump under standby status	Startup heat pump to run.
	LED wire controller displays the actual water temperature.	<ol style="list-style-type: none"> 1. Water temperature is reaching to setting value, HP under constant temperature status. 2. Heat pump just starts to run. 3. Under defrosting. 	<ol style="list-style-type: none"> 1. Verify water temperature setting. 2. Startup heat pump after a few minutes. 3. LED wire controller should display "Defrosting".
Short running	LED displays actual water temperature, no error code displays.	<ol style="list-style-type: none"> 1. Fan NO running. 2. Air ventilation is not enough. 3. Refrigerant is not enough. 	<ol style="list-style-type: none"> 1. Check the cable connections between the motor and fan, if necessary, it should be replaced. 2. Check the location of heat pump unit, and eliminate all obstacles to make good air ventilation. 3 Replace or repair the heat pump unit.
water stains	Water stains on heat pump unit.	<ol style="list-style-type: none"> 1. Concreting. 2. Water leakage. 	<ol style="list-style-type: none"> 1. No action. 2. Check the titanium heat exchanger carefully if it is any defect.
Too much ice on evaporator	Too much ice on evaporator.		<ol style="list-style-type: none"> 1. Check the location of heat pump unit, and eliminate all obstacles to make good air ventilation. 2. Replace or repair the heat pump unit.

8. Exploded Diagram

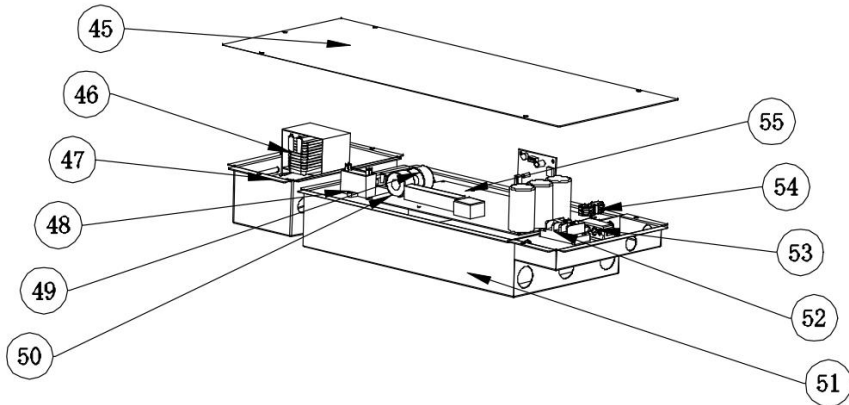
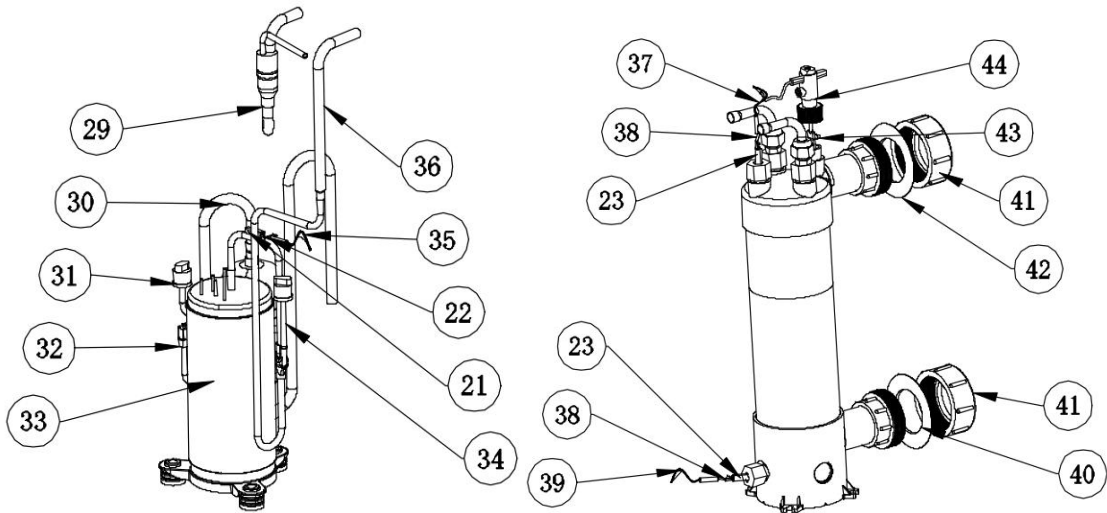
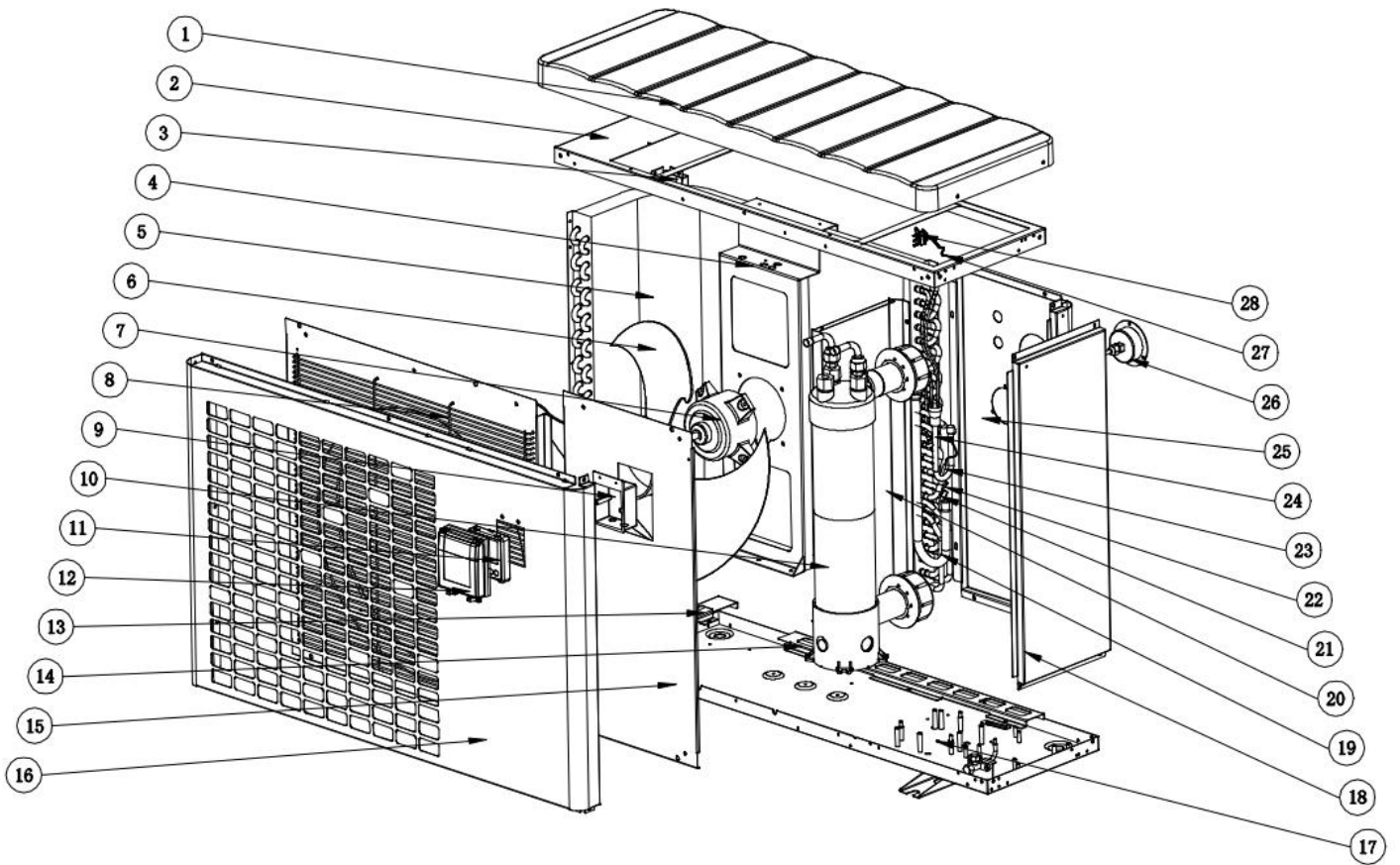
Model: VSP-10



Spare parts list: VSP-10

NO	ERP	Spare parts	NO	ERP	Spare parts
1	133340015	Top cover	29	113020611	Discharge pipe
2	108830029	Top frame	30	112100046	Low pressure switch
3	108830055	Pillar	31	112100030	High pressure switch
4	108830006	Fan motor bracket	32	120000098	Gas valve
5	103000271	Evaporator	33	101000221	Compressor
6	102040856	Titanium heat exchanger	34	113020565	Gas return piping
7	113600007	Fan blade	35	113090091	Exchanger to Capillary
8	112000041	Fan motor	36	117110012	Water inlet temp. sensor TH6
9	108830057	Front panel assembly	37	108010025	Exchanger temperature sensor clip
10	108830024	Maintenance panel	38	117110011	Water outlet temp. sensor TH5
11	108830060	Front panel	39	133020011	Blue rubber ring
12	133030011	Controller box	40	113900082	Water connection sets
13	117020244	Controller	41	133020012	Red rubber ring
14	113712007	Controller cover	42	133020026	Rubber ring on water connection
15	108830004	Evaporator pad	43	112100021-1	Water flow switch
16	108830005	Evaporator pad	44	108830031	Electric box cover
17	108830017	Base tray	45	117230003	Reactor
18	108830059	Right panel	46	117240002	Magnet ring
19	103000271	Evaporator pipe	47	117240003	Magnet ring
20	136020018	Rubber block	48	108830026	Reactor box
21	106000011	Pressure gauge	49	108830030	Electric box
22	113190001	Clip	50	136020119	Rubber ring
23	113190007	Sensor holder	51	115000002	3-ways terminal block
24	117110004	Evaporator temperature sensor TH2	52	136010004	Clip
25	108830003	Isolation panel	53	115000060	2-ways terminal block
26	108830056	Back panel	54	117100069	PCB
27	117110020	Ambient temp. sensor TH1	55	117110021	Discharge temp. sensor TH3
28	133020010	Ambient temp. sensor clip			

Model: VSP-12 / VSP-15 / VSP-17



Spare parts list: VSP-12

NO	ERP	Spare parts	NO	ERP	Spare parts
1	133300019	Top cover	29	113090087	Exchanger to Capillary
2	108790071	Top frame	30	113020544	Gas return piping
3	108790107	Pillar	31	112100046	Low pressure switch
4	108790027	Fan motor bracket	32	120000097	Gas valve
5	103000283	Evaporator	33	101000222	Compressor
6	132000015	Fan blade	34	112100030	High pressure switch
7	112000031	Fan motor	35	117110061	Discharge temp. sensor TH3
8	108790127	Front panel assembly	36	113010392	Discharge pipe
9	133030011	Wire control box	37	117110012	Water inlet temp. sensor TH6
10	102040861	Titanium heat exchanger	38	108010025	Exchanger temperature sensor clip
11	117020244	Controller	39	117110011	Water outlet temp. sensor TH5
12	133020061	Waterproof box	40	133020011	Blue rubber ring
13	108790025	Evaporator pad	41	102050004	Water connection sets
14	108790026	Evaporator pad	42	133020012	Red rubber ring
15	108790081	Maintenance panel	43	133020026	Rubber ring on water connection
16	108790106	Front panel	44	112100021-1	Water flow switch
17	108790101	Base tray	45	108790072	Electric box cover
18	108790109	Right panel	46	117230003	Reactor
19	103000283	Evaporator pipe	47	108790073	Reactor box
20	108790024	Clapboard	48	111000006	Fan capacitor
21	113190001	Clip	49	117240002	Magnet ring
22	113190007	Sensor holder	50	117240003	Magnet ring
23	117110050	Evaporator temperature sensor TH2	51	108790075	Reactor box
24	103000283	Distribution piping	52	115000002	3-ways terminal block
25	108790108	Back panel	53	136010004	Clip
26	106000011	Pressure gauge	54	115000060	2-ways terminal block
27	117110020	Ambient temp. sensor TH1	55	117100069	PCB
28	133020010	Ambient temp. sensor clip			

Spare parts list: VSP-15

NO	ERP	Spare parts	NO	ERP	Spare parts
1	133300019	Top cover	29	113090087	Exchanger to Capillary
2	108790071	Top frame	30	113020544	Gas return piping
3	108790107	Pillar	31	112100046	Low pressure switch
4	108790027	Fan motor bracket	32	120000097	Gas valve
5	103000290	Evaporator	33	101000222	Compressor
6	132000015	Fan blade	34	112100030	High pressure switch
7	112000031	Fan motor	35	117110061	Discharge temp. sensor TH3
8	108790127	Front panel assembly	36	113010392	Discharge pipe
9	133030011	Wire control box	37	117110012	Water inlet temp. sensor TH6
10	102040865	Titanium heat exchanger	38	108010025	Exchanger temperature sensor clip
11	117020244	Controller	39	117110011	Water outlet temp. sensor TH5
12	133020061	Waterproof box	40	133020011	Blue rubber ring
13	108790025	Evaporator pad	41	102050004	Water connection sets
14	108790026	Evaporator pad	42	133020012	Red rubber ring
15	108790081	Maintenance panel	43	133020026	Rubber ring on water connection
16	108790106	Front panel	44	112100021-1	Water flow switch
17	108790101	Base tray	45	108790072	Electric box cover
18	108790109	Right panel	46	117230003	Reactor
19	103000290	Evaporator pipe	47	108790073	Reactor box
20	108790024	Clapboard	48	111000006	Fan capacitor
21	113190001	Clip	49	117240002	Magnet ring
22	113190007	Sensor holder	50	117240003	Magnet ring
23	117110050	Evaporator temperature sensor TH2	51	108790074	Reactor box
24	103000290	Distribution piping	52	115000002	3-ways terminal block
25	108790108	Back panel	53	136010004	Clip
26	106000011	Pressure gauge	54	115000060	2-ways terminal block
27	117110020	Ambient temp. sensor TH1	55	117100069	PCB
28	133020010	Ambient temp. sensor clip			

Spare parts list: VSP-17

NO	ERP	Spare parts	NO	ERP	Spare parts
1	133300019	Top cover	29	113090087	Exchanger to Capillary
2	108790071	Top frame	30	113020581	Gas return piping
3	108790107	Pillar	31	112100046	Low pressure switch
4	108790027	Fan motor bracket	32	120000097	Gas valve
5	103000291	Evaporator	33	101000181	Compressor
6	132000015	Fan blade	34	112100030	High pressure switch
7	112000031	Fan motor	35	117110061	Discharge temp. sensor TH3
8	108790127	Front panel assembly	36	113020625	Discharge pipe
9	133030011	Wire control box	37	117110012	Water inlet temp. sensor TH6
10	102040999	Titanium heat exchanger	38	108010025	Exchanger temperature sensor clip
11	117020244	Controller	39	117110011	Water outlet temp. sensor TH5
12	133020061	Waterproof box	40	133020011	Blue rubber ring
13	108790025	Evaporator pad	41	102050004	Water connection sets
14	108790026	Evaporator pad	42	133020012	Red rubber ring
15	108790081	Maintenance panel	43	133020026	Rubber ring on water connection
16	108790106	Front panel	44	112100021-1	Water flow switch
17	108790093	Base tray	45	108790072	Electric box cover
18	108790109	Right panel	46	117230003	Reactor
19	103000291	Evaporator pipe	47	108790073	Reactor box
20	108790024	Clapboard	48	111000006	Fan capacitor
21	113190001	Clip	49	117240002	Magnet ring
22	113190007	Sensor holder	50	117240003	Magnet ring
23	117110050	Evaporator temperature sensor TH2	51	108790074	Reactor box
24	103000291	Distribution piping	52	115000002	3-ways terminal block
25	108790108	Back panel	53	136010004	Clip
26	106000011	Pressure gauge	54	115000060	2-ways terminal block
27	117110020	Ambient temp. sensor TH1	55	117100069	PCB
28	133020010	Ambient temp. sensor clip			

9.Maintenance

Warning !

-Before any maintenance work on the appliance, you must cut the electricity supply as there is a risk of electric shock which may cause material damage, serious injury or even death.

- It is recommended that the appliance undergo general servicing at least on a yearly basis to ensure its proper operation, maintain performance levels and prevent any possible failures. These operations are carried out at the user's expense, by a qualified technician. For maintenance to be carried out by a qualified technician.

-For maintenance to be carried out by a qualified technician, please read the safety instructions in the previous pages provided in the chapter entitled "maintenance: warnings concerning appliances containing R32 refrigerant" before performing any of the maintenance operations described below.

(1) You should check the water supply system regularly to avoid the air entering the system and occurrence of low water flow, because it would reduce the performance and reliability of HP unit.

(2) Clean your pools and filtration system regularly to avoid the damage of the unit as a result of the dirty or clogged filter.

(3) In another way, you should check the unit is water fully before the unit starts to run again.

(4) After the unit is conditioned for the winter season, it is recommended to cover the heat pump with special winter cover.

(5) When the unit is running, there is all the time a little water discharge under the unit.

(6) Please always empty the water in heat pump during winter time or when the ambient temperature drops below 0°C, or else the Titanium exchanger will be damaged because of being frozen, in such case, your warranty will be lost.

VSP INVERTER +7°C

Bomba de calor para Piscina

ÍNDICE

- 1.Especificaciones
- 2.Dimensión
- 3.Instalación y conexión
- 4.Accesorios
- 5.Cableado eléctrico
- 6.operación del controlador de pantalla
- 7.Resolución de problemas
- 8.Diagrama de explosión
- 9.mantenimiento

Gracias por usar nuestra bomba de calor para calentar la piscina, calentará el agua de su piscina y mantendrá la temperatura constante cuando la temperatura ambiente del aire esté entre +7 y 43 °C



ATENCIÓN: Este manual contiene toda la información necesaria.

- El instalador debe leer el manual y seguir atentamente las instrucciones de instalación y mantenimiento. Conserve y entregue este manual para más adelante durante la vida útil del aparato.
- El instalador es responsable de la instalación del producto y debe seguir todas las instrucciones del fabricante y las normativas vigentes. La instalación incorrecta según el manual implica la exclusión de toda la garantía.
- El fabricante declina cualquier responsabilidad por los daños causados a las personas, objetos y de los errores debidos a la instalación que desobedezca la guía manual. Cualquier uso que no sea de conformidad en el origen de su fabricación se considerará peligroso.

1.Ficha Técnica

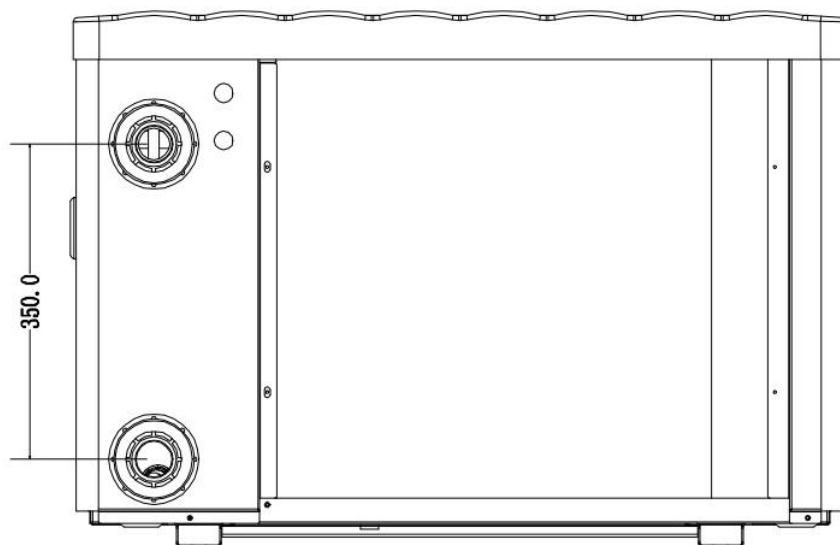
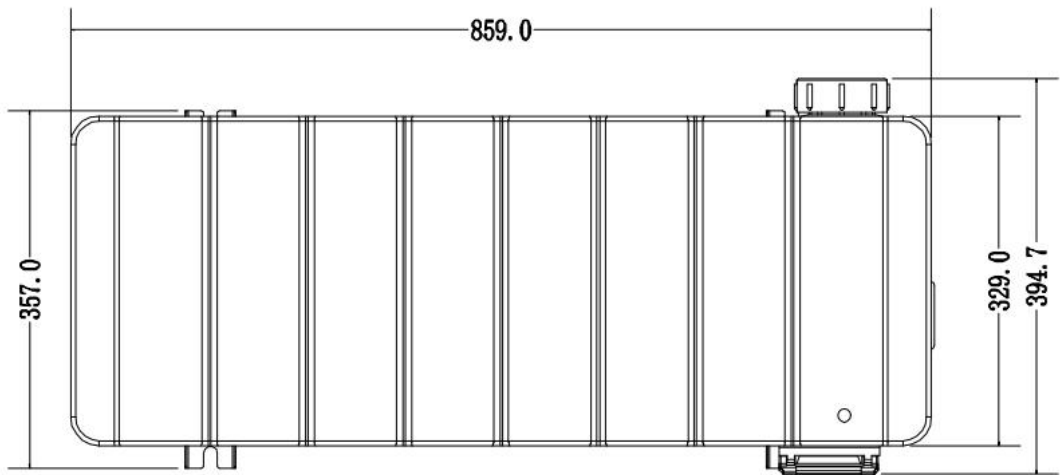
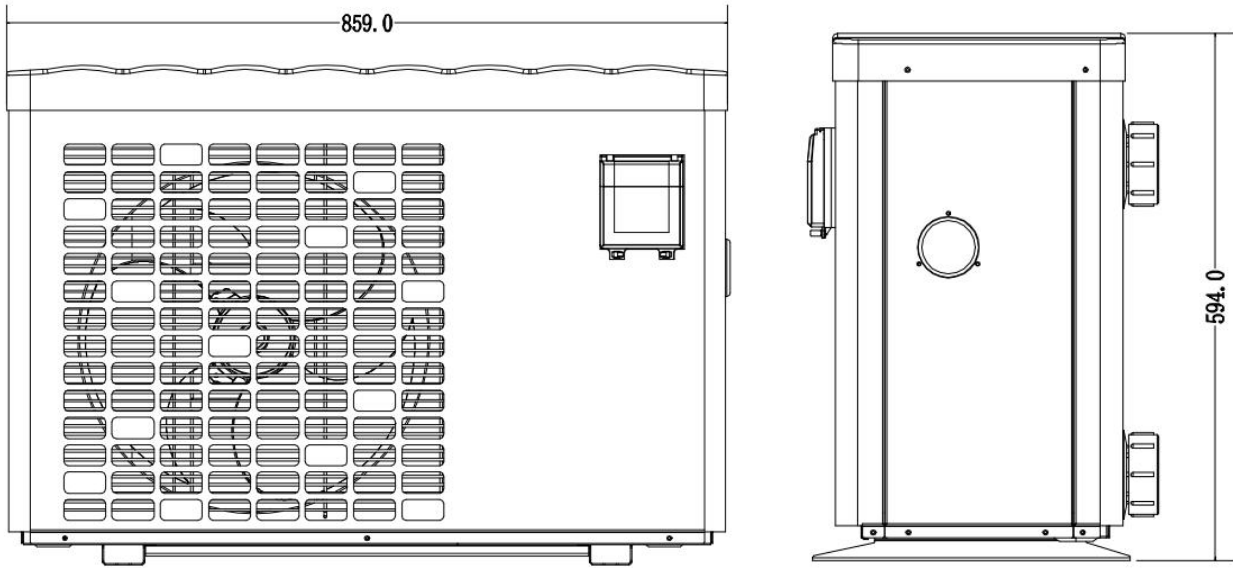
Datos técnicos

Model		74148	74149	74150	74151
Code		VSP-10	VSP-12	VSP-15	VSP-17
* Rendimiento en aire 28 °C, agua 28 °C, humedad 80%					
Potencia de calentamiento	kW	10-2.3	12-2.9	15-3.2	17-3.8
Consumo de potencia	kW	1.55-0.14	1.77-0.18	2.26-0.2	2.67-0.23
C.O.P.		16-6.5	16-6.8	16-6.6	16-6.4
* Performance at Air 15°C, Water 26°C, Humidity 70%					
Potencia de calentamiento	kW	7-1.9	8.5-2	10-2.2	12-3
Consumo de potencia	kW	1.43-0.27	1.72-0.28	2.07-0.31	2.43-0.42
C.O.P.		7.1-4.9	7.2-4.9	7.2-4.8	7.2-4.9
* Informacion General					
Tipo de compresor		Inverter Compressor			
Voltaje	V	220~240V / 50Hz / 1PH			
Corriente nominal/ distinguir corrientes nomin/ máx	A	6.9	7.9	10.0	11.8
Fusible mínimo	A	10	12	15	18
Caudal de agua óptimo	m ³ /h	2.8	3.7	4.0	4.6
Caída de presión de agua	Kpa	12	14	15	15
Intercambiador de calor		Twist-titanium tube in PVC			
Conexión de agua	mm	50			
Fan quantity		1			
Ventilation type		Horizontal			
Nivel de ruido (10m)	dB(A)	22-34	23-35	23-37	24-37
Nivel de ruido (1m)	dB(A)	40-52	40-52	40-54	41-54
Cantidad de refrigerante(R32)	g	650	700	1000	1100
CO2 equivalente	Tonne	0.44	0.47	0.68	0.74
* Dimension/ Weight					
Peso neto	kg	56	68	73	78
Peso bruto	kg	68	73	78	83
Dimensión neta	mm	859*394.7*594	987*418.7*693.5		
Dimensión de embalaje	mm	890*425*630	1015*445*715		

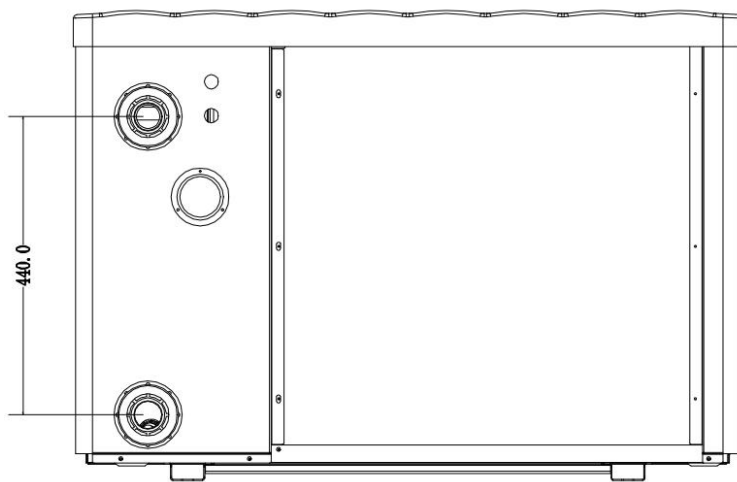
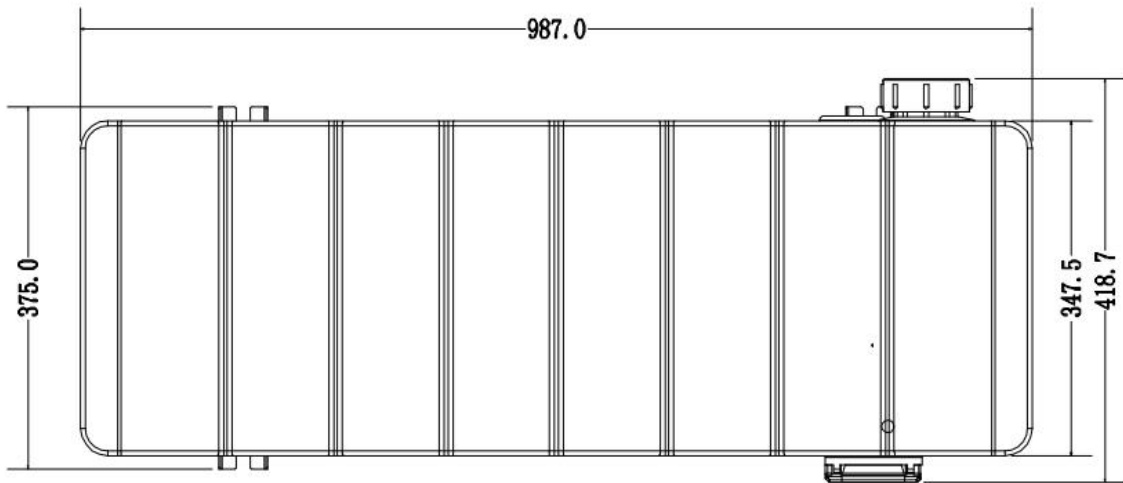
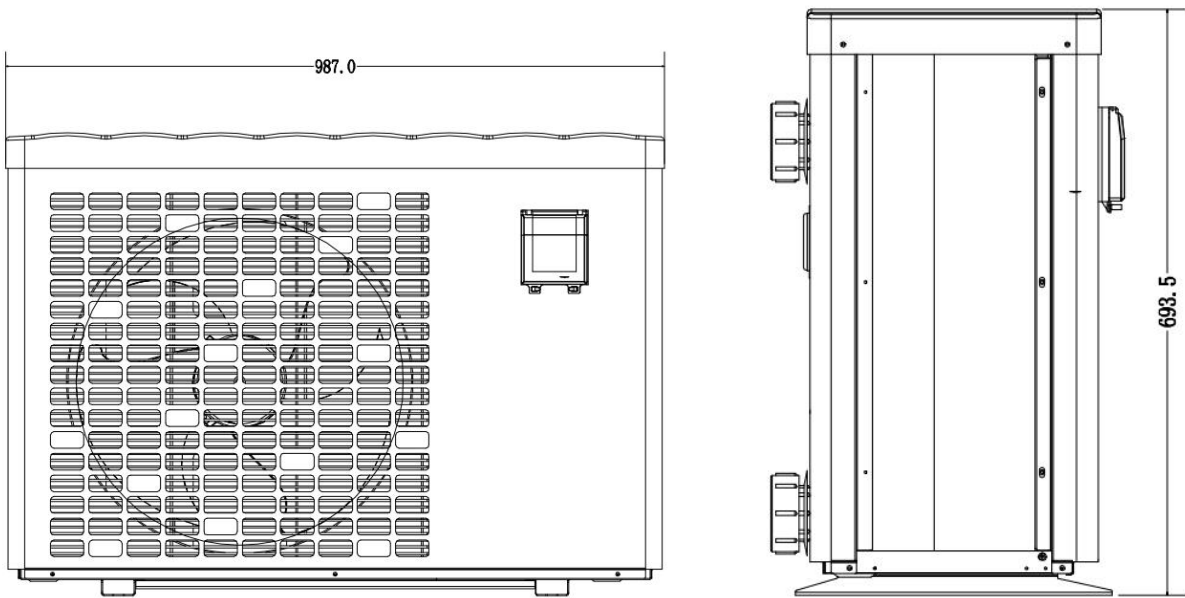
* Above data is subject to update without prior notice.

2. Dimensión (mm)

Model: VSP-10



Model:VSP-12 & VSP-15 & VSP-17



3. Instalación y conexión

3.1 Notas

La fábrica sólo suministra la bomba de calor. Todos los demás componentes, incluido un bypass si es necesario, deben ser proporcionados por el usuario o el instalador.

Atención:

Observe las siguientes reglas al instalar la bomba de calor:

1. Cualquier adición de productos químicos debe realizarse en la tubería ubicada aguas abajo de la bomba de calor.
2. Instale una derivación si el flujo de agua de la bomba de la piscina es más de un 20% mayor que el flujo permitido a través del intercambiador de calor de la bomba de calor.
3. Coloque siempre la bomba de calor sobre una base sólida y utilice los soportes de goma incluidos para evitar vibraciones y ruidos.

Mantenga siempre la bomba de calor en posición vertical. Si la unidad se mantuvo en ángulo, espere al menos 24 horas antes de encender la bomba de calor.

3.2 Ubicación de la bomba de calor

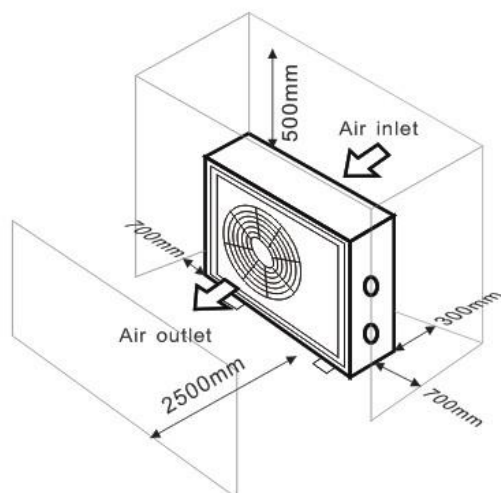
La unidad funcionará correctamente en cualquier lugar siempre que los siguientes tres elementos estén presentes:

- 1. Aire fresco** – **2. Electricidad** – **3. Filtros para piscinas**

La unidad se puede instalar prácticamente en cualquier lugar al aire libre, siempre y cuando se mantengan las distancias mínimas especificadas a otros objetos (vea el dibujo de abajo). Por favor, consulte a su instalador para la instalación en una piscina cubierta. La instalación en un lugar ventoso no presenta ningún problema, a diferencia de un calentador de gas.

ATENCIÓN: Nunca instale la unidad en una habitación cerrada con un volumen de aire limitado en el que se volverá a utilizar el aire expulsado de la unidad, o cerca de arbustos que podrían bloquear la entrada de aire. Tales ubicaciones perjudican el suministro continuo de aire fresco, lo que implicará una reducción de la eficiencia y, posiblemente, reducción de la producción de calentamiento.

Ver el dibujo de abajo para las dimensiones mínimas.



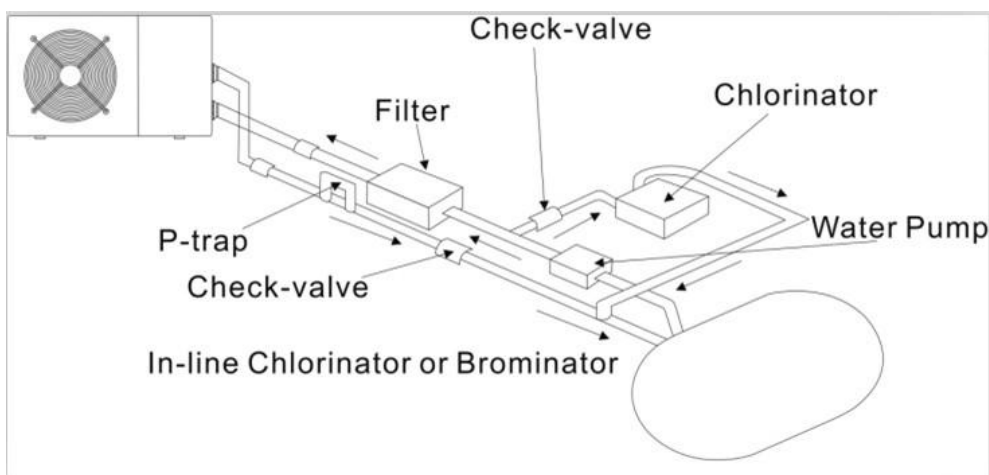
3.3 Distancia de su piscina

La bomba de calor se instala normalmente dentro de un área perimetral que se extiende a 7,5 m de la piscina. Cuanto mayor sea la distancia de la piscina, mayor será la pérdida de calor en las tuberías. Como las tuberías son en su mayoría subterráneas, la pérdida de calor es baja para distancias de hasta 30 m (15 m desde y hacia la bomba; 30 m en total) a menos que el suelo esté húmedo o el nivel del agua subterránea sea alto. Una estimación aproximada de la pérdida de calor por 30 m es de 0,6 kWh (2000 BTU) por cada 5 ° C de diferencia entre la temperatura del agua de la piscina y la temperatura del suelo que rodea la tubería. Esto aumenta el tiempo de funcionamiento entre un 3% y un 5%.

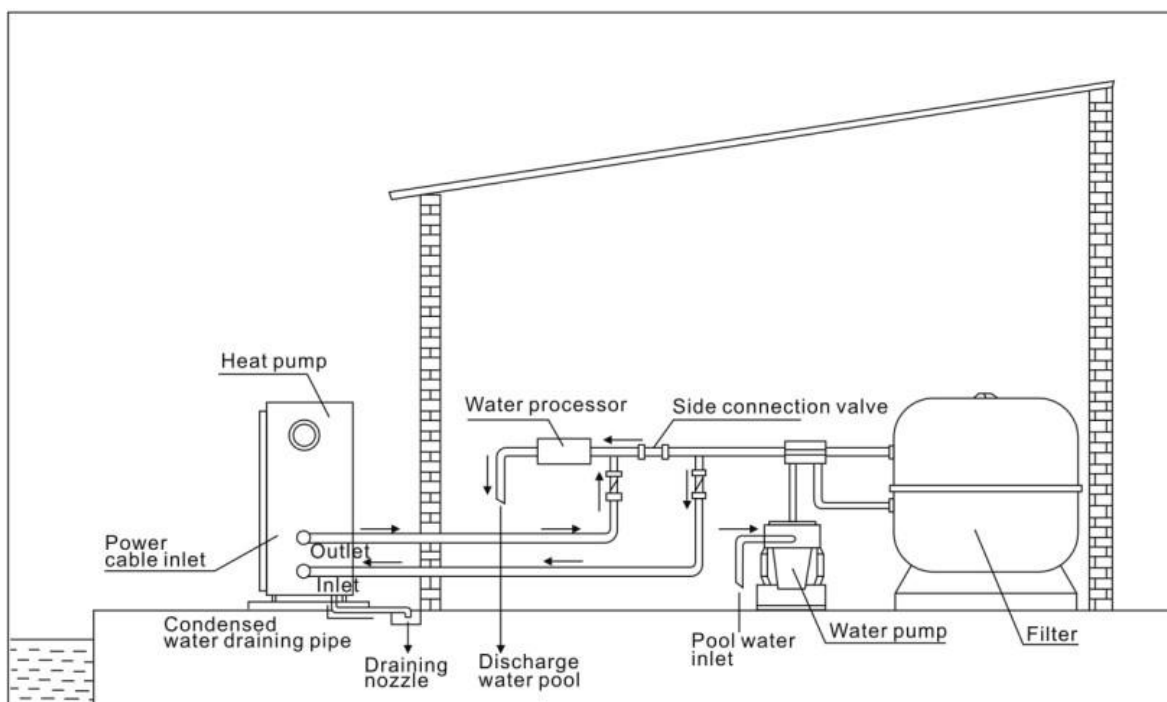
3.4 Comprobar la válvula de la instalación

Nota: Si se utiliza un equipo de dosificación automática para el cloro y la acidez (pH), es esencial proteger la bomba de calor contra concentraciones químicas excesivamente altas que puedan corroer el intercambiador de calor. Por esta razón, un equipo de este tipo siempre debe instalarse en la tubería aguas abajo de la bomba de calor, y se recomienda instalar una válvula de retención para evitar el flujo inverso en la ausencia de circulación del agua. El daño a la bomba de calor causado por el incumplimiento de esta instrucción no está cubierto.

por la garantía.

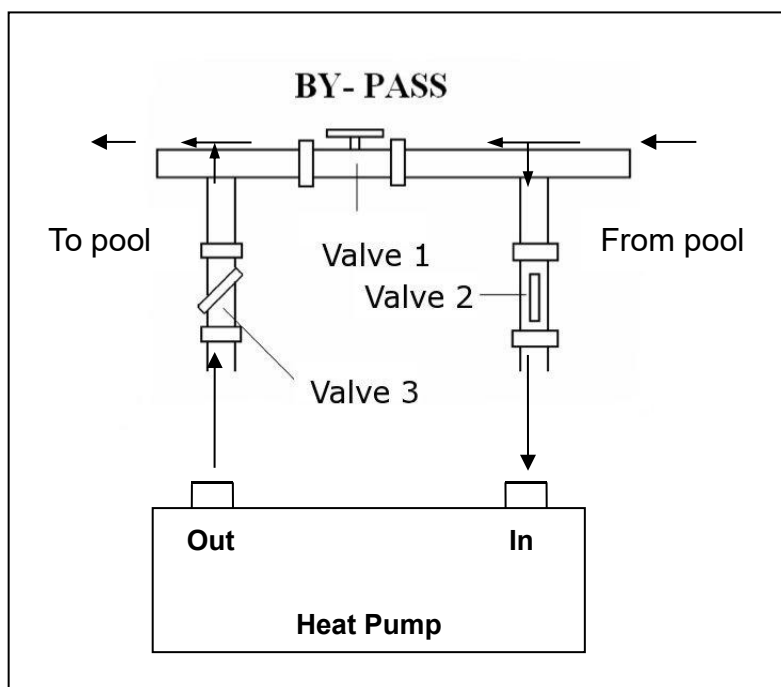


3.5 Disposición típica



Nota: esta disposición es solo un ejemplo ilustrativo.

3.6 Ajustar el bypass



Utilice el siguiente procedimiento para ajustar la derivación:

1. Válvula 1 completamente abierta. Válvula 2 y válvula 3 cerradas.
2. Abra lentamente la válvula 2 y la válvula 3 a la mitad, luego cierre la válvula 1 lentamente para aumentar el flujo de agua hacia la válvula 2 y la válvula 3.
3. Si muestra "ON" o "EE3" en la pantalla, significa que el flujo de agua a la bomba de calor no es suficiente, entonces necesita ajustar las válvulas para aumentar el flujo de agua a través de la bomba de calor.

Cómo obtener el flujo de agua óptimo:

Encienda la bomba de calor en función de calefacción, primero cierre el by-pass y luego ábralo lentamente para encender la bomba de calor (la máquina no puede comenzar a funcionar cuando el flujo de agua es insuficiente).

Continúe ajustando la derivación, mientras tanto para verificar la temperatura del agua de entrada. & Temperatura del agua de salida, será óptima cuando la diferencia sea de alrededor de 2 grados.

3.7 Conexión eléctrica

Nota: Aunque la bomba de calor está aislada eléctricamente del resto del sistema de la piscina, esto solo evita el flujo de corriente eléctrica hacia o desde el agua de la piscina. Aún se requiere conexión a tierra para protección contra cortocircuitos dentro de la unidad. Siempre proporcione una buena conexión a tierra.

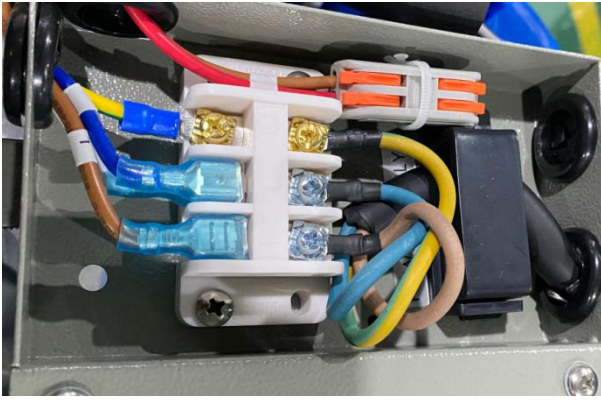
Advertencia: Antes de cualquier trabajo en el interior del aparato, debe cortar el suministro eléctrico del aparato, ya que existe el riesgo de descarga eléctrica que puede causar daños materiales, lesiones graves o incluso la muerte.

- Los terminales apretados incorrectamente pueden hacer que la caja de terminales se caliente, lo que puede invalidar la garantía.
 - Solo un técnico calificado y experimentado está autorizado para realizar trabajos de cableado dentro del aparato o para reemplazar el cable de alimentación.
- Antes de conectar la unidad, verifique que la tensión de alimentación coincida con la tensión de funcionamiento de la bomba de calor.

Se recomienda conectar la bomba de calor a un circuito con fusible propio o disyuntor (tipo lento; curva D) y utilizar cableado adecuado.

Conecte los cables eléctricos al bloque de terminales marcado "POWER SUPPLY".

Un segundo bloque de terminales marcado "BOMBA DE AGUA" se encuentra junto al primero. El interruptor de la bomba de filtrado (12V) se puede conectar al segundo bloque de terminales aquí. Esto permite que el funcionamiento de la bomba de filtrado sea controlado por la bomba de calor o el contacto extra seco.



3.8 Operación inicial

Nota: Para calentar el agua de la piscina (o jacuzzi), la bomba de filtrado debe estar en funcionamiento para que el agua circule a través de la bomba de calor. La bomba de calor no se pondrá en marcha si el agua no circula.

Una vez realizadas y comprobadas todas las conexiones, lleve a cabo el siguiente procedimiento:

1. Encienda la bomba de filtrado. Compruebe si hay fugas y verifique que el agua fluya desde y hacia la piscina.
2. Conecte la energía a la bomba de calor y presione el botón de encendido / apagado en el panel de control electrónico. La unidad se pondrá en marcha después de que expire el tiempo de espera .
3. Después de unos minutos, compruebe si el aire que sale de la unidad está más frío.
4. Cuando apague la bomba de filtro, la unidad también debe apagarse automáticamente, si no, ajuste el interruptor de flujo.

Dependiendo de la temperatura inicial del agua de la piscina y la temperatura del aire, pueden pasar varios días calentar el agua a la temperatura deseada. Una buena cubierta de piscina puede reducir drásticamente el tiempo requerido.

Interruptor de flujo de agua:

Está equipado con un interruptor de flujo para proteger la unidad de HP funcionando con un caudal de agua adecuado. Se encenderá cuando la bomba de la piscina funcione y se apagará cuando la bomba se apague.

Tiempo de retardo - La bomba de calor tiene un retardo de arranque incorporado de 3 minutos para proteger los circuitos y evitar un desgaste excesivo de los contactos. La unidad se reiniciará automáticamente después de que expire este tiempo de espera. Incluso una breve interrupción del suministro eléctrico activará este retraso y evitará que la unidad se reinicie inmediatamente. Las interrupciones de energía adicionales durante este período de retraso no afectan la duración de 3 minutos del retraso.

3.9 Condensación

El aire aspirado a la bomba de calor se enfría fuertemente mediante el funcionamiento de la bomba de calor para calentar el agua de la piscina, lo que puede provocar condensación en las aletas del evaporador. La cantidad de condensación puede llegar a varios litros por hora con una humedad relativa alta. Esto a veces se considera erróneamente como una fuga de agua.

3.10 Modos de funcionamiento para un uso óptimo

- POWERFUL: Se usa principalmente al comienzo de la temporada porque este modo permite un aumento de temperatura muy rápido
- SMART: La bomba de calor ha completado su tarea principal, en este modo; la bomba de calor está en condiciones de mantener el agua de la piscina de una manera energéticamente eficiente. Al ajustar automáticamente la velocidad del compresor y el ventilador, la bomba de calor ofrece un mejor retorno.
- SILENT: En los meses de verano, cuando la producción de calor es mínima, la bomba de calor en este modo es aún más rentable. Beneficio agregado; cuando la bomba de calor calienta. Va con una carga de ruido mínima.


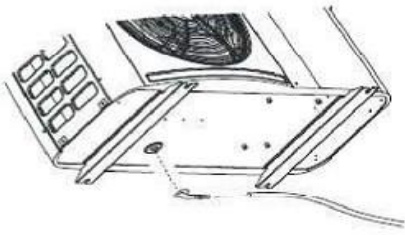


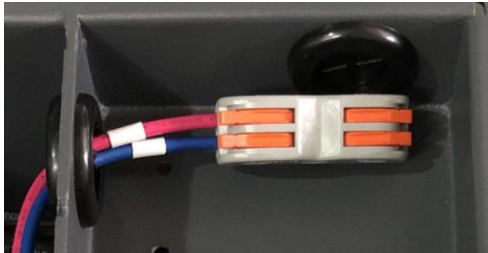
4. Kit de Instalación

4.1 lista de los accesorios

		
Base antivibraciones, 4 pcs	Pipeta de desagüe, 2 pcs	Caja estanca, 1 pc
		
Cubierta de invierno, 1 pc	Tubos de drenaje, 2 piezas	Cable de señal 10M, 1 pc

4.2 Accesorios de instalación

	<p>Bases antivibratorias</p> <ol style="list-style-type: none">1. Sacar 4 bases antivibratorias2. Póngalos uno por uno en la parte inferior de la máquina.
---	---

		<p>Conexión de la pipeta de desagüe</p> <ol style="list-style-type: none"> 1. Instale la pipeta de desagüe debajo del panel inferior 2. Conecte una tubería para drenar el agua. <p>Nota: Levante la bomba de calor para instalar la pipeta. Nunca vuelque la bomba de calor, podría dañar el compresor.</p>
	<p>Entrada y salida de agua</p> <ol style="list-style-type: none"> 1. Instale las dos juntas como muestra la imagen 2. Enrosquelas en las tomas de agua. <p>Juntas de entrada y salida</p>	
	<p>Cableado de cables</p> <ol style="list-style-type: none"> 1. Abra la tapa de la caja eléctrica. 2. Fije el cable de alimentación en las juntas L N E 	
	<p>Cableado de la bomba de agua (contacto seco)</p> <ol style="list-style-type: none"> 1. Abra la tapa de la caja eléctrica. 2. Con los conectores 1 y 2 puedes pilotar la filtración de agua a través del temporizador de la filtración (contacto seco) 	

4.3 Connection to the filtration pump

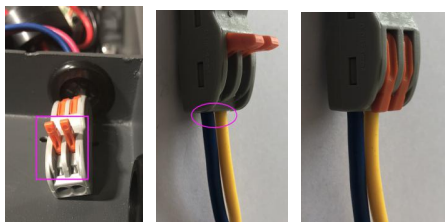


Photo 1 Photo 2 Photo 3

- Open the button upwards as (Photo 1)
- Attach the dry contact wiring through the two holes as (Photo 2 & Photo 4)
- Press the button and tighten the wiring as (Photo 3)

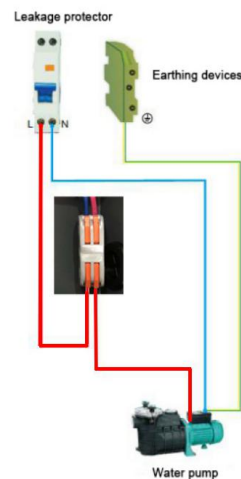
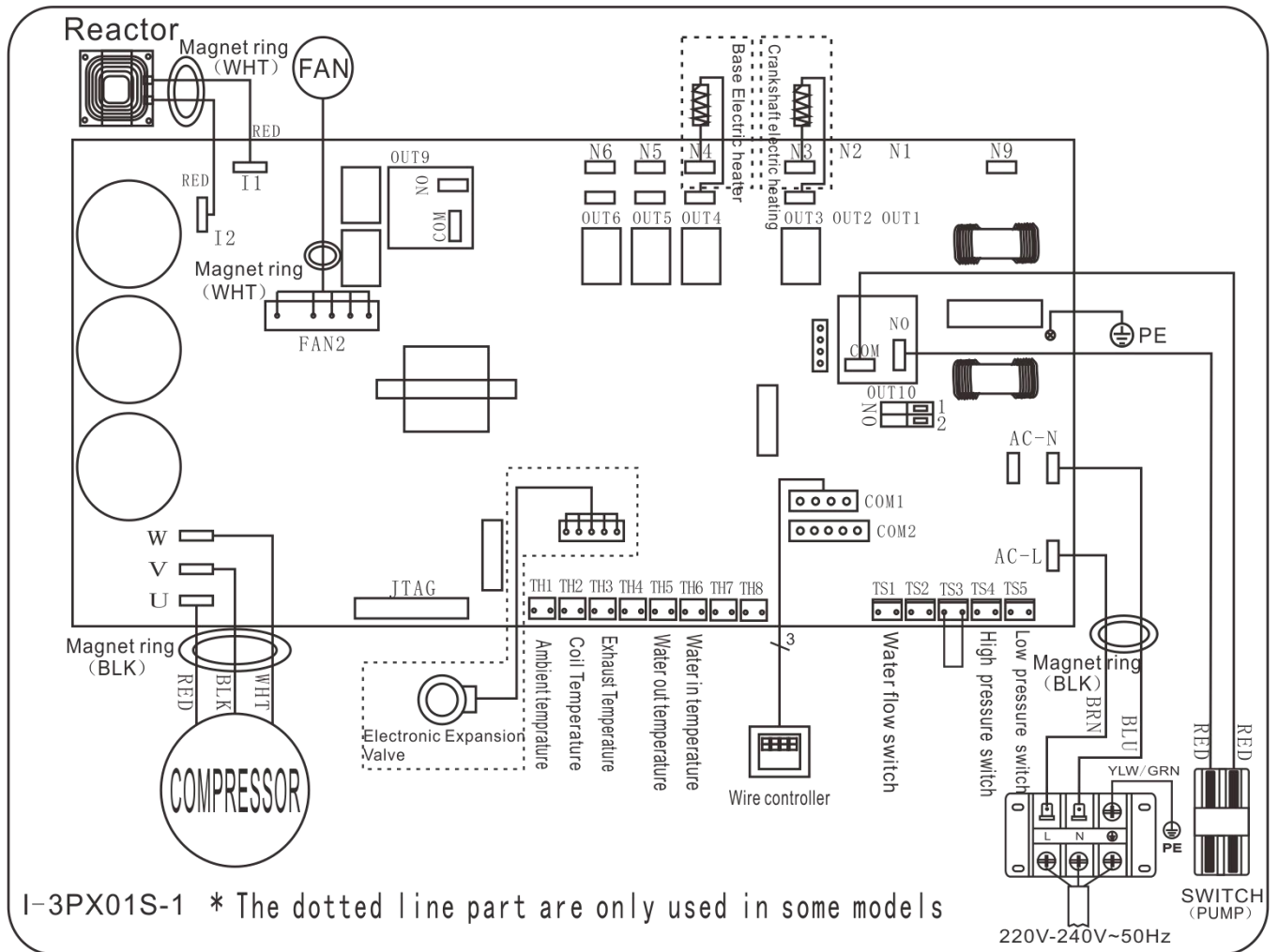


Photo 4

5. Cableado Eléctrico

5.1 Diagrama de cableado de la bomba de calor de piscina

VSP-10 / VSP-12 / VSP-15 / VSP-17



NOTA:

(1) El diagrama de cableado eléctrico anterior solo para su referencia, envíe la máquina sujeta al diagrama de cableado.

(2) La bomba de calor de la piscina debe estar bien conectada al cable de tierra, aunque el intercambiador de calor de la unidad está aislado eléctricamente del resto de la unidad. Aún se requiere la conexión a tierra de la unidad para protegerlo contra cortocircuitos dentro de la unidad. .

(3) Se recomienda que la bomba de filtración de la piscina y la bomba de calor estén cableadas de forma independiente.

Conectar la bomba de su piscina a la bomba de calor resultará en que su filtración se apague una vez que el agua de la piscina

ha alcanzado la temperatura.

Conecte la bomba de la piscina a través de la bomba de calor solo si tiene una bomba de piscina para calefacción que sea independiente del sistema de filtración de su piscina

Desconectar: Un medio de desconexión (disyuntor, interruptor con o sin fusible) debe estar ubicado a la vista y fácilmente accesible desde la unidad. Esta es una práctica común en bombas de calor comerciales y residenciales. Evita la activación remota de equipos desatendidos y permite apagar la unidad mientras se realiza el mantenimiento.

5.2 Instalación de la pantalla remota

Photo(1)



Photo(2)



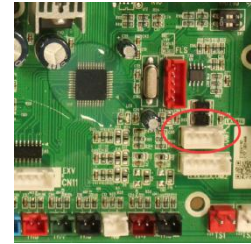
Photo(3)



Photo(4)



Photo(5)



- El lado con el enchufe se conecta con el panel de control (foto1)
- El otro lado del cable de señal. (foto2)
- Abra la tapa del cuadro de conexión eléctrica y pase a través de ella el cable de la pantalla remota. (foto3,4)
- Inserte el cableado en la posición designada (código: COM 1 o COM-L) en la placa PC. (foto5)

6. Funcionamiento del controlador


6.1 Los botones del controlador de cable LED





Cuando la bomba de calor se conecta a la corriente, la pantalla LED muestra un código de 3 segundos que indica el modelo de la bomba de calor.


6.2 Las claves y sus operaciones

6.2.1 Botón (icon)

Presione  para arrancar la bomba de calor, la pantalla de LED muestra la temperatura del agua deseada durante 5 segundos, luego muestra la temperatura del agua de entrada y el modo de operación.



Pulse  para detener la bomba de calor y muestre "OFF"

Aviso: Durante la comprobación y ajuste del parámetro, pulse la tecla  para salir rápidamente y guardar la configuración actual.



Pulse  de nuevo para encender / apagar la máquina.

6.2.2 Botón y

Bloquear / desbloquear la pantalla:

Mantenga  y  durante 5 segundos para bloquear / desbloquear la pantalla.


Ajuste de la temperatura del agua:

Pulse  o  para ajustar la temperatura del agua directamente.



Temperatura del agua. rango de ajuste en modo Calefacción: 6-41 °C.




6.2.3 Botón



Comprobación de parámetros:



Pulse  primero, luego pulse  para comprobar el parámetro User de d0 a d11

Código	Condición	Alcance	Observación
d0	IPM temperatura del molde	0-120°C	Valor de prueba real
d1	Temp. De agua de entrada T1	-9°C ~ 99°C	Valor de prueba real
d2	Temperatura del agua de salida T2	-9°C ~ 99°C	Valor de prueba real
d3	Temperatura ambiente. T5	-30°C ~ 70°C	Valor de prueba real
d4	Código de limitación de frecuencia	0,1,2,4,8,16	Valor de prueba real
d5	Temperatura Evaporador T3	-30°C ~ 70°C	Valor de prueba real
d6	Temperatura descarga de gas T6	0°C ~ C5°C (125°C)	Valor de prueba real
d7	Paso de EEV	0 ~ 99	N*5
d8	Frecuencia de funcionamiento del compresor	0 ~ 99Hz	Valor de prueba real
d9	Corriente del compresor	0 ~ 30A	Valor de prueba real
d10	Velocidad actual del ventilador	0-1200 (rpm)	Valor de prueba real
d11	Código de error de la última vez	Todo el código de error	

Pulse  primero, luego pulse  para comprobar / ajustar el parámetro de usuario de P1 a P7

Si es necesario, presione  segundo, luego presione  o  para ajustar el parámetro actual.

(por ejemplo: presione  primero, luego presione  para ingresar al parámetro P7 y presione 1

segundo, luego presione  o  para ajustar el parámetro P7 Corrección de temperatura de entrada de agua de -9 a 9).

Código	Nombre	Alcance	Defecto	Observación
P0	Desescarhe obligatorio	0-1	0	0: Operación normal predeterminada 1: Descongelamiento obligatorio.
P1	Modo de trabajo	1	1	1 Modo de calefacción
P2	Temporizador activado / desactivado	0-1	0	1 El temporizador encendido / apagado está en función, 0 El temporizador encendido / apagado está fuera de funcionamiento (El ajuste de P5 y P6 no funcionará)
P3	Bomba de agua	0-1	0	1 Siempre en marcha, 0 Depende del funcionamiento del compresor
P4	Hora actual	HH:MM	0:00	<u>0-23:0-59</u>
P5	Temporizador en	HH:MM	0:00	<u>0-23:0-59</u>
P6	Temporizador desactivado	HH:MM	0:00	<u>0-23:0-59</u>
P7	Temp. De agua de entrada corrección	-9~9	0	Ajuste predeterminado: 0

NOTA: En el modo de descongelación, P0 = 1.

Una vez finalizada la descongelación, entrará automáticamente en modo Normal, P0 = 0.

6.2.4 Prioridad de calefacción, opción de conexión

Opción 1: La bomba de agua está relacionada con el funcionamiento de la bomba de calor para iniciar o detener.

La bomba de agua arranca 60 s antes que el compresor, la bomba de agua arranca 30s y luego el interruptor de flujo de agua detecta caudal. Cuando la bomba de calor entra en modo de espera, el compresor se detendrá primero y la bomba de filtración se detendrá 5 minutos más tarde.

La bomba de filtración volverá a funcionar durante 5 minutos y luego se detendrá cuando el tiempo de espera sea superior a 1 horas.

	Condición	Ejemplo	Lógica de trabajo bomba de agua
Modo de calentamiento	P3=0, T1≥Tset-0.5°C, dura 30 minutos	P3=0, T1≥27.5°C, dura 30 minutos	La bomba de agua entrará en el modo de espera durante 1 horas y no arrancará excepto que apague la fuente de alimentación y reinicie. La bomba de calor se reiniciará 5 minutos después de que la bomba de agua salga del modo de espera para detectar nuevamente la temperatura del agua T1.

Opción 2 La bomba de filtración está siempre encendida (P3 = 1)

Bajo la condición P3 = 1, cuando $T1 \geq T_{set} + 1 \text{ } ^\circ\text{C}$ ($T1 \geq 29 \text{ } ^\circ\text{C}$) dura 3 minutos, la bomba de calor estará en espera, mientras que la bomba de filtración está siempre encendida.

Si la bomba de calor se apaga manualmente o está TIMER OFF, la bomba de filtración se detendrá en consecuencia.

En la opción 2, con activación del temporizador; P2 = 1 para iniciar y detener la bomba de filtración de acuerdo con la programación de P4 (tiempo), P5 (temporizador activado) y P6 (temporizador desactivado)

Condición para el arranque de la bomba de calor, temporizador activado;

Cuando el temporizador alcanza el tiempo establecido de TEMPORIZADOR ENCENDIDO, la bomba de filtración arrancará y después de 5 minutos comenzará la bomba de calor. La bomba de calor permanece parada si la temperatura del agua es $\geq T_{set} + 1 \text{ } ^\circ\text{C}$ ($T1 \geq 29 \text{ } ^\circ\text{C}$), antes de que el TEMPORIZADOR APAGADO, la filtración aún esté activada.

Condición para detener la bomba de calor, temporizador OFF activo;

Cuando el temporizador alcanza el tiempo establecido del TEMPORIZADOR APAGADO, la bomba de calor se detendrá y después de 5 minutos se detiene la bomba de filtración.

NOTA :



T_{set} = temperatura establecida del agua

Por ejemplo: $T_{set} = 28 \text{ } ^\circ\text{C}$. Temperatura establecida del agua en la bomba de calor de su piscina.

$T_{set} - 0.5$ = menos $0.5 \text{ } ^\circ\text{C}$ que la temperatura establecida; $T_{set} - 0.5 = 28 - 0.5 = 27.5 \text{ } ^\circ\text{C}$

$T_{set} + 0.5$ = más $0.5 \text{ } ^\circ\text{C}$ que la temperatura establecida; $T_{set} + 0.5 = 28 + 0.5 = 28.5 \text{ } ^\circ\text{C}$

6.2.5 Función de restablecimiento del sistema

Presione  y  en 10s, el sistema se restablecerá y mostrará "0000" en el controlador.

6.2.6





Símbolo de calentamiento, la luz se encenderá cuando esté en funcionamiento.

Cuando se descongela, la luz parpadeará.

6.2.7



Símbolo de enfriamiento, la luz se encenderá cuando esté en funcionamiento.

Nota: cuando el parámetro P1 está en la verificación / ajuste,  y  parpadeará al mismo tiempo.

6.2.8



Símbolo de parada automática, la luz se encenderá cuando esté en funcionamiento.

6.2.9



Símbolo de inicio automático, la luz se encenderá cuando esté en funcionamiento.

6.2.10



Pulse este botón, la luz parpadeará y la bomba de calor funcionará en 'Salida completa' solamente.

6.2.11



Mientras este en Smart, la bomba de calor sólo funcionará en 'Salida media' y 'Salida completa'

En 'Salida media', la luz de Smart parpadeará.

En 'Salida completa', la lámpara de Smart está encendida, la lámpara de Powerful será flash.

7.Solución de Problemas

7.1 Visualización del código de error en el controlador LED

Mal funcionamiento	Código de error	Razón	Solución
Fallo en el sensor de temperatura de entrada del agua d1-TH6	PP01	1. El sensor en circuito abierto o cortocircuito 2. El cableado del sensor está suelto	1. Verifique o cambie el sensor 2. Reparar el cableado de los sensores
Fallo en el sensor de temperatura de salida del agua d2-TH5	PP02	1.El sensor en circuito abierto o cortocircuito 2. El cableado del sensor está suelto	1. Verifique o cambie el sensor 2. Reparar el cableado de los sensores
Fallo en la sonda del evaporador d5-TH2	PP03	1. El sensor en circuito abierto o cortocircuito 2. El cableado del sensor está suelto	1. Verifique o cambie el sensor 2. Reparar el cableado de los sensores
Falla del sensor de temperatura ambiental d3-TH1	PP05	1. El sensor en circuito abierto o cortocircuito 2. El cableado del sensor está suelto	1. Verifique o cambie el sensor 2. Reparar el cableado de los sensores
Fallo del sensor de temperatura de descarga del compresor d6-TH3	PP06	1. El sensor en circuito abierto o cortocircuito 2. El cableado del sensor está suelto	1. Verifique o cambie el sensor 2. Reparar el cableado de los sensores
Protección antihielo en invierno	PP07	La temperatura ambiente o la temperatura de entrada del agua es demasiado baja	Protección normal
Protección de baja temperatura ambiente	PP08	1. Fuera del rango de funcionamiento por baja temperatura 2. Anormalidad del sensor	1. Dejar de usar, más allá del límite de temperatura 2. Cambie el sensor

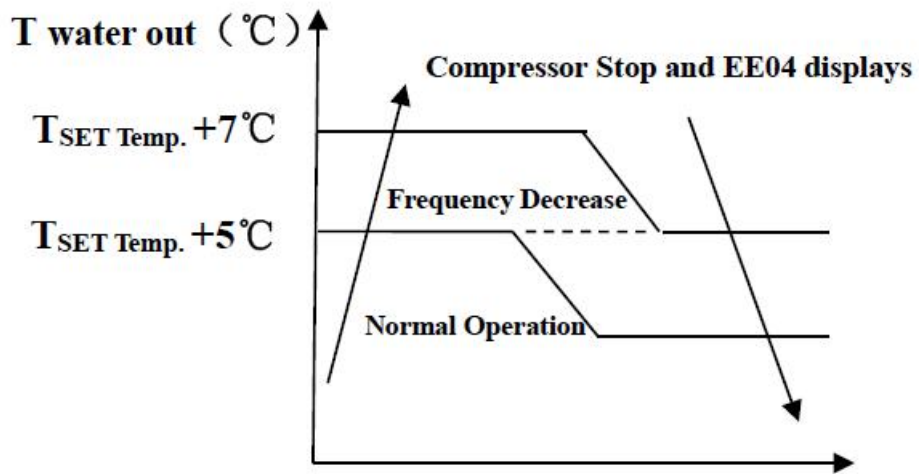
Mal funcionamiento	Código de error	Razón	Solución
Fallo de alta presión TS4	EE01	<ol style="list-style-type: none"> 1. Minipresostato de alta presión en mal conectado o falla 2. La temperatura ambiente es demasiado alta 3. La temperatura del agua es demasiado alta 4. El flujo de agua es demasiado bajo 5. La velocidad del motor del ventilador es anormal o el motor del ventilador está dañado 	<ol style="list-style-type: none"> 1. Compruebe el cableado del minipresostato de alta presión o cambielo 2. Revise el flujo de agua o la bomba de filtración 3. Compruebe el motor del ventilador 4. Revisar y reparar el sistema de filtración
Fallo de baja presión TS5	EE02	<ol style="list-style-type: none"> 1. Minipresostato de baja presión mal conectado o falla 2. EEV está bloqueada o el sistema de tuberías está atascado 3. La velocidad del motor es anormal o el motor esta dañado 4. Fuga de gas 	<ol style="list-style-type: none"> 1. Compruebe el cableado del Minipresostato de baja presión o cambielo 2. Compruebe la EEV y el sistema de tuberías. Compruebe el motor. 3. Mediante el manómetro de alta presión compruebe el valor de la presión 4. Comprobar el sistema de refrigeración
No hay flujo de agua o fallo del Minipresostato de flujo de agua TS1	EE03 Or" ON"	<ol style="list-style-type: none"> 1. El Minipresostato de flujo de agua está mal conectado 2. No hay flujo de agua insuficiente 3. Interruptor de flujo montado de mala manera. 	<ol style="list-style-type: none"> 1. Comprobar el cableado del Minipresostato de flujo de agua o cambiarlo. 2. Compruebe la bomba de filtración o el circuito de agua 3. Compruebe la posición del interruptor de flujo según la dirección del flujo de agua.
Protección de temperatura del agua demasiado alta en modo calentar d2-TH5	EE04	<ol style="list-style-type: none"> 1. Bajo flujo de agua 2. El Minipresostato de flujo de agua está atascado y el suministro de agua está cortado 3. Sensor d2-TH5 es anormal 	<ol style="list-style-type: none"> 1. Compruebe el circuito de agua 2. Compruebe la bomba de filtración o el Minipresostato de flujo de filtración 3. Compruebe el sensor d2-TH5 o cambielo
Temperatura de descarga del compresor demasiado alta d6-TH3	EE05	<ol style="list-style-type: none"> 1. Falta de gas 2. Bajo flujo de agua 3. Circuito frigorífico 4. Fallo del sensor 	<ol style="list-style-type: none"> 1. Compruebe el manómetro de alta presión, si es demasiado bajo, llénelo con un poco de gas 2. Compruebe el circuito frigorífico y la bomba de filtración 3. Compruebe el sistema de tuberías si hubiera alguna obstrucción 4. Cambiar sonda de descarga.
Fallo de controlador o fallo de comunicación	EE06	<ol style="list-style-type: none"> 1. La conexión no es buena o está dañado el cable. 2. Controlador averiado. 	<ol style="list-style-type: none"> 1. Compruebe y vuelva a conectar el cable 2. Cambiar por cable 3. Apague el suministro eléctrico y reinicie la máquina 4. Cambiar a nuevo controlador

Mal funcionamiento	Código de error	Razón	Solución
Protección de sobreintensidad	EE13	<ol style="list-style-type: none"> 1. La corriente del compresor es demasiado grande momentáneamente 2. El flujo de agua es anormal 3. Fluctuaciones de energía en un corto espacio de tiempo 4. Inductor PFC incorrecto 	<ol style="list-style-type: none"> 1. Compruebe el compresor 2. Compruebe el sistema frigorífico 3. Compruebe si la potencia está en el rango normal 4. Compruebe si se utiliza el inductor PFC correcto
Error de salida del circuito de detección de temperatura del módulo IPM	EE14	<ol style="list-style-type: none"> 1. Salida anormal del circuito térmico del módulo IPM 2. Motor del ventilador dañado o funcionamiento anormal. 3. La hoja de ventilador está rota 	<ol style="list-style-type: none"> 1. Cambiar placa 2. Compruebe si la velocidad del motor es demasiado baja o si el motor del ventilador está dañado, cámbielo 3. Cambiar la hoja de ventilador
Temperatura del módulo IPM demasiado alta	EE15	<ol style="list-style-type: none"> 1. Excepción de salida del circuito térmico del módulo IPM 2. Motor del ventilador dañado o funcionamiento anormal. 3. La hoja de ventilador está rota 	<ol style="list-style-type: none"> 1. Cambiar placa 2. Compruebe si la velocidad del motor del ventilador es demasiado baja o si el motor del ventilador está dañado, cámbielo 3. Cambiar otra hoja de ventilador
Protección del módulo PFC	EE16	<ol style="list-style-type: none"> 1. Excepción de salida del módulo PFC 2. Motor del ventilador dañado o funcionamiento anormal. 3. La hoja de ventilador está rota 4. Salto de voltaje de entrada, la potencia de entrada es anormal 	<ol style="list-style-type: none"> 1. Cambiar placa 2. Compruebe si la velocidad del motor es demasiado baja o si el motor del ventilador está dañado, cámbielo 3. Cambiar la hoja del ventilador 4. Comprobar la tensión de entrada
Fallo motor del ventilador DC	EE17	<ol style="list-style-type: none"> 1. El motor DC está dañado 2. Para la trifásica, verifique si el neutro está conectado 3. El controlador está dañado 4. La hoja del ventilador está atascada 	<ol style="list-style-type: none"> 1. Fallo del motor DC, sustituya por uno nuevo. 2. Compruebe la conexión del cableado de la máquina trifásica 3. Verifique la placa, reemplace una nueva placa de conducción del motor del ventilador o la placa principal si hay una falla 4. Compruebe si hay alguna barrera delante de la aspa del ventilador y retírela
Función anormal del módulo PFC	EE18	La placa de control está dañada	<ol style="list-style-type: none"> 1. Cambiar una nueva placa 2. Compruebe si la velocidad del motor del ventilador es demasiado baja o si el motor del ventilador está dañado, cámbielo

Mal funcionamiento	Código de error	Razón	Solución
Fallo por alta temperatura del modulo PFC	EE19	<ol style="list-style-type: none"> 1. Salida del circuito térmico del módulo PFC anormal 2. Motor del ventilador dañado o funcionamiento anormal. 3. La hoja del ventilador está rota 4. La conexión en la placa de control no está bien conectada 	<ol style="list-style-type: none"> 1. Cambiar el controlador 2. Compruebe si la velocidad del motor es demasiado baja o si el motor del ventilador está dañado, cambielo 3. Cambiar la hoja del ventilador 4. Verifique si la conexión está suelta
Error de alimentación de entrada	EE20	El voltaje de la fuente de alimentación fluctúa demasiado	Compruebe si el voltaje es estable
Error en el control del software	EE21	<ol style="list-style-type: none"> 1. El compresor se queda sin comunicación 2. Programa incorrecto 3. Impurezas dentro del compresor hace que la velocidad de rotación sea inestable 	<ol style="list-style-type: none"> 1. Compruebe o cambie el controlador 2. Introduzca el programa correcto
Error de circuito de detección de corriente	EE22	<ol style="list-style-type: none"> 1. Señal de tensión anormal 2. El controlador está dañado 3. Falla de la placa principal 	<ol style="list-style-type: none"> 1. Cambiar una nueva placa principal 2. Cambiar una nueva placa de controlador
Fallo de arranque del compresor	EE23	<ol style="list-style-type: none"> 1. El controlador está dañado 2. Error de cableado del compresor o contacto deficiente o desconectado 3. Acumulación de líquido en el compresor 4. Conexión de fase incorrecta para el compresor 	<ol style="list-style-type: none"> 1. Compruebe o cambie el controlador 2. Compruebe el cableado del compresor de acuerdo con el diagrama de circuito <p>Compruebe el compresor o cambielo</p>
Fallo del dispositivo de temperatura ambiente en la placa electrónica	EE24	Fallo del dispositivo de temperatura ambiente	Cambiar la placa del controlador o la placa principal
Falla de fase del compresor	EE25	Mala conexión de las fases	Compruebe el cableado actual de acuerdo con el diagrama de circuito
Error de lectura de datos EEPROM	EE27	<ol style="list-style-type: none"> 1. Datos de la EPROM incorrectos en el programa o fallo en la entrada de datos de la EPROM 2. Fallo de la placa principal 	<ol style="list-style-type: none"> 1. Introduzca los datos correctos de la EEPROM 2. Cambiar la placa principal
Falla de comunicación en el chip interno de la placa electrónica	EE28	Fallo en la placa principal	<ol style="list-style-type: none"> 1. Apague el suministro eléctrico y vuelva a encenderlo 2. Cambiar la placa principal

Observaciones:

1. En el modo de calefacción, si la temperatura de salida del agua es más alta que la temperatura establecida , en más de 7° C, el controlador LED muestra EE04 para la protección del sobrecalentamiento del agua.



Protección contra sobrecalentamiento de agua EE04

Por ejemplo, como a continuación:

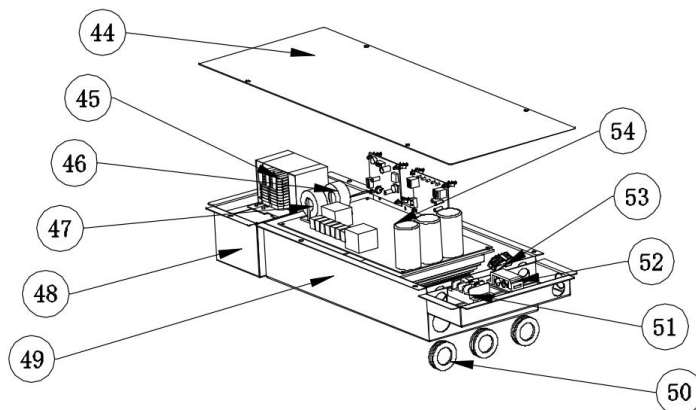
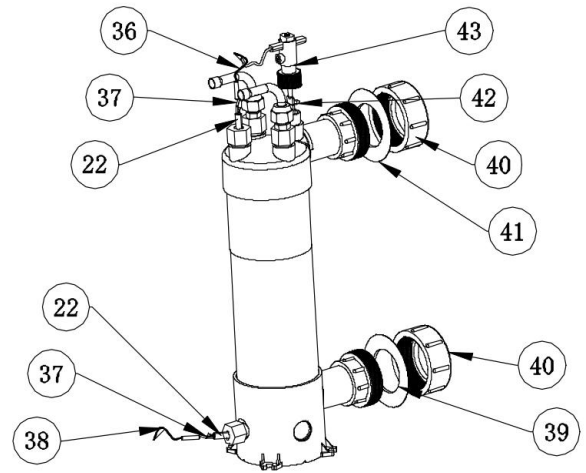
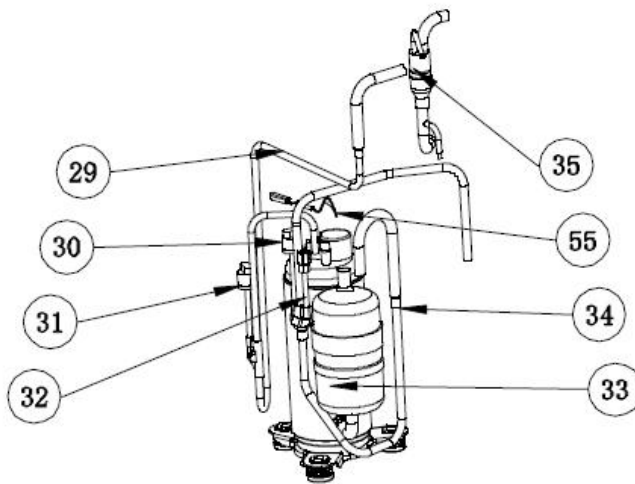
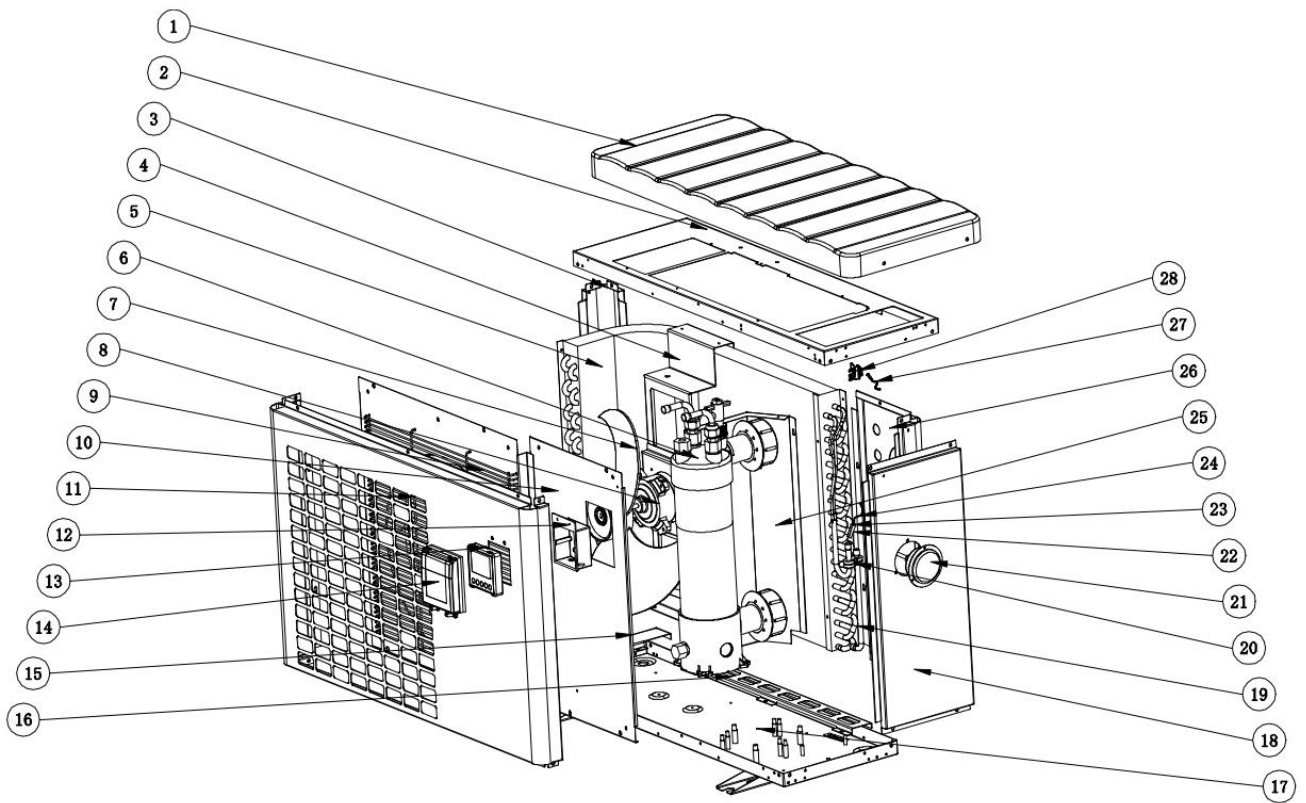
Modo	Temperatura salida del agua	Temperatura Set Point	Condición	Mal funcionamiento
Modo de calentamiento	36°C	29°C	$T_{out} - T_{set} \geq 7^{\circ}\text{C}$	EE04 Protección contra sobrecalentamiento para la temperatura del agua (d2-TH5)

7.2 Otras Averías y Soluciones (No display en controlador LED)

Avería	Descripción	Motivos	Solución
La bomba de calor no está funcionando.	Ninguna visualización en el display del controlador LED.	No hay alimentación de potencia.	Chequee el cable e Minipresostato, verifique si están conectados.
	Controlador LED muestra el tiempo actual	La bomba de calor está en el estado standby.	Inicie la bomba de calor para su puesta en marcha.
	El controlador LED muestra la temperatura del agua actual.	<ol style="list-style-type: none"> 1. La temperatura del agua está llegando al valor de ajuste, la bomba de calor se encuentra en estado de temperatura constante. 2. La bomba de calor comienza justo a funcionar. 3. Bajo la descongelación. 	<ol style="list-style-type: none"> 1. Verifica el ajuste de la temperatura del agua. 2. Inicie la bomba de calor después de algunos minutos. 3. El controlador LED debe mostrar "descongelación".
Funcionamiento corto	LED muestra la temperature actual del agua, no se muestra el código de error.	<ol style="list-style-type: none"> 1. Ventilador NO funciona. 2. La ventilación del aire no es suficiente. 3. El refrigerante no es suficiente. 	<ol style="list-style-type: none"> 1. Chequee las conexiones de cable entre el motor y el ventilador, si es necesario, deben ser remplazados. 2. Compruebe la ubicación de la unidad de la bomba de calor, y elimine todos los obstáculos para tener una buena ventilación del aire. 3. Reemplace o repare la unidad de la bomba del calor.
Manchas de agua	Manchas de agua en la unidad de la bomba de calor	<ol style="list-style-type: none"> 1. Protección 2. Fuga del agua. 	<ol style="list-style-type: none"> 1. Ninguna accion. 2. Verifique con cuidado el intercambiador de calor de titanio si hay algún fallo de fuga.
Demasiado hielo en el evaporador	Demasiado hielo en el evaporador		<ol style="list-style-type: none"> 1. Chequee la ubicación de la unidad de la bomba de calor, y elimine todos los obstáculos para tener una buena ventilación del aire. 2. Reemplace o repare la unidad de la bomba de calor.

8. Diagrama de despiece y mantenimiento

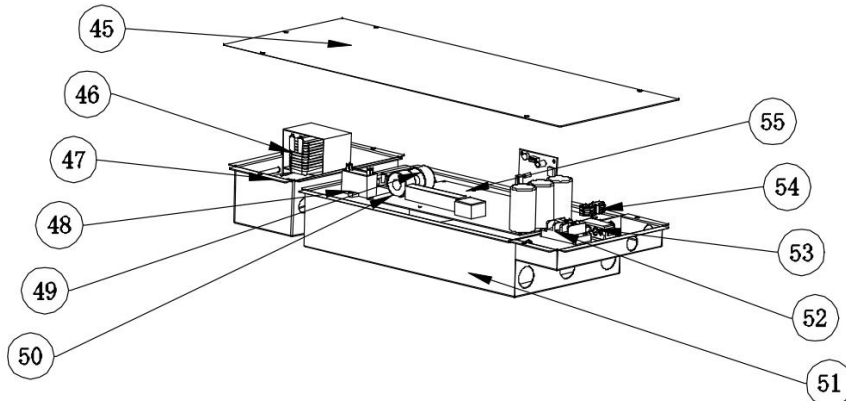
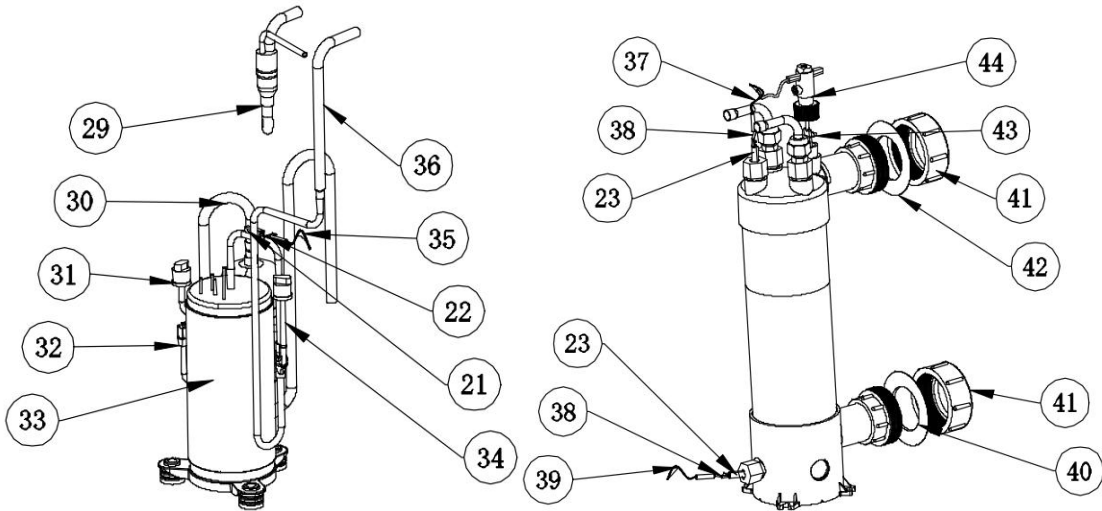
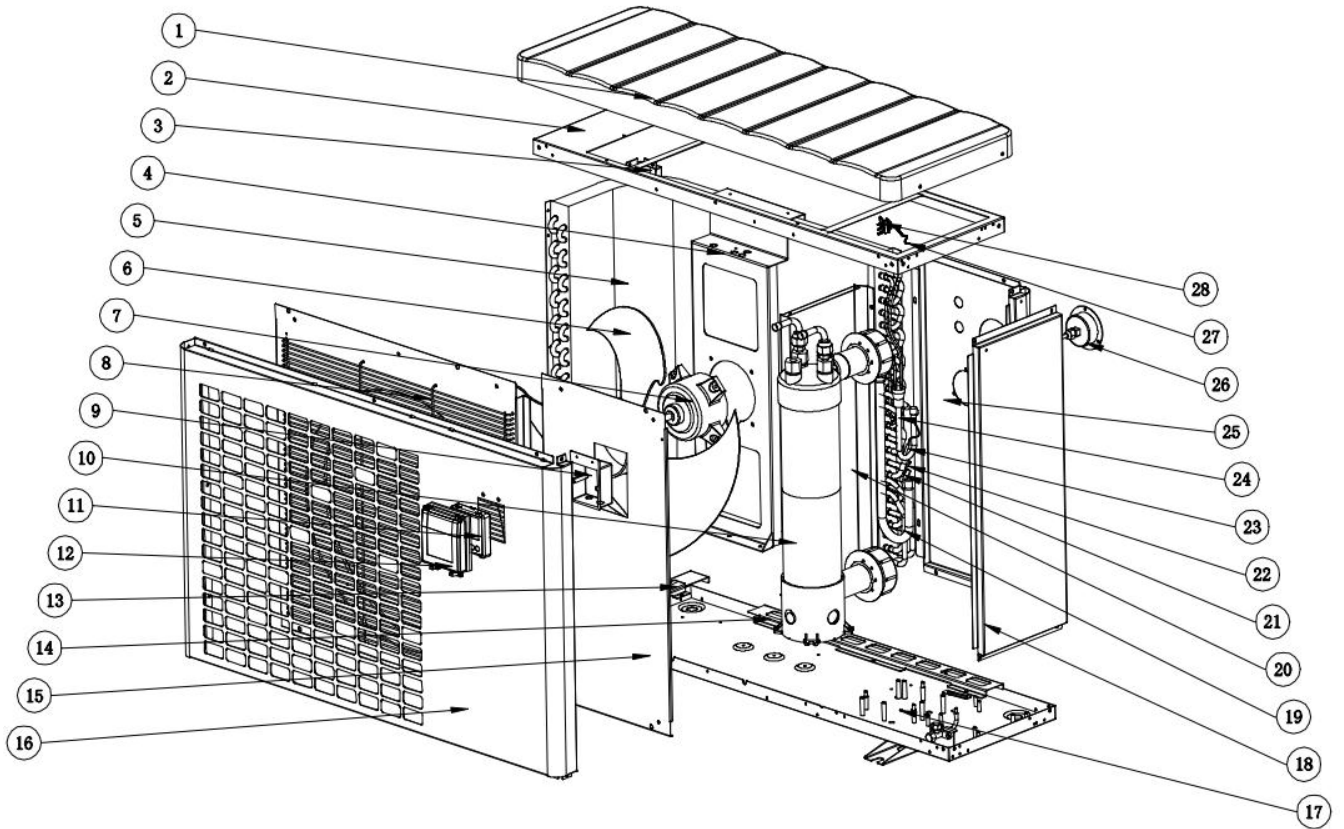
8.1 Modelo: VSP-10



Spare parts list: VSP-10

NO	ERP	Spare parts	NO	ERP	Spare parts
1	133340015	Tapa superior	29	113020611	Tubo de escape
2	108830029	Marco superior	30	112100046	Minipresostato de baja presión
3	108830055	Pilar	31	112100030	Minipresostato de alta presión
4	108830006	Soporte del motor del ventilador	32	120000098	Válvula de gas
5	103000271	Evaporador	33	101000221	Compresor + bases antivibratorias.
6	102040856	Intercambiador de calor de titanio	34	113020565	Tubería de retorno de gas
7	113600007	Aspa del ventilador	35	113090091	Intercambiador a Capilar
8	112000041	Motor del ventilador	36	117110012	Sonde de température d'arrivée d'eau TH6
9	108830057	Montaje del panel frontal	37	108010025	Clip de fixation sonde de température
10	108830024	Intercambiador a Capilar	38	117110011	Sonde de température de sortie d'eau TH5
11	108830060	Panel frontal	39	133020011	Joint bleu
12	133030011	Caja de control	40	113900082	Raccord à visser
13	117020244	controlador	41	133020012	Joint rouge
14	113712007	Cubierta del controlador	42	133020026	Junta de goma en la conexión de agua
15	108830004	Almohadilla del evaporador	43	112100021-1	Détecteur de débit
16	108830005	Almohadilla del evaporador	44	108830031	Tapa de caja electrica
17	108830017	Bandeja de base	45	117230003	Reactor
18	108830059	Panel derecho	46	117240002	Anillo magnético
19	103000271	Tubería evaporador	47	117240003	Anillo magnético
20	136020018	Bloque de goma	48	108830026	Coffret reactor
21	106000011	Manómetro	49	108830030	Coffret électrique
22	113190001	Alojamiento de sonda	50	136020119	Junta de goma
23	113190007	Clip	51	115000002	Bornas de conexión
24	117110004	Sonda evaporador. Desescarche. TH2	52	136010004	Clip de fixation sonde
25	108830003	Panel de aislamiento	53	115000060	Bornier de connexion
26	108830056	Panel trasero	54	117100069	Carte électronique
27	117110020	Sonda Tª ambiente TH1	55	117110021	Sonda Tª descarga sensor TH3
28	133020010	Clip sonda Tª ambiente			

Model: VSP-12 / VSP-15 / VSP-17



Spare parts list: VSP-12

NO	ERP	Spare parts	NO	ERP	Spare parts
1	133300019	Tapa superior	29	113090087	Intercambiador a Capilar
2	108790071	Marco superior	30	113020544	Tubería de retorno de gas
3	108790107	Pilar	31	112100046	Minipresostato de baja presión
4	108790027	Soporte del motor del ventilador	32	120000097	Válvula de gas
5	103000283	Evaporador	33	101000222	Compresor + bases antivibratorias.
6	132000015	Aspa del ventilador	34	112100030	Minipresostato de alta presión
7	112000031	Motor del ventilador	35	117110021	Sonda Tª descarga sensor d6-TH3
8	108790127	Montaje del panel frontal	36	113010392	Tubo de escape
9	133030011	Caja de control	37	117110012	Sonde de température d'arrivée d'eau d1-TH6
10	102040861	Intercambiador de calor de titanio	38	108010025	Clip de fixation sonde de température
11	117020244	controlador	39	117110011	Sonde de température de sortie d'eau d2-TH5
12	113712007	Cubierta del controlador	40	133020011	Joint bleu
13	108790025	Almohadilla del evaporador	41	113900082	Raccord à visser
14	108790026	Almohadilla del evaporador	42	133020012	Joint rouge
15	108790081	Intercambiador a Capilar	43	133020026	Junta de goma en la conexión de agua
16	108790106	Panel frontal	44	112100021-1	Détecteur de débit
17	108790101	Bandeja de base	45	108790072	Tapa de caja eléctrica
18	108790109	Panel derecho	46	117230003	Reactor
19	103000283	Tubería evaporador	47	108790073	Coffret reactor
20	108790024	Panel de aislamiento	48	111000006	Condensador de ventilador
21	113190001	Alojamiento de sonda	49	117240002	Anillo magnético
22	113190007	Clip	50	117240003	Anillo magnético
23	117110004	Sonda evaporador. Desescarche. d5-TH2	51	108790075	Coffret reactor
24	103000283	Tubería de distribución	52	115000002	Bornas de conexión
25	108790108	Panel trasero	53	136010004	Clip de fixation sonde
26	106000011	Manómetro	54	115000060	Bornier de connexion
27	117110020	Sonda Tª ambiente d3-TH1	55	117100069	Carte électronique
28	133020010	Clip sonda Tª ambiente			

Spare parts list: VSP-15

NO	ERP	Spare parts	NO	ERP	Spare parts
1	133300019	Tapa superior	29	113090087	Intercambiador a Capilar
2	108790071	Marco superior	30	113020544	Tubería de retorno de gas
3	108790107	Pilar	31	112100046	Minipresostato de baja presión
4	108790027	Soporte del motor del ventilador	32	120000097	Válvula de gas
5	103000290	Evaporador	33	101000222	Compresor + bases antivibratorias.
6	132000015	Aspa del ventilador	34	112100030	Minipresostato de alta presión
7	112000031	Motor del ventilador	35	117110021	Sonda Tª descarga sensor d6-TH3
8	108790127	Montaje del panel frontal	36	113010392	Tubo de escape
9	133030011	Caja de control	37	117110012	Sonde de température d'arrivée d'eau d1-TH6
10	102040865	Intercambiador de calor de titanio	38	108010025	Clip de fixation sonde de température
11	117020244	controlador	39	117110011	Sonde de température de sortie d'eau d2-TH5
12	113712007	Cubierta del controlador	40	133020011	Joint bleu
13	108790025	Almohadilla del evaporador	41	113900082	Raccord à visser
14	108790026	Almohadilla del evaporador	42	133020012	Joint rouge
15	108790081	Intercambiador a Capilar	43	133020026	Junta de goma en la conexión de agua
16	108790106	Panel frontal	44	112100021-1	Détecteur de débit
17	108790101	Bandeja de base	45	108790072	Tapa de caja electrica
18	108790109	Panel derecho	46	117230003	Reactor
19	103000290	Tubería evaporador	47	108790073	Coffret reactor
20	108790024	Panel de aislamiento	48	111000006	Condensador de ventilador
21	113190001	Alojamiento de sonda	49	117240002	Anillo magnético
22	113190007	Clip	50	117240003	Anillo magnético
23	117110004	Sonda evaporador. Desescarche. d5-TH2	51	108790074	Coffret reactor
24	103000290	Tubería de distribución	52	115000002	Bornas de conexión
25	108790108	Panel trasero	53	136010004	Clip de fixation sonde
26	106000011	Manómetro	54	115000060	Bornier de connexion
27	117110020	Sonda Tª ambiente d3-TH1	55	117100065	Carte électronique
28	133020010	Clip sonda Tª ambiente			

Spare parts list: VSP-17

NO	ERP	Spare parts	NO	ERP	Spare parts
1	133300019	Tapa superior	29	113090087	Intercambiador a Capilar
2	108790071	Marco superior	30	113020581	Tubería de retorno de gas
3	108790107	Pilar	31	112100046	Minipresostato de baja presión
4	108790027	Soporte del motor del ventilador	32	120000097	Válvula de gas
5	103000291	Evaporador	33	101000181	Compresor + bases antivibratorias.
6	132000015	Aspa del ventilador	34	112100030	Minipresostato de alta presión
7	112000031	Motor del ventilador	35	117110021	Sonda Tª descarga sensor d6-TH3
8	108790127	Montaje del panel frontal	36	113020625	Tubo de escape
9	133030011	Caja de control	37	117110012	Sonde de température d'arrivée d'eau d1-TH6
10	102040999	Intercambiador de calor de titanio	38	108010025	Clip de fixation sonde de température
11	117020244	controlador	39	117110011	Sonde de température de sortie d'eau d2-TH5
12	133020061	Cubierta del controlador	40	133020011	Joint bleu
13	108790025	Almohadilla del evaporador	41	102050004	Raccord à visser
14	108790026	Almohadilla del evaporador	42	133020012	Joint rouge
15	108790081	Intercambiador a Capilar	43	133020026	Junta de goma en la conexión de agua
16	108790106	Panel frontal	44	112100021-1	Détecteur de débit
17	108790093	Bandeja de base	45	108790072	Tapa de caja eléctrica
18	108790109	Panel derecho	46	117230003	Reactor
19	103000291	Tubería evaporador	47	108790073	Coffret reactor
20	108790024	Panel de aislamiento	48	111000006	Condensador de ventilador
21	113190001	Alojamiento de sonda	49	117240002	Anillo magnético
22	113190007	Clip	50	117240003	Anillo magnético
23	117110004	Sonda evaporador. Desescarhe. d5-TH2	51	108790074	Coffret reactor
24	103000291	Tubería de distribución	52	115000002	Bornas de conexión
25	108790108	Panel trasero	53	136010004	Clip de fixation sonde
26	106000011	Manómetro	54	115000060	Bornier de connexion
27	117110020	Sonda Tª ambiente d3-TH1	55	117100065	Carte électronique
28	133020010	Clip sonda Tª ambiente			

9 Mantenimiento

Advertencia !

-Antes de cualquier trabajo de mantenimiento en el aparato, debe cortar el suministro eléctrico ya que existe el riesgo de descarga eléctrica que puede causar daños materiales, lesiones graves o incluso la muerte.

- Se recomienda que el aparato se someta al mantenimiento general al menos una vez al año para asegurar su correcto funcionamiento, mantener los niveles de rendimiento y evitar posibles averías. se llevan a cabo por cuenta del usuario, por un técnico cualificado. para que el mantenimiento sea realizado por un técnico cualificado.

-Para que el mantenimiento sea realizado por un técnico calificado, lea las instrucciones de seguridad en las páginas anteriores proporcionadas en el capítulo titulado "mantenimiento: advertencias sobre aparatos que contienen refrigerante R32" antes de realizar cualquiera de las operaciones de mantenimiento descritas a continuación.

(1) Debe revisar regularmente el sistema del abastecimiento del agua para evitar que el aire entre al sistema y provoque bajo caudal de agua, ya que estas averías reducirán el rendimiento y la fiabilidad de la unidad de la bomba de calor.

(2) Debe limpiar regularmente sus piscinas y el sistema de filtración para evitar el daño a la unidad por suciedad del sistema de filtración.

(3) Verifique la conexión del cable de potencia, si la bomba de calor comienza a funcionar de manera anormalmente, usted deberá apagarla y entrar en contacto con un técnico calificado.

(4) Después de que la unidad está acondicionada para la temporada de invierno, él está preconizando para cubrir la bomba de calor con la funda de invierno.

(5) Cuando la unidad está funcionando, siempre hay una pequeña descarga de agua debajo de la unidad.

(6) Vacíe siempre el agua de la bomba de calor durante el invierno o cuando la temperatura ambiente descienda por debajo de 0 °C, de lo contrario, el intercambiador de titanio se dañará por congelación, en tal caso, perderá la garantía.

VSP INVERTER +7°C

Manuel d'installation et d'utilisation

Sommaire

1. spécifications
2. dimension
3. installation et connexion
4. accessoires
5. câblage électrique
6. fonctionnement du contrôleur d'affichage
7. dépannage
8. diagramme éclaté
9. entretien

Merci d'avoir choisi notre pompe à chaleur pour chauffer l'eau de votre piscine, elle chauffera l'eau de votre piscine et maintiendra la température constante lorsque la température ambiante de l'air est de +7 à 43 °C



ATTENTION: Ce manuel comprend toutes les informations nécessaires à l'utilisation et à l'installation de votre pompe à chaleur.

L'installateur doit lire le manuel et suivre attentivement les instructions de mise en œuvre et d'entretien. Veuillez conserver et transmettre ce manuel pour plus tard tout au long de la durée de vie de l'appareil.

L'installateur est responsable de l'installation du produit et doit suivre toutes les instructions du fabricant et les réglementations en vigueur. Une installation incorrecte par rapport au manuel implique l'exclusion de toute la garantie.

Le fabricant décline toute responsabilité pour les dommages causés aux personnes, aux objets et des erreurs dues à l'installation qui ne respectent pas les instructions du manuel. Toute utilisation non conforme à l'origine de sa fabrication sera considérée comme dangereuse.

1. Caractéristiques techniques

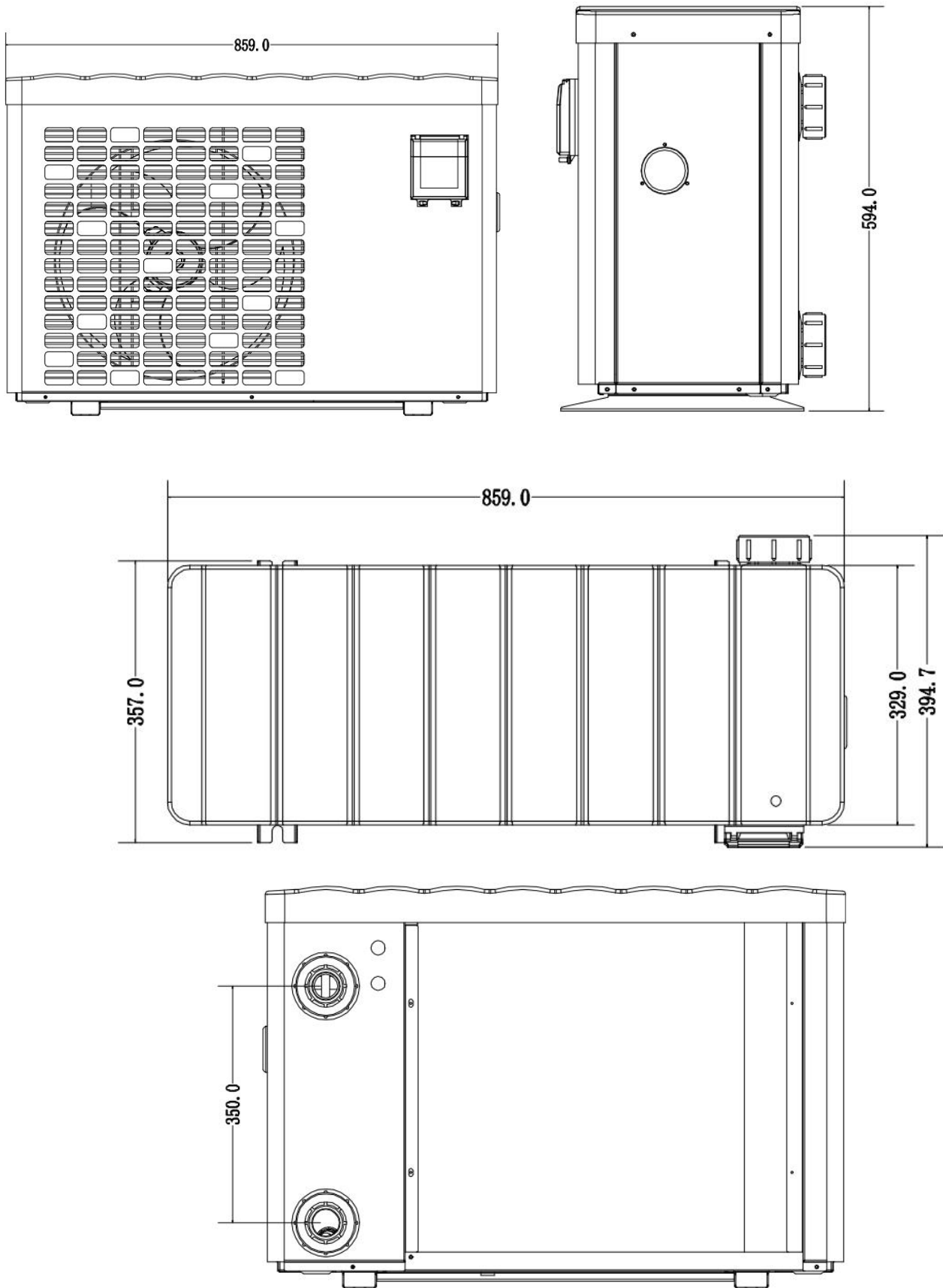
Données techniques

Modèle		74148	74149	74150	74151
Codes		VSP-10	VSP-12	VSP-15	VSP-17
* Puissance de chauffage Air 28°C / Eau 28°C / Humidité 80%					
Puissance restituée	kW	10-2.3	12-2.9	15-3.2	17-3.8
Consommation	kW	1.55-0.14	1.77-0.18	2.26-0.2	2.67-0.23
C.O.P.		16-6.5	16-6.8	16-6.6	16-6.4
* Puissance de chauffage Air 15°C / Eau 26°C / Humidité 70%					
Puissance restituée	kW	7-1.9	8.5-2	10-2.2	12-3
Consommation	kW	1.43-0.27	1.72-0.28	2.07-0.31	2.43-0.42
C.O.P.		7.1-4.9	7.2-4.9	7.2-4.8	7.2-4.9
* Données GENERALES					
Compresseur		Inverter			
Alimentation électrique	V	220~240V / 50Hz /1PH			
Courant Maximal	A	6.9	7.9	10.0	11.8
Disjoncteur	A	10	12	15	18
Débit d'eau préconisé	m ³ /h	2.8	3.7	4.0	4.6
Perte de charge	Kpa	12	14	15	15
Type d'échangeur		Tube Twist-titane en PVC			
Diamètre entrée-sortie	mm	50			
Fan quantity		1			
Type de ventilation		Horizontal			
Niveau de bruit à 10m	dB(A)	22-34	23-35	23-37	24-37
Niveau de bruit à 1m	dB(A)	40-52	40-52	40-54	41-54
Réfrigérant Quantité(R32)	g	650	700	1000	1100
CO2 équivalent	Tonne	0.44	0.47	0.68	0.74
* Dimension/ Weight					
Poids net	kg	56	68	73	78
Poids brut	kg	68	73	78	83
Dimension	mm	859*394.7*594	987*418.7*693.5		
Dimension d'emballage	mm	890*425*630	1015*445*715		

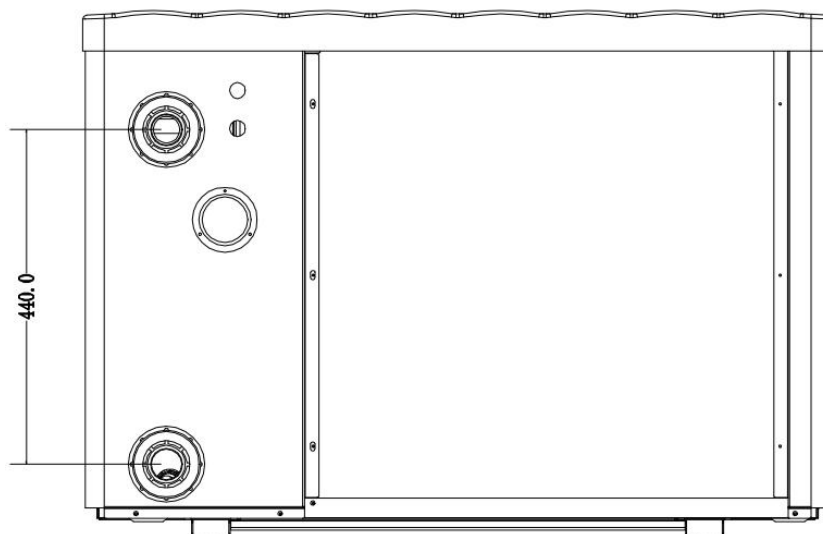
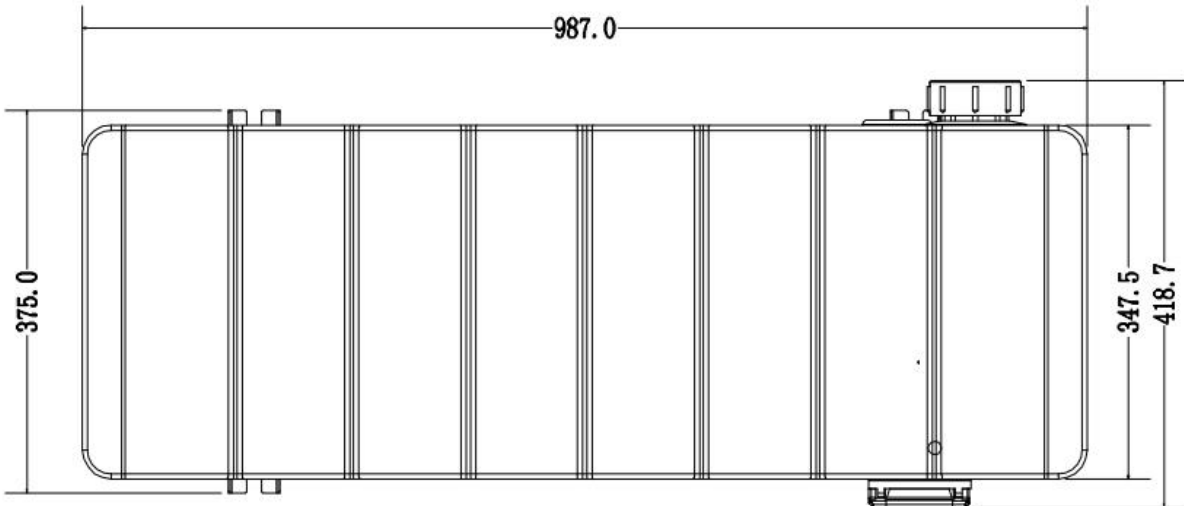
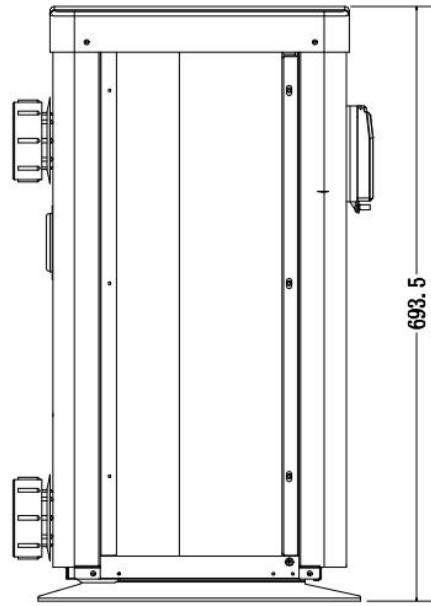
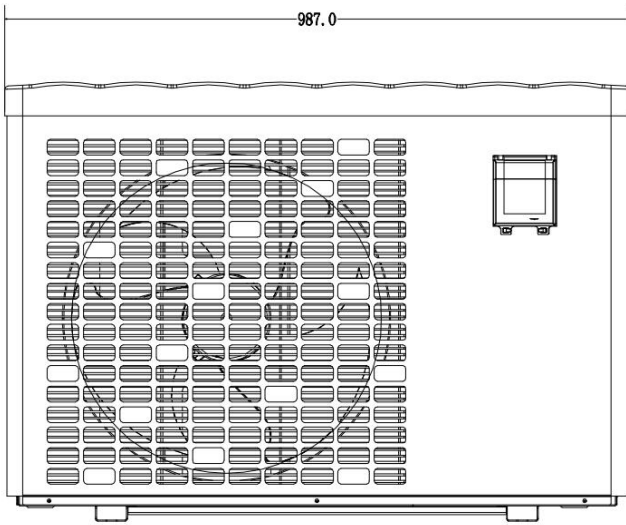
* Les données ci-dessus sont sujettes à modification sans préavis.

2. Dimensión(mm)

Modèle: VSP-10



Modèle: VSP-12 & VSP-15 & VSP-17



3. Installation et connexion

3.1 Remarques

L'usine fournit uniquement la pompe à chaleur. Tous les autres composants, y compris une dérivation si nécessaire, doivent être fournis par l'utilisateur ou l'installateur.

Attention:

Veillez respecter les règles suivantes lors de l'installation de la pompe à chaleur:

1. Tout ajout de produits chimiques doit avoir lieu dans la tuyauterie située en aval de la pompe à chaleur.
2. Installez une dérivation si le débit d'eau de la pompe de piscine est supérieur de plus de 20% au débit autorisé à travers l'échangeur de chaleur de la pompe à chaleur.
3. Placez toujours la pompe à chaleur sur une base solide et utilisez les supports en caoutchouc inclus pour éviter les vibrations et le bruit.
4. Tenez toujours la pompe à chaleur à la verticale. Si l'unité a été inclinée, attendez au moins 24 heures avant de démarrer la pompe à chaleur.

3.2 Emplacement de la pompe à chaleur

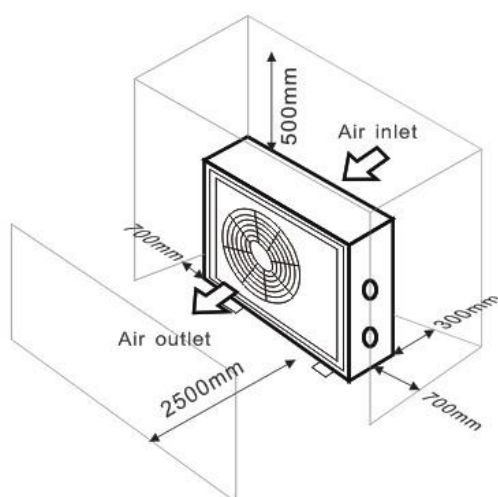
L'unité fonctionnera correctement dans n'importe quel endroit souhaité tant que les trois éléments suivants sont présents:

- 1. Air frais – 2. Électricité – 3. Filtres de piscine**

L'unité peut être installée dans pratiquement n'importe quel emplacement extérieur tant que les distances minimales spécifiées par rapport aux autres objets sont respectées (voir le dessin ci-dessous). Veuillez consulter votre installateur pour l'installation avec une piscine intérieure. L'installation dans un endroit venteux ne présente aucun problème, contrairement à la situation avec un appareil de chauffage au gaz (y compris des problèmes de veillesse).

ATTENTION: N'installez jamais l'unité dans une pièce fermée avec un volume d'air limité dans lequel l'air expulsé de l'unité sera réutilisé, ou à proximité d'arbustes qui pourraient bloquer l'entrée d'air. De tels emplacements nuisent à l'approvisionnement continu en air frais, ce qui entraîne une efficacité réduite et peut-être empêcher une production de chaleur suffisante.

Voir le dessin ci-dessous pour les dimensions minimales.



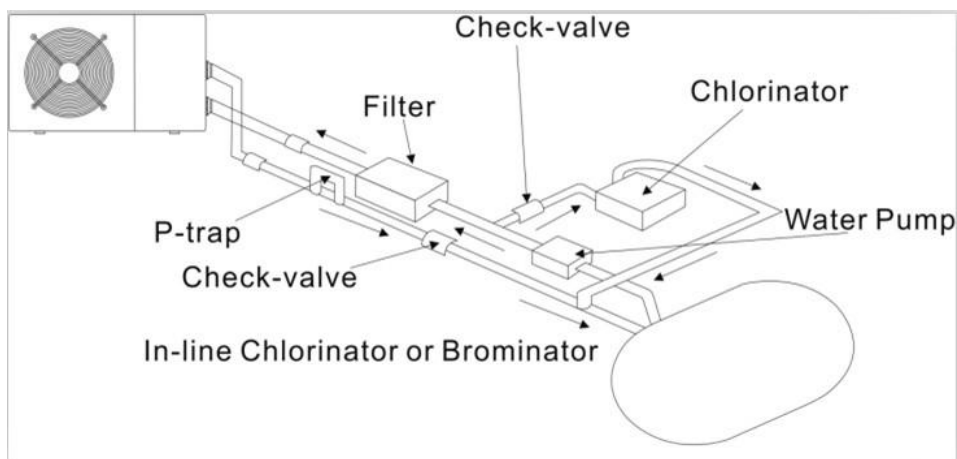
3.3 Distance de votre piscine

La pompe à chaleur est normalement installée dans un périmètre s'étendant à 7,5 m de la piscine. Plus la distance de la piscine est grande, plus la perte de chaleur dans les tuyaux est importante. Les canalisations étant principalement souterraines, la perte de chaleur est faible sur des distances allant jusqu'à 30 m (15 m de et vers la pompe; 30 m au total) à moins que le sol ne soit mouillé ou que le niveau des eaux souterraines soit élevé. Une estimation approximative de la perte de chaleur par 30 m est de 0,6 kWh (2 000 BTU) pour chaque différence de 5 °C entre la température de l'eau dans la piscine et la température du sol entourant le tuyau. Cela augmente la durée de fonctionnement de 3% à 5%.

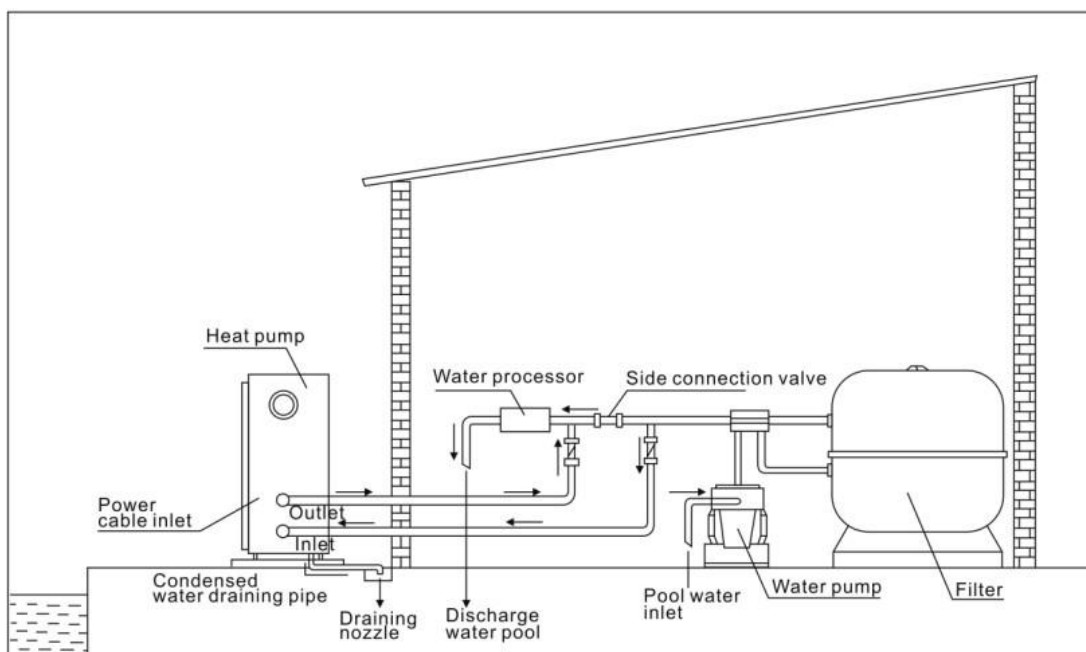
3.4 Installation du clapet anti-retour

Remarque: Si un équipement de dosage automatique du chlore et de l'acidité (pH) est utilisé, il est essentiel de protéger la pompe à chaleur contre des concentrations chimiques excessivement élevées qui peuvent corroder l'échangeur de chaleur. Pour cette raison, des équipements de ce type doivent toujours être installés dans la tuyauterie en aval de la pompe à chaleur, et il est recommandé d'installer un clapet anti-retour pour éviter les inversions de débit en l'absence de circulation d'eau.

Les dommages à la pompe à chaleur causés par le non-respect de ces instructions ne sont pas couverts par la garantie.

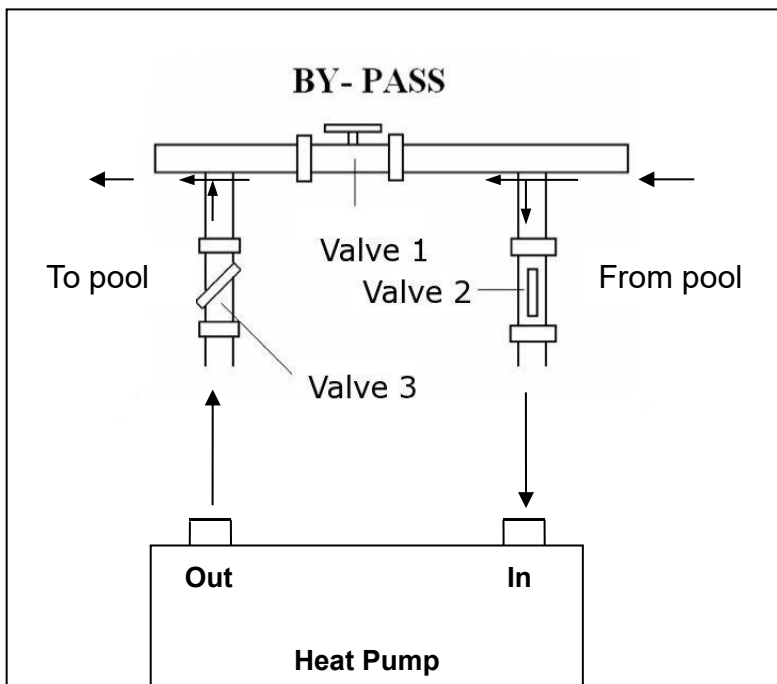


3.5 Installation



Note: Ce montage est un exemple illustratif.

3.6 Réglage du bypass



Utilisez la procédure suivante pour régler la dérivation:

1. Valve 1 grande ouverte. Vanne 2 et vanne 3 fermées.
2. Ouvrez lentement la vanne 2 et la vanne 3 de moitié, puis fermez lentement la vanne 1 pour augmenter le débit d'eau vers la vanne 2 et la vanne 3.
3. S'il indique «ON» ou «EE3» sur l'écran, cela signifie que le débit d'eau dans la pompe à chaleur n'est pas suffisant, alors vous devez ajuster les vannes pour augmenter le débit d'eau à travers la pompe à chaleur.

Comment obtenir le débit d'eau optimal:

Allumez la pompe à chaleur en fonction de chauffage, fermez d'abord le by-pass puis ouvrez-le lentement pour démarrer la pompe à chaleur (la machine ne peut pas démarrer lorsque le débit d'eau est insuffisant).

Continuez à régler le by-pass, en attendant pour vérifier la température de l'eau d'entrée. & La température de l'eau de sortie., Elle sera optimale lorsque la différence est d'environ 2 degrés.

3.7 Connexion électrique

Remarque: Bien que la pompe à chaleur soit isolée électriquement du reste du système de piscine, cela empêche uniquement la circulation du courant électrique vers ou depuis l'eau de la piscine. La mise à la terre est toujours nécessaire pour la protection contre les courts-circuits à l'intérieur de l'unité. Fournissez toujours une bonne connexion à la terre.

Attention: avant toute intervention à l'intérieur de l'appareil, vous devez couper l'alimentation électrique de l'appareil car il existe un risque de choc électrique pouvant entraîner des dommages matériels, des blessures graves voire la mort.

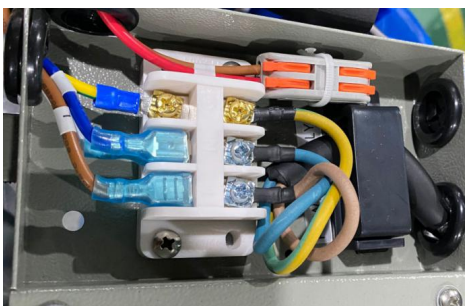
- Des bornes mal serrées peuvent faire chauffer la boîte à bornes, ce qui peut annuler la garantie.
- Seul un technicien qualifié et expérimenté est autorisé à effectuer des travaux de câblage à l'intérieur de l'appareil ou à remplacer le cordon d'alimentation.

Avant de connecter l'unité, vérifiez que la tension d'alimentation correspond à la tension de fonctionnement de la pompe à chaleur.

Il est recommandé de connecter la pompe à chaleur à un circuit avec son propre fusible ou disjoncteur (type lent; courbe D) et d'utiliser un câblage adéquat.

Connectez les fils électriques au bornier marqué «POWER SUPPLY».

Un deuxième bornier marqué «POMPE À EAU» est situé à côté du premier. L'interrupteur de la pompe de filtration (12 V) peut être connecté ici au deuxième bornier. Cela permet de contrôler le fonctionnement de la pompe de filtration par la pompe à chaleur ou le contact extra sec.



3.8 Fonctionnement initial

Remarque: pour chauffer l'eau de la piscine (ou du spa), la pompe de filtration doit être en marche pour que l'eau circule dans la pompe à chaleur. La pompe à chaleur ne démarre pas si l'eau ne circule pas.

Une fois toutes les connexions effectuées et vérifiées, effectuez la procédure suivante:

1. Allumez la pompe de filtration. Recherchez les fuites et vérifiez que l'eau coule de et vers la piscine.
2. Connectez l'alimentation à la pompe à chaleur et appuyez sur le bouton Marche / Arrêt du panneau de commande électronique. L'unité démarrera après l'expiration du délai.
3. Après quelques minutes, vérifiez si l'air qui sort de l'unité est plus froid.
4. Lorsque vous éteignez la pompe de filtration, l'unité doit également s'éteindre automatiquement, sinon, ajustez l'interrupteur de débit.

En fonction de la température initiale de l'eau de la piscine et de la température de l'air, plusieurs jours peuvent être nécessaires pour chauffer l'eau à la température souhaitée. Une bonne couverture de piscine peut réduire considérablement la durée requise.

Commutateur de débit d'eau:

Il est équipé d'un interrupteur de débit pour protéger l'unité HP fonctionnant avec un débit d'eau adéquat.

Temporisation - La pompe à chaleur dispose d'un délai de démarrage intégré de 3 minutes pour protéger les circuits et éviter une usure excessive des contacts. L'unité redémarrera automatiquement après l'expiration de ce délai. Même une brève coupure de courant déclenchera ce délai et empêchera l'unité de redémarrer immédiatement. Les coupures de courant supplémentaires pendant cette période de retard n'affectent pas la durée de 3 minutes du retard.

3.9 Condensation

L'air aspiré dans la pompe à chaleur est fortement refroidi par le fonctionnement de la pompe à chaleur pour chauffer l'eau de la piscine, ce qui peut provoquer de la condensation sur les ailettes de l'évaporateur. La quantité de condensation peut atteindre plusieurs litres par heure à une humidité relative élevée. Ceci est parfois considéré à tort comme une fuite d'eau.

3.10 Modes de fonctionnement pour une utilisation optimale



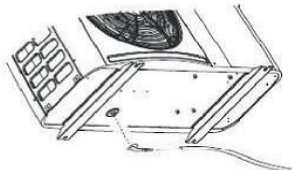
- PUISSANT: Utilisé principalement en début de saison car ce mode permet une montée en température très rapide
- SMART: La pompe à chaleur a terminé sa tâche principale, dans ce mode; la pompe à chaleur est en mesure de maintenir l'eau de la piscine d'une manière économe en énergie. En ajustant automatiquement la vitesse du compresseur et du ventilateur, la pompe à chaleur offre un meilleur retour.
- SILENCIEUX: en été, lorsque la puissance calorifique est minimale, la pompe à chaleur dans ce mode est encore plus rentable. Avantage supplémentaire; lorsque la pompe à chaleur chauffe. Cela va avec une charge sonore minimale.

4. Accessoires

4.1 Liste des accessoires

		
Patin caoutchouc anti-vibration, qté 4	Connecteur d'évacuation, qté 2	Couvercle de protection, qté 1
		
Couverture d'hivernage, qté 1	tuyaux de drainage, qté 2	Fil de la commande déportée longueur 10m, qté 1

4.2 Installation des accessoires et connexions

	<p>Patin caoutchouc anti-vibration</p> <ol style="list-style-type: none">1. Prenez les patins caoutchoucs2. Déposez-les un par un sous les pieds de la machine.
 	<p>Connecteur d'évacuation</p> <ol style="list-style-type: none">1. Installez le connecteur d'évacuation sous la machine.2. Connectez un tuyau d'eau pour évacuer l'eau. <p>Nota : Inclinez légèrement la pompe à chaleur comme sur la photo ci-contre. Ne basculez pas la pompe à chaleur, sinon cela va endommager le compresseur.</p>



Connecteurs d'admission et de sortie d'eau

1. Utilisez du ruban téflon pour installer les connecteurs d'admission et de sortie d'eau dans la pompe à chaleur.
2. Installez les raccords comme sur la photo ci-contre
3. Vissez sur l'entrée et la sortie d'eau



Câble alimentation

1. Ouvrez le couvercle du boîtier électrique
2. Fixez le fil d'alimentation sur les joints L N E



Câble de la pompe de filtration

1. Ouvrez le couvercle du boîtier électrique
2. Avec les connecteurs 1 et 2, vous pouvez piloter la filtration de l'eau à travers la minuterie de la filtration (contact sec).

4.3 Connexion à la pompe de filtration

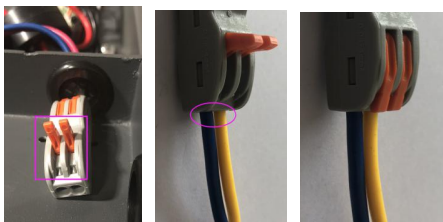


Photo 1 Photo 2 Photo 3

- Ouvrez le bouton vers le haut comme (Photo 1)
 - Fixez le câblage à contact sec à travers les deux trous comme (Photo 2 et Photo 4)
- Appuyez sur le bouton et serrez le câblage comme (Photo 3)

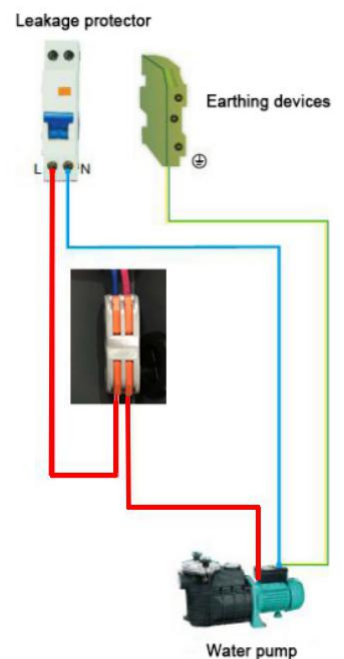
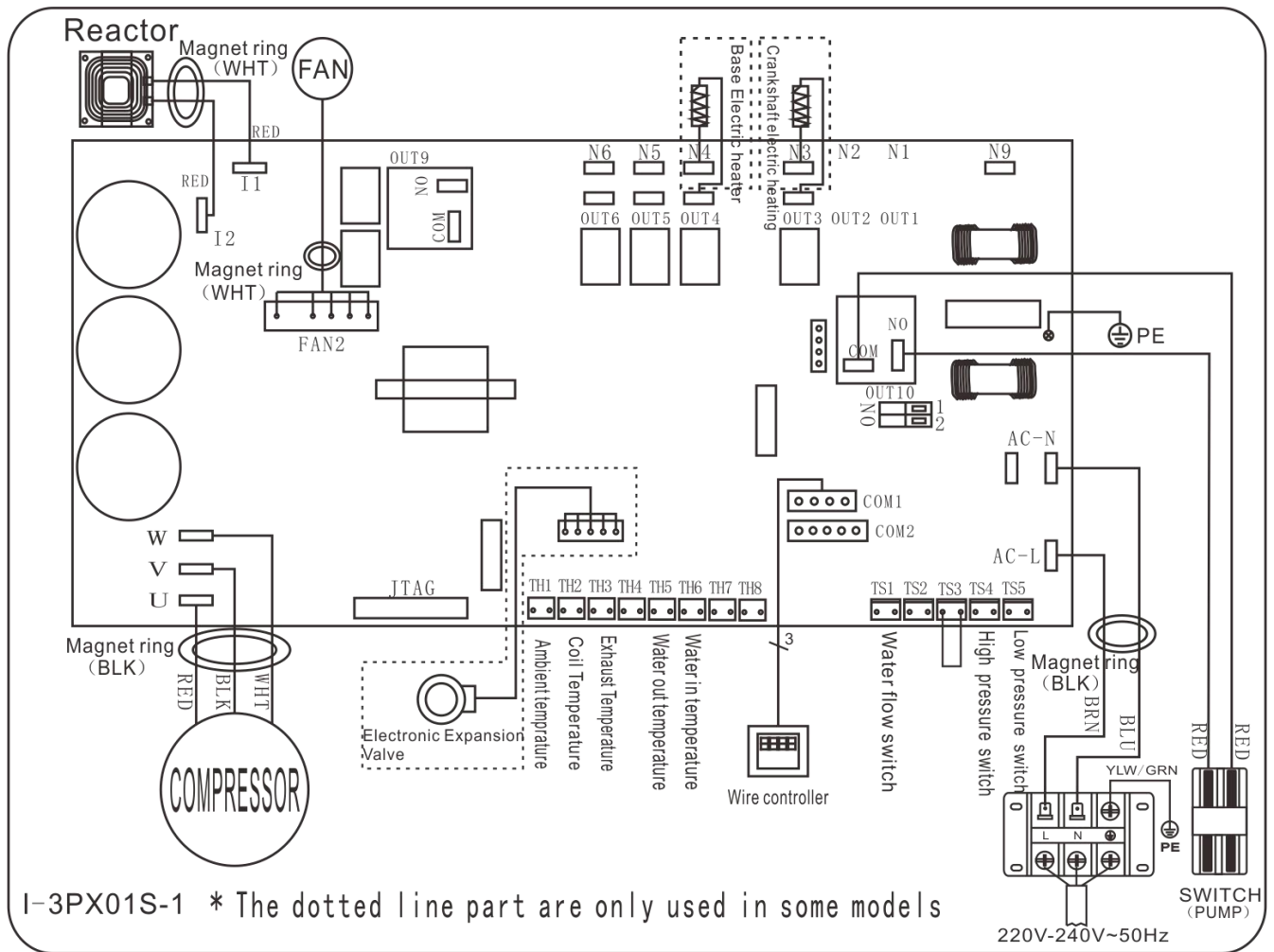


Photo 4

5. Câblage électrique

5.1 Schéma de câblage de la pompe à chaleur de piscine VSP-10 / VSP-12 / VSP-15 / VSP-17



REMARQUE:

- (1) Ci-dessus le schéma de câblage électrique uniquement à titre de référence, veuillez soumettre la machine à afficher le schéma de câblage.
- (2) La pompe à chaleur de la piscine doit être bien connectée au fil de terre, bien que l'échangeur de chaleur de l'unité soit isolé électriquement du reste de l'unité. La mise à la terre de l'unité est toujours nécessaire pour vous protéger contre les courts-circuits à l'intérieur de l'unité. .
- (3) Il est recommandé que votre pompe de filtration de piscine et votre thermopompe soient câblées indépendamment.

Le câblage de votre pompe de piscine dans la pompe à chaleur entraînera l'arrêt de votre filtration une fois l'eau de la piscine a atteint la température.

Ne câblez la pompe de piscine à travers la pompe à chaleur que si vous avez une pompe de piscine pour le chauffage uniquement indépendante du système de filtration de votre piscine.

5.2 Installation de la commande déportée

Photo(1)



Photo(2)



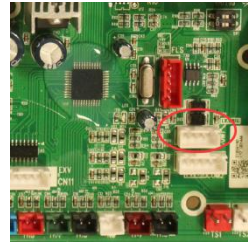
Photo(3)



Photo(4)



Photo(5)



1. Raccordez le fil du signal, avec le contrôleur sur les broches (photos 1 et 2).
2. Passez le fil au travers du bloc de raccordement (photos 3 et 4).
3. Ensuite connecter sur la carte électronique (photo 5).

6. Fonctionnement du contrôleur d'affichage


6.1 Les boutons du contrôleur de fil LED




A la mise sous tension de la machine, l'écran affiche pendant 3 secondes le code qui indique le modèle de la pompe à chaleur.


6.2 Démarrer ou arrêter la pompe à chaleur

6.2.1 Touche



Appuyez sur  pour démarrer la pompe à chaleur, l'écran LED affichera la température d'eau demandée pendant 5 secondes, ensuite affichage de la température d'arrivée d'eau.

Appuyez sur  pour arrêter la pompe à chaleur, l'unité s'arrête et l'écran affiche « OFF »



Attention : Après toute mise à jour, appuyez sur  pour sauvegarder la consigne et sortir du Mode réglage.

Appuyez sur  pour arrêter / démarrer la pompe à chaleur.

6.2.2 Touche et

Appuyez sur  et  pendant 5 secondes pour débloquer la commande.

Réglage de la température de l'eau :



Appuyez sur  et  pour sélectionner la température souhaitée








6.2.3v Touche

Comment vérifier les paramètres.

Appuyez sur  ensuite appuyez sur  afin de vérifier les paramètres (de d0 à d14).

Paramètres	Signification	Amplitude	Remarques
d0	IPM temperature	0-120°C	Valeur test exact par défaut
d1	Température de l'eau d'arrivée	-9°C~99°C	Valeur test exact par défaut
d2	Température de l'eau en sortie	-9°C~99°C	Valeur test exact par défaut
d3	La température ambiante	-30°C~70°C	Valeur test exact par défaut
d4	Code de limitation de fréquence de fonctionnement	0,1,2,4,8,16	Valeur test exact par défaut
d5	Température du circuit	-30°C~70°C	Valeur test exact par défaut
d6	Température d'échappement du gaz	0°C~C5°C (125°C)	Valeur test exact par défaut
d7	Position du moteur pas à pas	0~99	N*5
d8	Fréquences de fonctionnement du compresseur	0~99Hz	Valeur test exact par défaut
d9	Intensité du compresseur	0~30A	Valeur test exact par défaut
d10	Intensité du ventilateur	0-1200 (rpm)	Valeur test exact par défaut
d11	Code erreur multiple	Code erreur multiple	

Appuyez sur  ensuite appuyez sur  afin de vérifier et ajuster les paramètres (de P0 à P7, voir les illustrations en dessous).

Si nécessaire, appuyez sur  seconde, puis appuyez sur  ou  pour régler le paramètre actuel. Exemple ; Appuyez sur  pendant 5 secondes, ensuite appuyez sur  afin de choisir le paramètre P7, ensuite appuyez sur  ou  pour appliquer la correction (-9~9)

Paramètres	Signification	Amplitude	Défaut	Remarques
P0	Dégivrage	0-1	0	Mode 0 mode normal / Mode 1 dégivrage
P1	Mode de fonctionnement	1	1	Mode 1 chauffage
P2	Arrêt / Marche de l'horloge	0-1	0	Mode 1 l'horloge d'arrêt et de Marche sont programmés, Mode 0 l'horloge et hors fonction (les paramètres P5 à P6 ne sont pas actifs)
P3	Pilotage de la pompe filtration	0-1	0	Mode 1 toujours en fonctionnement, Mode 0 dépend du fonctionnement du compresseur
P4	Horaire	HH:MM	00: 00	<u>0-23:0-59</u>
P5	Heure démarrage	HH:MM	00: 00	<u>0-23:0-59</u>
P6	Heure d'arrêt	HH:MM	00: 00	<u>0-23:0-59</u>
P7	Calibrage de la température d'eau	-9~9	0	Par défaut : 0

Remarque: en mode dégivrage, P0 = 1.

Une fois le dégivrage terminé, il entrera automatiquement en mode normal, P0 = 0.

6.2.4 Fonctionnement liée à la filtration

Option 1 ; P3=0 La pompe de filtration démarre et s'arrête en fonction de la pompe à chaleur.

La pompe de filtration démarre 60 secondes avant le compresseur, la pompe de filtration démarre 30 secondes et actionne le détecteur de débit d'eau. Lorsque la pompe à chaleur passe en mode veille, la pompe de filtration s'arrête 5 minutes après l'arrêt du compresseur.

	Etat	Exemple	Logique de pilotage de la filtration	
Mode de chauffage	P3=0, $T1 \geq T_{set} - 0.5$ °C, pendant une durée de 30 minutes	P3=0, $T1 \geq 27.5$ °C, pendant une durée 30 minutes	1. La pompe de filtration entrera en mode veille et ne redémarrera pas avant 1 heure, sauf coupure de l'alimentation et redémarrage.	2. Une heure après, la filtration démarre à nouveau pour 5 minutes. Si $T1 \leq 27$ °C, la pompe à chaleur fonctionne jusqu'à $T1 \geq 27.5$ °C et s'arrête alors pour une durée de 30 minutes.
Mode de refroidissement	P3=0, $T1 \leq T_{set} + 0.5$ °C, pendant une durée de 30 minutes	P3=0, $T1 \leq 28.5$ °C, pendant une durée de 30 minutes	1. La pompe de filtration entrera en mode veille et ne redémarrera pas avant 1 heure, sauf coupure de l'alimentation et redémarrage.	2. Une heure après, la filtration démarre à nouveau pour 5 minutes. Si $T1 \geq 29$ °C, la pompe à chaleur fonctionne jusqu'à $T1 \leq 28.5$ °C et s'arrête alors pour une durée de 30 minutes.

Option 2 ; P3=1 la filtration est toujours active, P2=0 l'horloge non active

Avec la condition P3=1, quand $T1 \geq T_{set} + 1$ °C est atteint pendant 3 minutes, la pompe à chaleur s'arrête et la filtration continue d'être activé.



Sous l'option 2, avec activation de l'horloge ; P2=1 nous allons démarrer et arrêter la pompe de filtration en fonction de la programmation de P4 (horloge), P5 (heure de démarrage), P6 (heure d'arrêt)

Condition pour que la pompe à chaleur démarre, horloge ON active ;

Quand l'horloge atteint l'heure de démarrage, la pompe de filtration démarre 5 minutes avant la pompe à chaleur. Elle reste à l'arrêt si la température de l'eau est $\geq T_{set} + 1$, avant que l'horloge soit atteint son heure d'arrêt, la pompe de filtration reste active jusqu'à l'atteinte de l'heure d'arrêt.

Condition pour que la pompe à chaleur s'arrête, horloge OFF active ;

Quand l'horloge atteint l'heure d'arrêt, la pompe à chaleur s'arrête et 5 minutes après la pompe de filtration s'arrête.

NB ; La LED du symbole de démarrage , s'affiche quand le mode est actif, le symbole d'arrêt , s'affiche quand le mode est actif. En d'hors des heures l'écran affiche **OFF**.

Si action sur ON/OFF la pompe de filtration démarre et s'arrête en fonction.

REMARQUE :



Tset = régler la température de l'eau, par exemple : Tset = 28°C température de l'eau souhaitez de la piscine

Tset - 0.5 = moins de 0.5°C de la température de consigne, Tset -0.5 = 28-0.5 = 27.5°C

Tset + 0.5 = plus de 0.5°C de la température de consigne, Tset + 0.5 = 28+0.5=28.5°C

6.2.5 Retour aux paramètres d'usines

Retour aux paramètres d'usines

Appuyez sur  et  en même temps pendant 10 secondes pour revenir aux paramètres d'usines, le Display affiche « 0000 » pendant 5 secondes.

6.2.6 Mode chauffage



La LED est éclairée en Mode chauffage et clignote lorsque la pompe passe en mode dégivrage.

6.2.7 Mode arrêt automatique



Le symbole d'arrêt programmé s'affiche quand le mode est actif.

6.2.8 Mode démarrage automatique



Le symbole de démarrage programmé s'affiche quand le mode est actif

6.2.9 Mode Powerful



Appuyez sur ce bouton, la LED s'éclaire et le mode Powerful est actif.

Si vous choisissez Power, la pompe à chaleur fonctionne en Powerful.

6.2.10 Mode Smart



Appuyez sur ce bouton, la LED s'éclaire et le mode Smart est actif.

Par défaut la pompe est réglée d'usine en Mode Smart.

Si vous choisissez Smart, la pompe à chaleur fonctionne de Smart à Power.

La LED Smart s'éclaire et la LED Power clignote en fonctionnement Power

6.2.11 Mode Silent



Appuyez sur ce bouton, la LED s'éclaire et le mode Silent est actif.

Si vous choisissez Silent, la pompe à chaleur fonctionne de Silent à Smart.

La LED Silent s'éclaire et la LED Smart clignote en fonctionnement Smart

7. Guide de dépannage

7.1 Code d'erreur affichée sur le tableau de commande

Dysfonctionnement	Code d'erreur	Raison	Solutions
Défaillance du capteur de température d'eau arrivée d1-TH6	PP01	1. Raccordement défaillant 2. Capteur en court-circuit ou défectueux	1. Connecter correctement 2. Vérifiez les valeurs où remplacer le capteur
Défaillance du capteur de température d'eau sortie d2-TH5	PP02	1. Raccordement défaillant 2. Capteur en court-circuit ou défectueux	1. Connecter correctement 2. Vérifiez les valeurs où remplacer le capteur
Défaillance du capteur de condenseur de chauffage d5-TH2	PP03	1. Raccordement défaillant 2. Capteur en court-circuit ou défectueux	1. Connecter correctement 2. Vérifiez les valeurs où remplacer le capteur
Défaillance du capteur de température ambiante d3-TH1	PP05	1. Raccordement défaillant 2. Capteur en court-circuit ou défectueux	1. Connecter correctement 2. Vérifiez les valeurs où remplacer le capteur
Défaillance du capteur de condenseur de refroidissement d6-TH3	PP06	1. Raccordement défaillant 2. Capteur en court-circuit ou défectueux	1. Connecter correctement 2. Vérifiez les valeurs où remplacer le capteur
Protection antigel du premier niveau en hiver	PP07	La température ambiante ou la température d'eau arrivée est trop faible vérifier d3 et d1	Protection automatique antigel du premier niveau
Protection de température ambiante trop basse	PP08	1. La température ambiante trop faible, vérifier d3 2. Capteur en court-circuit ou défaillant d3-TH1	1. Vérifier la température 2. Changer le capteur
Protection haute pression TS4	EE01	1. Température ambiante trop haute 2. Température de l'eau trop haute 3. Vérifier la vitesse du ventilateur	1. Vérifier le by-pass et le débit d'eau 2. Vérifier le ventilateur 3. Vérifier le gaz
Protection basse pression	EE02	1. Réfrigérant ne suffit pas 2. Le débit d'eau n'est pas suffisant 3. Filtre ou vanne électronique bloqué	1. Vérifiez s'il y a des fuites de gaz, re remplissez le réfrigérant 2. Nettoyez l'échangeur d'air 3. Vérifier la charge en gaz

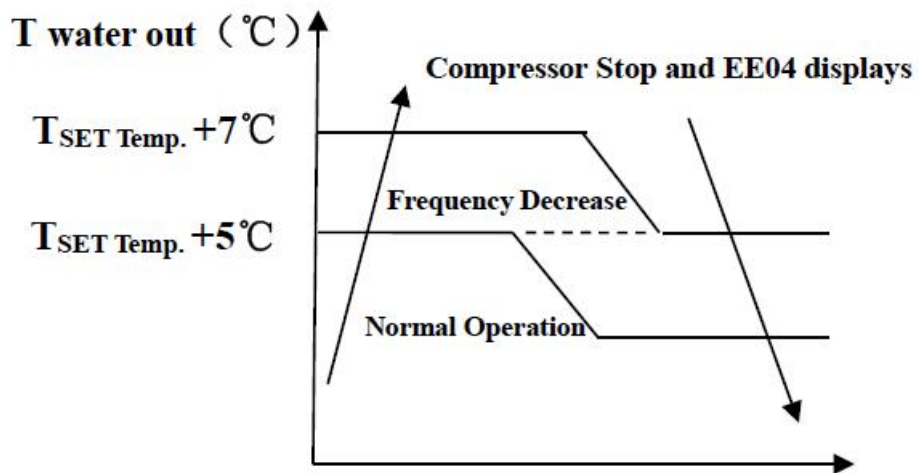
Dysfonctionnement	Code d'erreur	Raison	Solutions
Protection débit d'eau	EE03 or "ON"	<ol style="list-style-type: none"> 1. Le débit d'eau n'est pas suffisant, filtre ou vanne bloqué 2. Détecteur de débit défaillant 3. Interrupteur de flux mal monté. 	<ol style="list-style-type: none"> 1. Vérifier si le débit est suffisant 2. Changer le détecteur de débit 3. Vérifier la position du commutateur de débit en fonction du sens d'écoulement de l'eau.
En mode chauffage, défaut surchauffe température (d2-TH5)	EE04	<ol style="list-style-type: none"> 1. Le débit d'eau n'est pas suffisant, filtre ou vanne bloqué 2. Détecteur de débit défaillant 3. La valeur du capteur d2-TH5 est anormale 	<ol style="list-style-type: none"> 1. Vérifier si le débit est suffisant 2. Changer le détecteur de débit 3. Remplacer le capteur d2-TH5
Protection température d'échappement d6-TH3	EE05	<ol style="list-style-type: none"> 1. Réfrigérant ne suffit pas 2. Le débit d'eau n'est pas suffisant 3. Filtre ou vanne électronique bloqué 4. Défaut sonde d6-TH3 	<ol style="list-style-type: none"> 1. Vérifiez s'il y a des fuites de gaz, re remplissez le réfrigérant 2. Vérifier le By-pass 3. Vérifier la charge en gaz 4. Vérifier la sonde d6-TH3
Défaut contrôleur	EE06	<ol style="list-style-type: none"> 1. Le raccordement est défaillant 2. Le contrôleur est défaillant 	<ol style="list-style-type: none"> 1. Vérifiez la connexion 2. Vérifier changer le câble 3. Arrêt / Marche de la machine 4. Vérifier changer le contrôleur
Protection du compresseur	EE07	<ol style="list-style-type: none"> 1. Vérifiez la connexion 2. Vérifier le raccordement 3. Accumulation liquide et gaz 4. Compresseur ou carte électronique défaillant 5. débit d'eau anormal 6. Fluctuation alimentation électrique 	<ol style="list-style-type: none"> 1. Vérifiez le compresseur 2. Vérifier les 3 phases 3. Les tensions d'alimentation 4. Vérifier les phases 5. Vérifier le débit d'eau 6. Vérifier le réseau électrique
Défaillance de communication entre le contrôleur et la carte de puissance	EE08	<ol style="list-style-type: none"> 1. Le raccordement est défaillant 2. Le contrôleur est défaillant 	<ol style="list-style-type: none"> 1. Vérifiez la connexion 2. Vérifier changer le câble 3. Vérifier changer le contrôleur
Défaillance de communication entre le contrôleur et la carte de commande	EE09	<ol style="list-style-type: none"> 1. Le raccordement est défaillant 2. Le contrôleur est défaillant 	<ol style="list-style-type: none"> 1. Vérifiez la connexion 2. Vérifier changer le câble
Protection haut voltage	EE10	<ol style="list-style-type: none"> 1. Tension trop haute 2. Carte puissance défaillant 	<ol style="list-style-type: none"> 1. Vérifiez la tension 2. Changer la carte de puissance et/ou de commande
Défaillance carte mère IPM Module	EE11	<ol style="list-style-type: none"> 1. Les données ne sont pas correctes 2. Vérifier le raccordement 3. Accumulation liquide et gaz 4. Compresseur ou la carte est défaillante 	<ol style="list-style-type: none"> 1. Erreur de programmation, couper l'alimentation électrique et démarrer après 3 minutes 2. Changer la carte 3. Vérifier les séquences

Dysfonctionnement	Code d'erreur	Raison	Solutions
L'alimentation électrique est trop faible	EE12	1. La tension d'alimentation n'est pas correcte 2. La carte de puissance est défectueuse	1. Vérifier la tension d'alimentation 2. Changer la carte
Protection électrique	EE13	1. Les données ne sont pas correctes 2. Le débit est anormal 3. La tension n'est pas stable 4. Défaillance de l'inducteur PFC	1. Vérifiez le compresseur 2. Vérifier le circuit d'eau 3. Vérifier les tensions d'alimentation 4. Vérifier
Module IPM température de fonctionnement anormale	EE14	1. La tension d'alimentation n'est pas correcte 2. Le moteur du ventilateur est défectueux ou les hélices sont cassées	1. Vérifiez la carte de puissance 2. Vérifier la vitesse du ventilateur 3. Vérifier les hélices
Protection haute température module IPM	EE15	1. La tension d'alimentation n'est pas correcte 2. Le moteur du ventilateur est défectueux ou les hélices sont cassées	1. Vérifiez la carte électronique 2. Vérifier la vitesse du ventilateur 3. Vérifier les hélices
Protection module PFC	EE16	1. Les données ne sont pas correctes 2. Le moteur du ventilateur est défectueux 3. Les hélices sont cassées 4. La tension n'est pas stable	1. Vérifiez la carte électronique 2. Vérifier la vitesse du ventilateur 3. Vérifier les hélices 4. Vérifier la tension
Défaut ventilateur DC	EE17	1. Le moteur du ventilateur est défectueux 2. La carte électronique est défectueuse 3. Les hélices sont défectueuses	1. Vérifiez le moteur du ventilateur 2. Changer la carte électronique 3. Vérifier les hélices
Module PFC température de fonctionnement anormale	EE18	La carte électronique est défectueuse	1. Changer la carte électronique 2. Vérifier la vitesse du ventilateur 3. Vérifier les hélices
Protection haute température module PFC	EE19	1. La tension d'alimentation n'est pas correcte 2. Le moteur du ventilateur est défectueux 3. Les hélices sont cassées 4. Les raccords sur la carte de puissance ne sont pas serrés	1. Vérifiez la carte électronique 2. Vérifier la vitesse du ventilateur 3. Vérifier les hélices 4. Vérifier les raccordements, resserrer les vis

Dysfonctionnement	Code d'erreur	Raison	Solutions
Défaut puissance d'alimentation	EE20	La puissance d'alimentation varie de façon trop importante	Vérifier la tension d'alimentation
Défaut programme	EE21	1. Le compresseur perd des pas, vitesse irrégulière 2. Défaut programme 3. Impureté dans le compresseur	1. Vérifiez la carte électronique 2. Recharger le programme
Protection haute tension	EE22	1. La tension d'alimentation n'est pas correcte 2. La carte d'alimentation est défectueuse	1. Vérifiez la carte électronique 2. Changer la carte électronique
Défaut démarrage du compresseur	EE23	1. La carte d'alimentation est défectueuse 2. Vérifier le raccordement 3. Accumulation liquide et gaz 4. La tension n'est pas stable	1. Vérifiez la carte électronique 2. Vérifier les raccordements ou changer le compresseur
Température ambiante ou carte électronique	EE24	La température ambiante ou la température d'eau arrivée est trop faible	Vérifier et changer la carte électronique
Défaut alimentation du compresseur	EE25	Le compresseur marche sur 1 ou 2 phases	Vérifier le câblage
Défaut données mémoire EEPROM	EE27	1. Perte des données dans la mémoire 2. Défaut carte électronique	1. Recharger les données dans la mémoire 2. Changer la carte électronique
Défaut de communication avec le contrôleur	EE28	Défaut sur la carte électronique	1. Arrêt / marche pour redémarrer 2. Vérifier et changer la carte électronique

Remarques :

1. En mode chauffage, si la température de sortie d'eau est supérieure à la température réglée de 7°C, le contrôleur affiche EE04 protection contre la surchauffe de l'eau.



EE04 En mode chauffage, défaut surchauffe température (T2)

Par exemple comme ci-dessous :

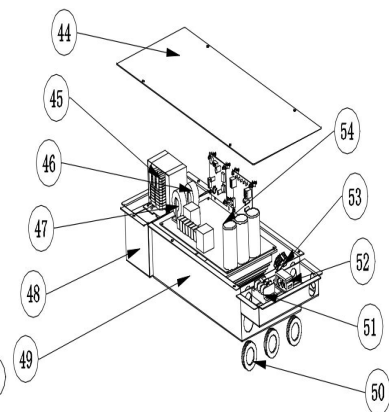
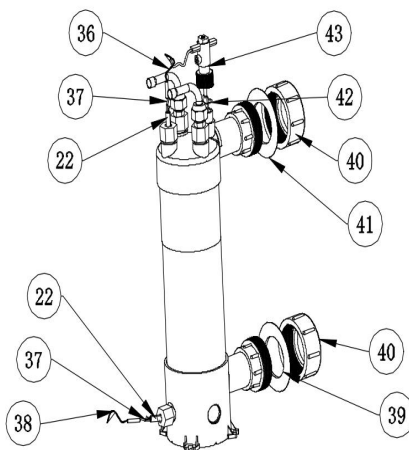
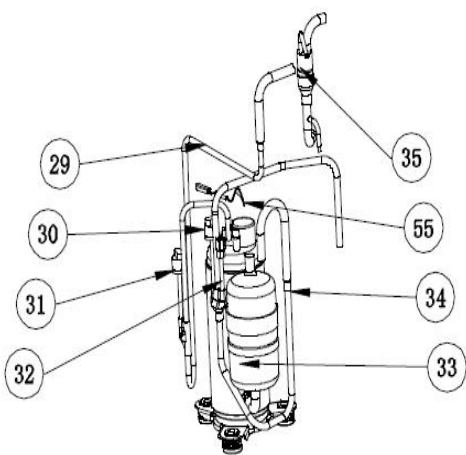
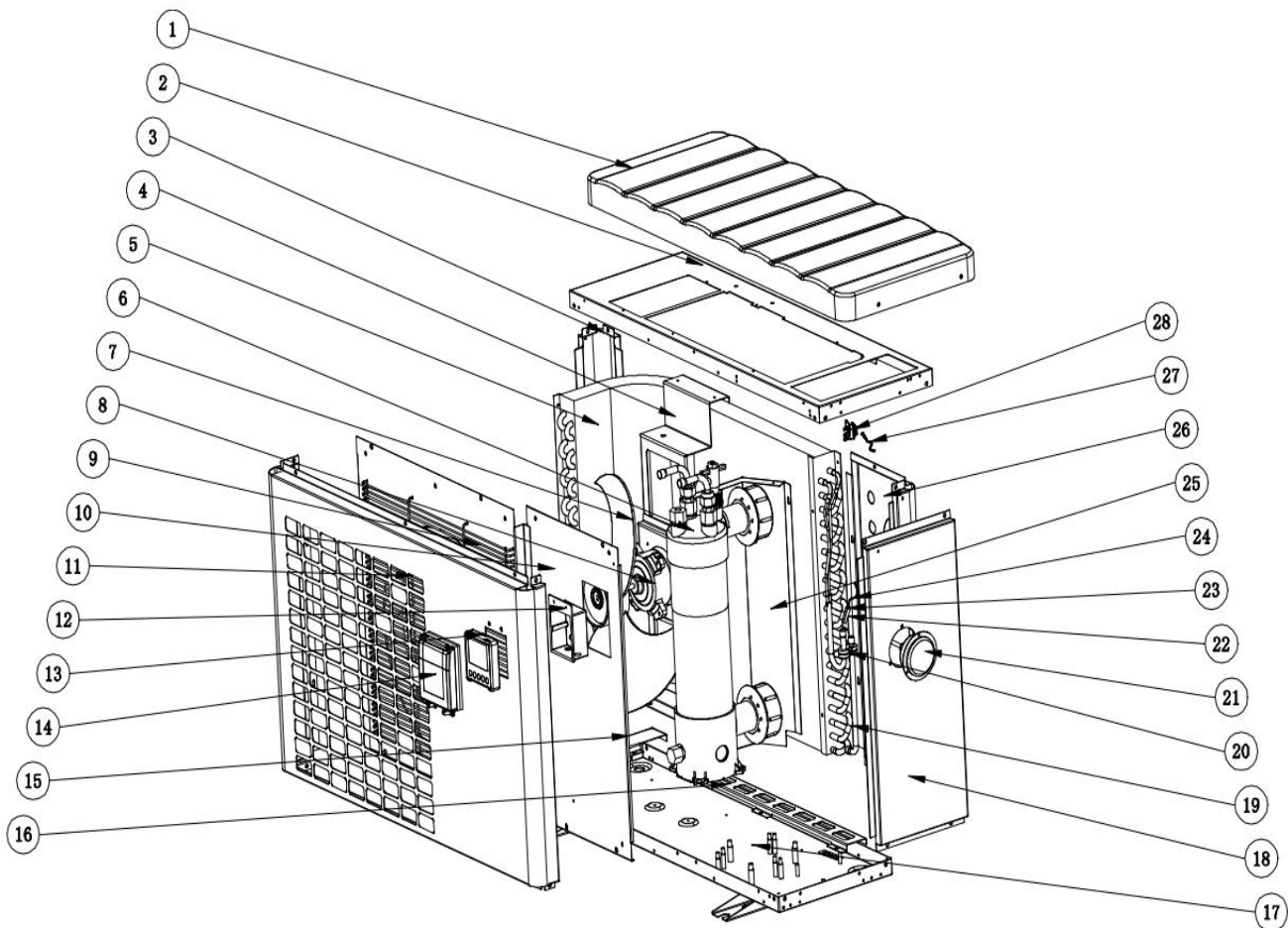
Mode	Température d'eau	Température Point de consigne	État	Mauvais fonctionnement
Mode de chauffage	36°C	29°C	T de l'eau \cong 7°C par rapport à la T désiré	EE04 En mode chauffage, défaut surchauffe température (T2)

7.2 Dysfonctionnement sans code d'erreurs affichées sur l'écran

Dysfonctionnements	Observations	Raisons	Solutions
La Pompe à chaleur ne fonctionne pas	Aucun affichage sur le contrôleur à LED	Pas d'alimentation	Vérifiez le disjoncteur du câble et du circuit soit connecté
	Contrôleur à LED affiche l'heure	Pompe à chaleur en état de veille	Démarrez la pompe à chaleur.
	Contrôleur à LED affiche la température réelle de l'eau.	<ol style="list-style-type: none"> 1. Température de l'eau atteint presque la valeur fixée, pompe à chaleur est en état à température constante. 2. Pompe à chaleur commence juste à fonctionner 3. En état de dégivrage 	<ol style="list-style-type: none"> 1. Vérifiez le réglage de température de l'eau. 2. Démarrez la pompe à chaleur après quelques minutes. 3. Contrôleur à LED doit afficher "Dégivrage"
Fonctionnement court	Contrôleur à LED affiche la température réelle de l'eau, aucun code d'erreur ne s'affiche	<ol style="list-style-type: none"> 1. Ventilateur ne fonctionne pas 2. La ventilation d'air n'est pas suffisante 3. Réfrigérant ne suffit pas. 	<ol style="list-style-type: none"> 1. Vérifiez les connexions des câbles entre le moteur et le ventilateur, le cas échéant, il doit être remplacé. 2. Vérifiez l'emplacement de l'unité de pompe à chaleur, et éliminez tous les obstacles pour faire bonne ventilation. 3. Remplacez ou réparez l'unité
Tâches d'eau	Les tâches d'eau sur la pompe à chaleur	<ol style="list-style-type: none"> 1. Protection. 2. Infiltration d'eau. 	<ol style="list-style-type: none"> 1. Aucune action (condensat) 2. Vérifiez l'échangeur de chaleur en titane avec soin, s'il y a une fuite
Trop de glace sur l'évaporateur	Trop de glace sur l'évaporateur.		<ol style="list-style-type: none"> 1. Vérifiez l'emplacement de l'unité de pompe à chaleur, et éliminez tous les obstacles 2. Contacter le service technique

8. Schéma éclaté et liste des pièces détachées

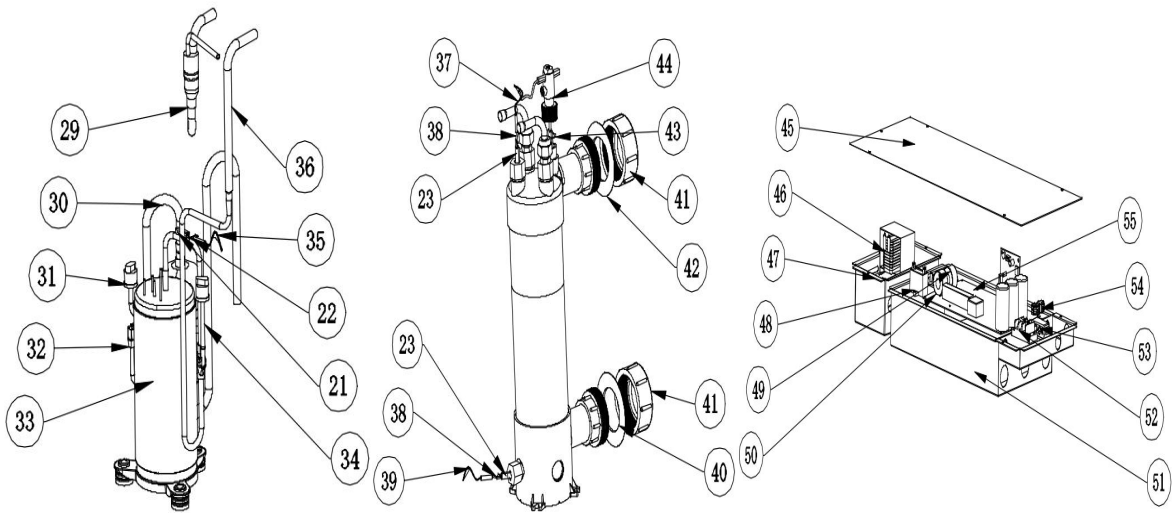
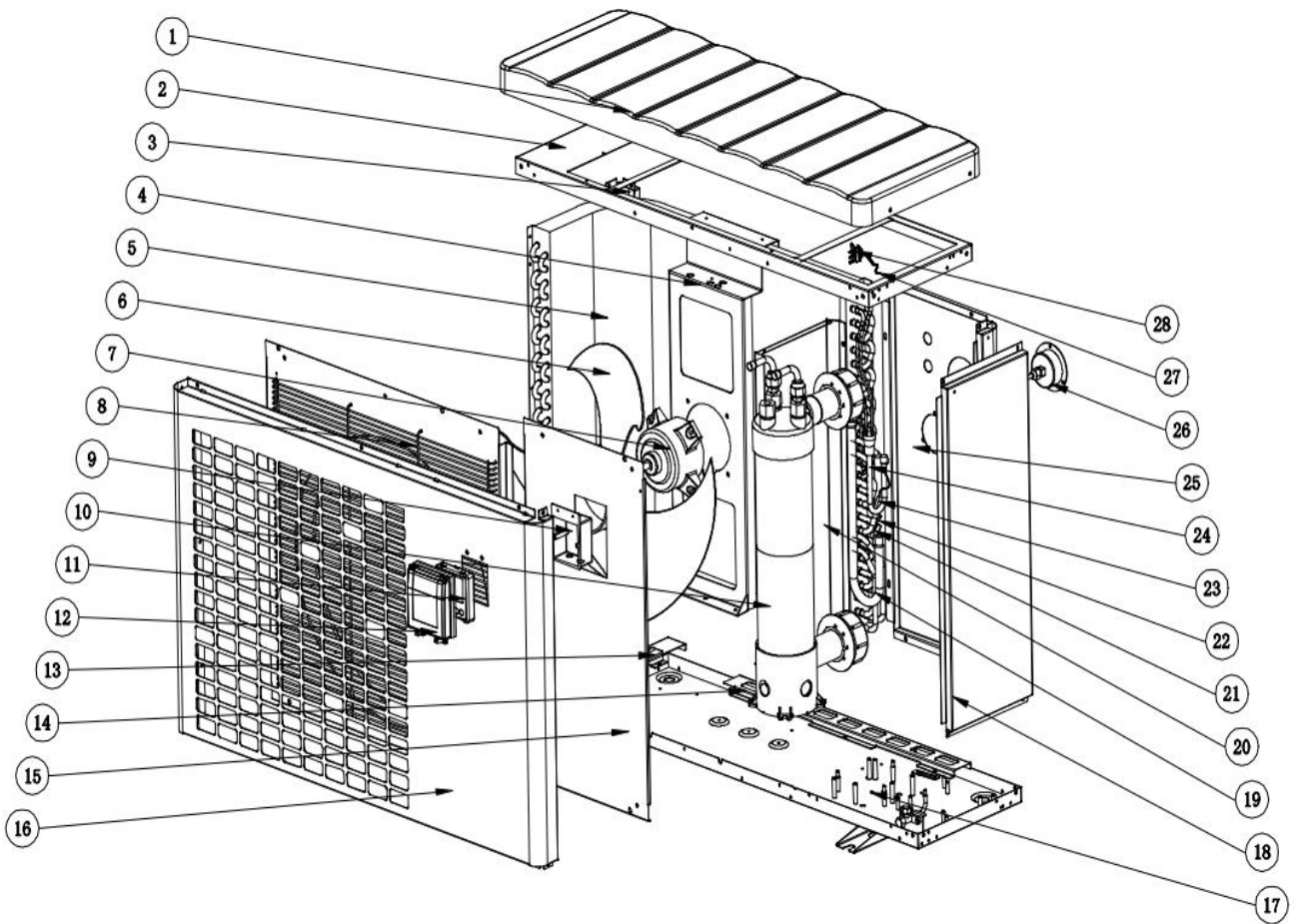
8.1 Modèle: VSP-10



List des pièces: VSP-10

NO	ERP CODE	DESIGNATION	NO	ERP CODE	DESIGNATION
1	133340015	Panneau supérieur	29	113020611	Tube échappement gaz
2	108830029	Cadre supérieur	30	112100046	Sonde basse pression
3	108830055	Pilier	31	112100030	Sonde haute pression
4	108830006	Support ventilateur	32	120000098	Vanne gaz
5	103000271	Evaporateur	33	101000221	Compresseur
6	102040856	Echangeur en titane	34	113020565	Tube retour gaz
7	113600007	Pâle ventilateur	35	113090091	Échangeur à capillaire
8	112000041	Moteur ventilateur	36	117110012	Sonde de température de sortie d'eau TH6
9	108830057	Assemblage du panneau avant	37	108010025	Clip de fixation sonde
10	108830024	Panneau de maintenance	38	117110011	Sonde de température d'entrée d'eau TH5
11	108830060	Panneau avant	39	133020011	Joint bleu
12	133030011	Couvercle de protection	40	113900082	Raccord d'eau
13	117020244	contrôleur	41	133020012	Joint rouge
14	113712007	Couvercle du contrôleur	42	133020026	Joint d'étanchéité
15	108830004	Tampon évaporateur	43	112100021-1	Détecteur de débit
16	108830005	Tampon évaporateur	44	108830031	Couvercle coffret électrique
17	108830017	Base	45	117230003	Réacteur
18	108830059	Panneau côté droit	46	117240002	Anneau magnétique
19	103000271	Tube gaz	47	117240003	Anneau magnétique
20	136020018	Bloc de caoutchouc	48	108830026	Coffret réacteur
21	106000011	Manomètre	49	108830030	Coffret électrique
22	113190001	Clip de fixation sonde	50	136020119	Anneau en caoutchouc
23	113190007	Fourreau sonde de température	51	115000002	Bornier triple
24	117110004	Sonde de température dégivrage TH2	52	136010004	Serre câble
25	108830003	Panneau d'isolation	53	115000060	Bornier double
26	108830056	Panneau arrière	54	117100069	Carte électronique
27	117110020	Sonde de température ambiante TH1	55	117110021	Sonde température d'échappement TH3
28	133020010	Clip de fixation sonde			

9.2 Modèle: VSP-12 / VSP-15 / VSP-17



Liste des pièces: VSP-12

NO	ERP CODE	DESIGNATION	NO	ERP CODE	DESIGNATION
1	133300019	Panneau supérieur	29	113090087	Échangeur à capillaire
2	108790071	Cadre supérieur	30	113020544	Tube retour gaz
3	108790107	Pilier	31	112100046	Sonde basse pression
4	108790027	Support ventilateur	32	120000097	Vanne gaz
5	103000283	Evaporateur	33	101000222	Compresseur
6	132000015	Pâle ventilateur	34	112100030	Sonde haute pression
7	112000031	Moteur ventilateur	35	117110021	Sonde température d'échappement d6-TH3
8	108790127	Assemblage du panneau avant	36	113010392	Tube échappement gaz
9	133030011	Couvercle de protection	37	117110012	Sonde de température de sortie d'eau TH6
10	102040861	Echangeur en titane	38	108010025	Clip de fixation sonde
11	117020244	contrôleur	39	117110011	Sonde de température d'entrée d'eau TH5
12	113712007	Couvercle du contrôleur	40	133020011	Joint bleu
13	108790025	Tampon évaporateur	41	113900082	Raccord d'eau
14	108790026	Tampon évaporateur	42	133020012	Joint rouge
15	108790081	Panneau de maintenance	43	133020026	Joint d'étanchéité
16	108790106	Panneau avant	44	112100021-1	Détecteur de débit
17	108790101	Base	45	108790072	Couvercle coffret électrique
18	108790109	Panneau côté droit	46	117230003	Réacteur
19	103000283	Tube gaz	47	108790073	Coffret réacteur
20	108790024	Panneau d'isolation	48	111000006	Condensateur de ventilateur
21	113190001	Clip de fixation sonde	49	117240002	Anneau magnétique
22	113190007	Fourreau sonde de température	50	117240003	Anneau magnétique
23	117110004	Sonde de température dégivrage d5-TH2	51	108790075	Coffret électrique
24	103000283	Tuyauterie de distribution	52	115000002	Bornier triple
25	108790108	Panneau arrière	53	136010004	Serre câble
26	106000011	Manomètre	54	115000060	Bornier double
27	117110020	Sonde de température ambiante d3-TH1	55	117100069	Carte électronique
28	133020010	Clip de fixation sonde			

Liste des pièces: VSP-15

NO	ERP CODE	DESIGNATION	NO	ERP CODE	DESIGNATION
1	133300019	Panneau supérieur	29	113090087	Échangeur à capillaire
2	108790071	Cadre supérieur	30	113020544	Tube retour gaz
3	108790107	Pilier	31	112100046	Sonde basse pression
4	108790027	Support ventilateur	32	120000097	Vanne gaz
5	103000290	Évaporateur	33	101000222	Compresseur
6	132000015	Pâle ventilateur	34	112100030	Sonde haute pression
7	112000031	Moteur ventilateur	35	117110021	Sonde température d'échappement d6-TH3
8	108790127	Assemblage du panneau avant	36	113010392	Tube échappement gaz
9	133030011	Couvercle de protection	37	117110012	Sonde de température de sortie d'eau TH6
10	102040865	Echangeur en titane	38	108010025	Clip de fixation sonde
11	117020244	contrôleur	39	117110011	Sonde de température d'entrée d'eau TH5
12	113712007	Couvercle du contrôleur	40	133020011	Joint bleu
13	108790025	Tampon évaporateur	41	113900082	Raccord d'eau
14	108790026	Tampon évaporateur	42	133020012	Joint rouge
15	108790081	Panneau de maintenance	43	133020026	Joint d'étanchéité
16	108790106	Panneau avant	44	112100021-1	Détecteur de débit
17	108790101	Base	45	108790072	Couvercle coffret électrique
18	108790109	Panneau côté droit	46	117230003	Réacteur
19	103000290	Tube gaz	47	108790073	Coffret réacteur
20	108790024	Panneau d'isolation	48	111000006	Condensateur de ventilateur
21	113190001	Clip de fixation sonde	49	117240002	Anneau magnétique
22	113190007	Fourreau sonde de température	50	117240003	Anneau magnétique
23	117110004	Sonde de température dégivrage d5-TH2	51	108790074	Coffret électrique
24	103000290	Tuyauterie de distribution	52	115000002	Bornier triple
25	108790108	Panneau arrière	53	136010004	Serre câble
26	106000011	Manomètre	54	115000060	Bornier double
27	117110020	Sonde de température ambiante d3-TH1	55	117100065	Carte électronique
28	133020010	Clip de fixation sonde			

Liste des pièces: VSP-17

NO	ERP CODE	DESIGNATION	NO	ERP CODE	DESIGNATION
1	133300019	Panneau supérieur	29	113090087	Échangeur à capillaire
2	108790071	Cadre supérieur	30	113020581	Tube retour gaz
3	108790107	Pilier	31	112100046	Sonde basse pression
4	108790027	Support ventilateur	32	120000097	Vanne gaz
5	103000291	Évaporateur	33	101000181	Compresseur
6	132000015	Pâle ventilateur	34	112100030	Sonde haute pression
7	112000031	Moteur ventilateur	35	117110021	Sonde température d'échappement d6-TH3
8	108790127	Assemblage du panneau avant	36	113020625	Tube échappement gaz
9	133030011	Couvercle de protection	37	117110012	Sonde de température de sortie d'eau TH6
10	102040999	Echangeur en titane	38	108010025	Clip de fixation sonde
11	117020244	contrôleur	39	117110011	Sonde de température d'entrée d'eau TH5
12	133020061	Couvercle du contrôleur	40	133020011	Joint bleu
13	108790025	Tampon évaporateur	41	102050004	Raccord d'eau
14	108790026	Tampon évaporateur	42	133020012	Joint rouge
15	108790081	Panneau de maintenance	43	133020026	Joint d'étanchéité
16	108790106	Panneau avant	44	112100021-1	Détecteur de débit
17	108790093	Base	45	108790072	Couvercle coffret électrique
18	108790109	Panneau côté droit	46	117230003	Réacteur
19	103000291	Tube gaz	47	108790073	Coffret réacteur
20	108790024	Panneau d'isolation	48	111000006	Condensateur de ventilateur
21	113190001	Clip de fixation sonde	49	117240002	Anneau magnétique
22	113190007	Fourreau sonde de température	50	117240003	Anneau magnétique
23	117110004	Sonde de température dégivrage d5-TH2	51	108790074	Coffret électrique
24	103000291	Tuyauterie de distribution	52	115000002	Bornier triple
25	108790108	Panneau arrière	53	136010004	Serre câble
26	106000011	Manomètre	54	115000060	Bornier double
27	117110020	Sonde de température ambiante d3-TH1	55	117100065	Carte électronique
28	133020010	Clip de fixation sonde			

9. Maintenance

Attention !

-Avant tout travail de maintenance sur l'appareil, vous devez couper l'alimentation électrique car il existe un risque de choc électrique pouvant entraîner des dommages matériels, des blessures graves voire la mort.

- Il est recommandé que l'appareil fasse l'objet d'un entretien général au moins une fois par an pour garantir son bon fonctionnement, maintenir ses performances et éviter d'éventuelles pannes.

sont effectués aux frais de l'utilisateur, par un technicien qualifié. pour l'entretien à effectuer par un technicien qualifié.

-Pour la maintenance à effectuer par un technicien qualifié, veuillez lire les consignes de sécurité des pages précédentes fournies dans le chapitre «maintenance: avertissements concernant les appareils contenant du réfrigérant R32» avant d'effectuer l'une des opérations de maintenance décrites ci-dessous.

Entretien

(1) Vous devez vérifier le circuit d'eau régulièrement pour éviter l'air entrant dans le circuit et la présence de faible débit d'eau, car cela réduit les performances et la fiabilité de la pompe à chaleur.

(2) Nettoyez votre piscine et le système de filtration régulièrement.

(3) Remplir entièrement le circuit d'eau avant de faire fonctionner l'unité à nouveau.

(4) Après la mise en hivernage, il est recommandé de couvrir la pompe à chaleur avec une bâche adaptée.

(5) Lorsque l'unité est en cours de fonctionnement, il y aura toujours un peu d'eau de condensation répandue en dessous.

(6) Veuillez toujours vider l'eau de la pompe à chaleur pendant l'hiver ou lorsque la température ambiante descend en dessous de 0 °C, sinon l'échangeur en titane sera endommagé en raison du gel, dans ce cas, votre garantie sera perdue.

VSP INVERTER +7°C

Benutzer- und Wartungshandbuch

INDEX

1. Technische Daten
2. Ausmaße
3. Einbau und Anschluss
4. Zubehör
5. Verkabelung
6. Display-Bedienung
7. Fehlerbehebung
8. Explosionszeichnung
9. Wartung

Vielen Dank für die Verwendung unserer Wärmepumpe, um Ihr Schwimmbad zu heizen. Es wird ihr Poolwasser aufheizen und auf einer konstanten Temperatur halten, wenn die Außentemperatur zwischen +7 und 43°C liegt.



ACHTUNG: Dieses Handbuch beinhaltet alle Informationen die für die Benutzung und die Installation ihrer

Wärmepumpe erforderlich sind.

Der Installateur muss das Handbuch gründlich durchlesen und den Anweisungen strikt folgen, sowohl bei der Implementierung als auch bei der Wartung. Bitte bewahren Sie dieses Handbuch auf und geben Sie es für später während der gesamten Lebensdauer des Geräts weiter.

Der Installateur ist verantwortlich für die Installation des Produkts und sollte allen Anweisungen des Herstellers sowie allen Vorschriften in den Anwendungen folgen. Inkorrekte Installation gegen die Anweisungen des Handbuchs macht die Garantie nichtig.

Der Hersteller lehnt jede Verantwortung ab für Schäden die durch Menschen, Objekte oder Fehler die auf Nichtbefolgung von Anweisungen im Handbuch beruhen. Jede Nutzung die bei der Herstellung nicht vorgesehen war wird als gefährlich eingestuft.

1. Technische Daten

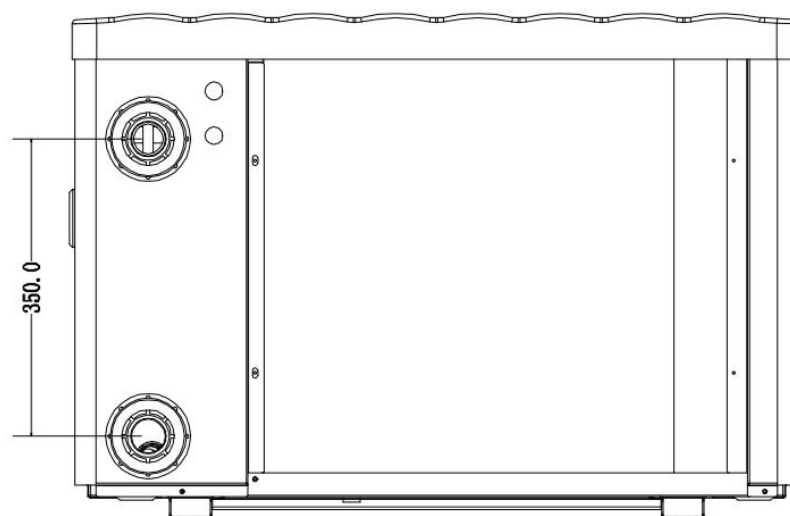
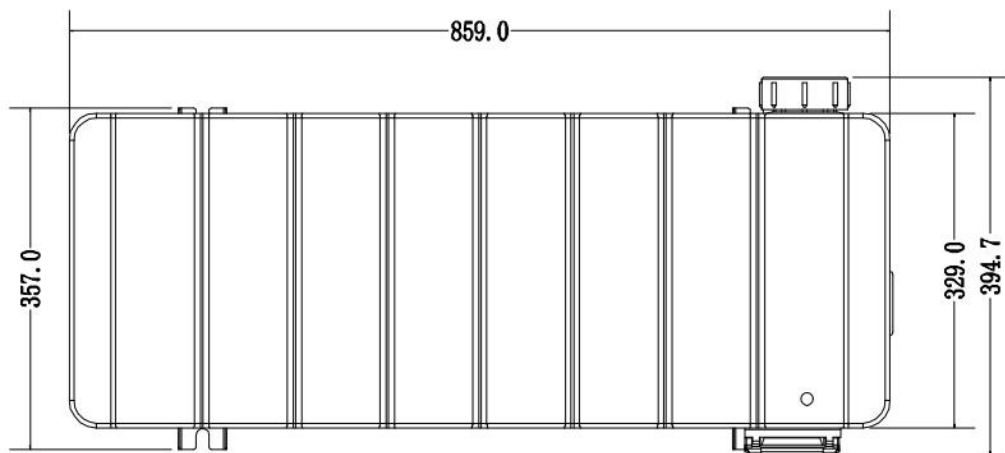
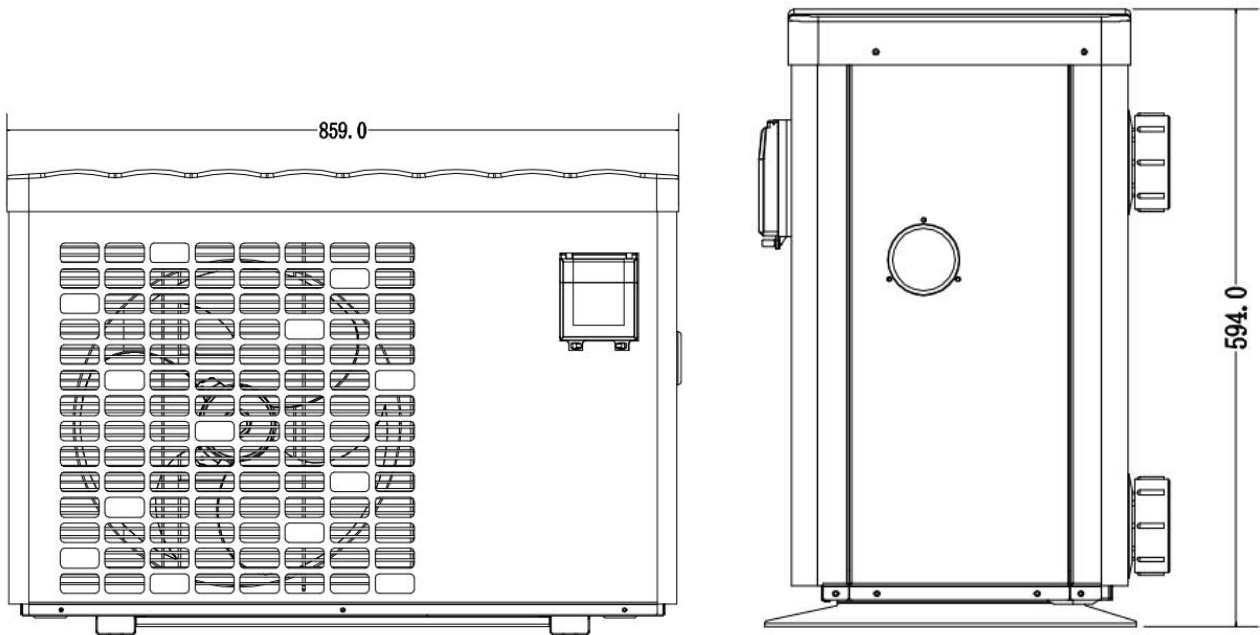
1.1 Technische Daten

Modell		74148	74149	74150	74151
Artikelnummer		VSP-10	VSP-12	VSP-15	VSP-17
* Leistung bei Luft 28°C, Wasser 28°C, Luftfeuchtigkeit 80%					
Heizleistung	kW	10-2.3	12-2.9	15-3.2	17-3.8
Energieverbrauch	kW	1.55-0.14	1.77-0.18	2.26-0.2	2.67-0.23
C.O.P.		16-6.5	16-6.8	16-6.6	16-6.4
* Leistung bei Luft 15°C, Wasser 26°C, Luftfeuchtigkeit 70%					
Heizleistung	kW	7-1.9	8.5-2	10-2.2	12-3
Energieverbrauch	kW	1.43-0.27	1.72-0.28	2.07-0.31	2.43-0.42
C.O.P.		7.1-4.9	7.2-4.9	7.2-4.8	7.2-4.9
* Allgemeine Daten					
Kompressortyp		Inverter Kompressor			
Netzspannung	V	220~240V / 50Hz / 1PH			
Nennstrom	A	6.9	7.9	10.0	11.8
Mindestsicherung	A	10	12	15	18
Empfohlener Wasserfluss	m ³ /h	2.8	3.7	4.0	4.6
Wasserdruckabfall	Kpa	12	14	15	15
Wärmetauscher		Twist-Titan-Rohr aus PVC			
Wasserverbindung	mm	50			
Fan quantity		1			
Ventilation type		Horizontal			
Geräuschpegel (10m)	dB(A)	22-34	23-35	23-37	24-37
Geräuschpegel (1m)	dB(A)	40-52	40-52	40-54	41-54
Gasmenge(R32)	g	650	700	1000	1100
CO2 gleichwertig	Tonne	0.44	0.47	0.68	0.74
* Dimension/ Weight					
Nettogewicht	kg	56	68	73	78
Bruttogewicht	kg	68	73	78	83
Nettodimension	mm	859*394.7*594	987*418.7*693.5		
Verpackung Dimension	mm	890*425*630	1015*445*715		

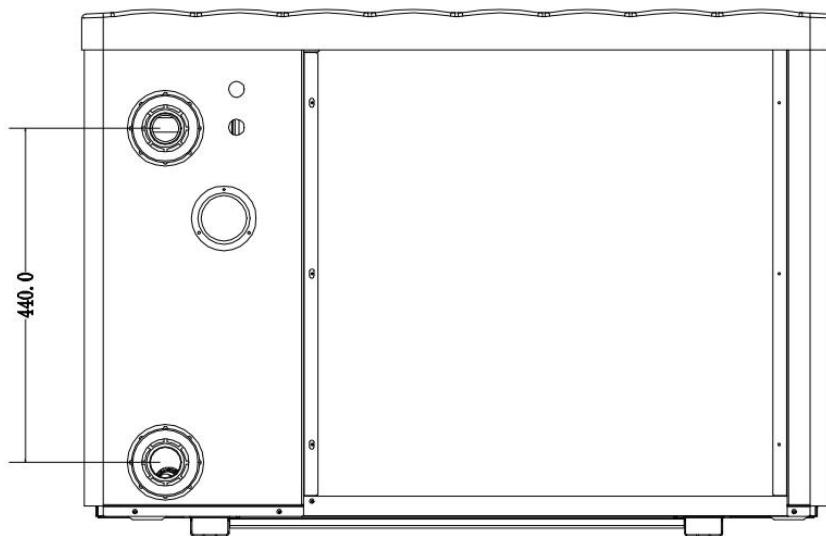
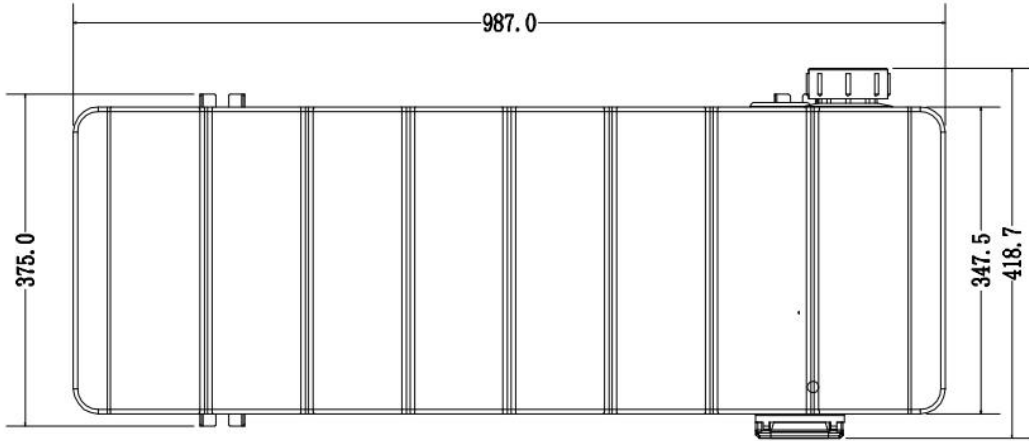
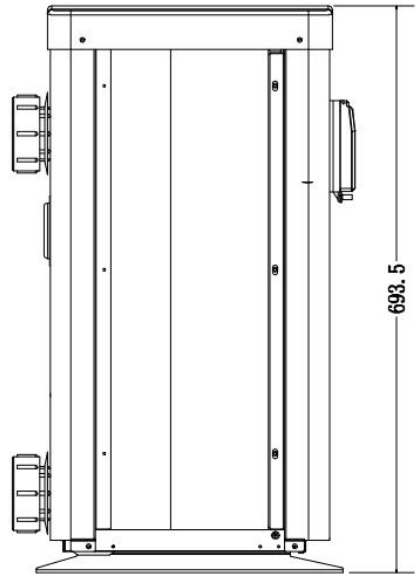
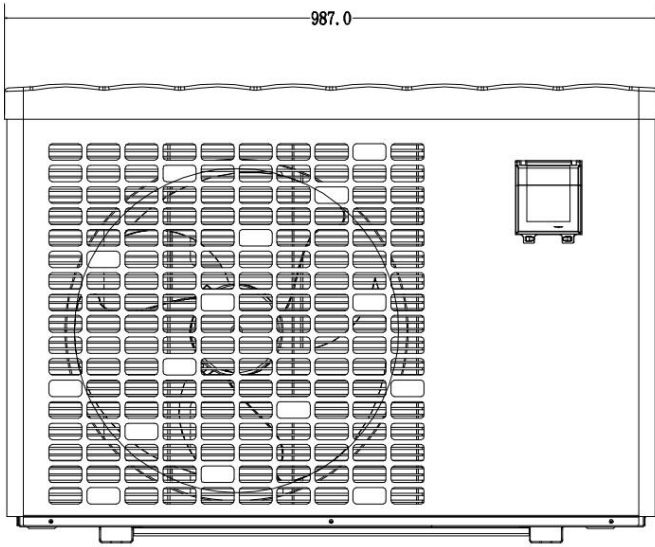
* Obriige Daten können ohne vorherige Ankündigung geändert werden

2. Ausmaße (mm)

Model:VSP-10



Model:VSP-12 & VSP-15 & VSP-17



3. Installation und Anschluss

3.1 Anmerkungen

Die Fabrik liefert nur die Wärmepumpe. Alle anderen Komponenten, einschließlich eines Bypasses wenn nötig, müssen durch den Benutzer oder den Installateur gestellt werden.

Achtung:

Bitte halten Sie beim Installieren der Wärmepumpe folgende Regeln ein:

1. Jeder Zusatz von Chemikalien muss in der Rohrleitung stromabwärts der Wärmepumpe stattfinden.
2. Installieren Sie eine Bypass, wenn der Wasserfluss aus der Schwimmbadpumpe mehr als 20% größer ist als der maximal zulässige Durchfluss durch den Wärmetauscher der Wärmepumpe ist. Installieren Sie die Wasserpumpe über dem Wasserspiegel.
3. Stellen Sie die Wärmepumpe immer auf ein solides Fundament und bringen Sie die mitgelieferten Gummilager an um Vibrationen und Lärm zu vermeiden.
4. Die Wärmepumpe sollte immer lotrecht gehalten werden. Wenn das Gerät in einem Winkel gehalten wurde, warten Sie mindestens 24 Stunden bevor Sie sie verwenden.

3.2 Positionierung der Wärmepumpe

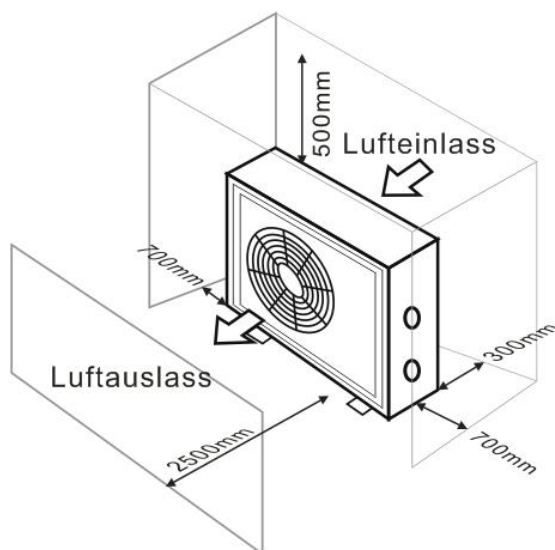
Die Einheit wird an jeder gewünschten Position richtig arbeiten, solange die folgenden drei Elemente vorhanden sind:

1. Frische Luft – 2. Elektrizität – 3. Schwimmbecken-filter

Die Einheit kann praktisch an jedem Standort im Außenbereich installiert werden, solange die angegebenen Mindestabstände zu anderen Objekten eingehalten werden (siehe Zeichnung unten). Bitte konsultieren Sie für die Installation an einem Indoor-pool einen Installateur. Die Installation an einem windigen Ort bereitet, anders als bei einem Gas-Heizer keinerlei Probleme.

ACHTUNG: Installieren Sie die Einheit niemals in einem geschlossenen Raum mit begrenztem Luftvolumen, wo die von der Einheit ausgestoßene Luft wiederverwendet wird, oder nahe an Sträuchern, die den Lufteinzug blockieren könnten. Solche Positionen beeinträchtigen die kontinuierliche Zufuhr von Frischluft, was die Effizienz reduziert, und möglicherweise auch die Wärmeabgabe behindert.

Für die minimalen Maße siehe Zeichnung unten:



3.3 Abstand zu ihrem Schwimmbecken

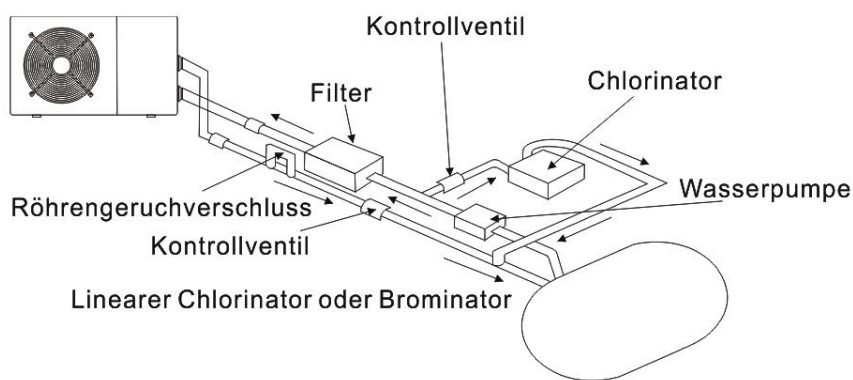
Die Wärmepumpe wird in der Regel in einem Umkreis Gebiet, das sich 7,5 m vom Schwimmbecken erstreckt

installiert. Je größer der Abstand zum Pool, desto größer ist der Wärmeverlust in den Röhren. Da die Röhren meist unterirdisch installiert werden ist der Wärmeverlust gering für Abstände bis zu 30 m (15 m von und zur Pumpe, 30 m insgesamt), sofern der Boden nass und der Grundwasser spiegel hoch ist. Eine grobe Schätzung des Wärmeverlustes pro 30 m ergibt 0,6 kWh (2.000 BTU) für jede 5 °C Differenz zwischen der Wassertemperatur im Pool und der Temperatur des Bodens rund um das Rohr. Dies erhöht die Betriebszeit um 3 bis 5%.

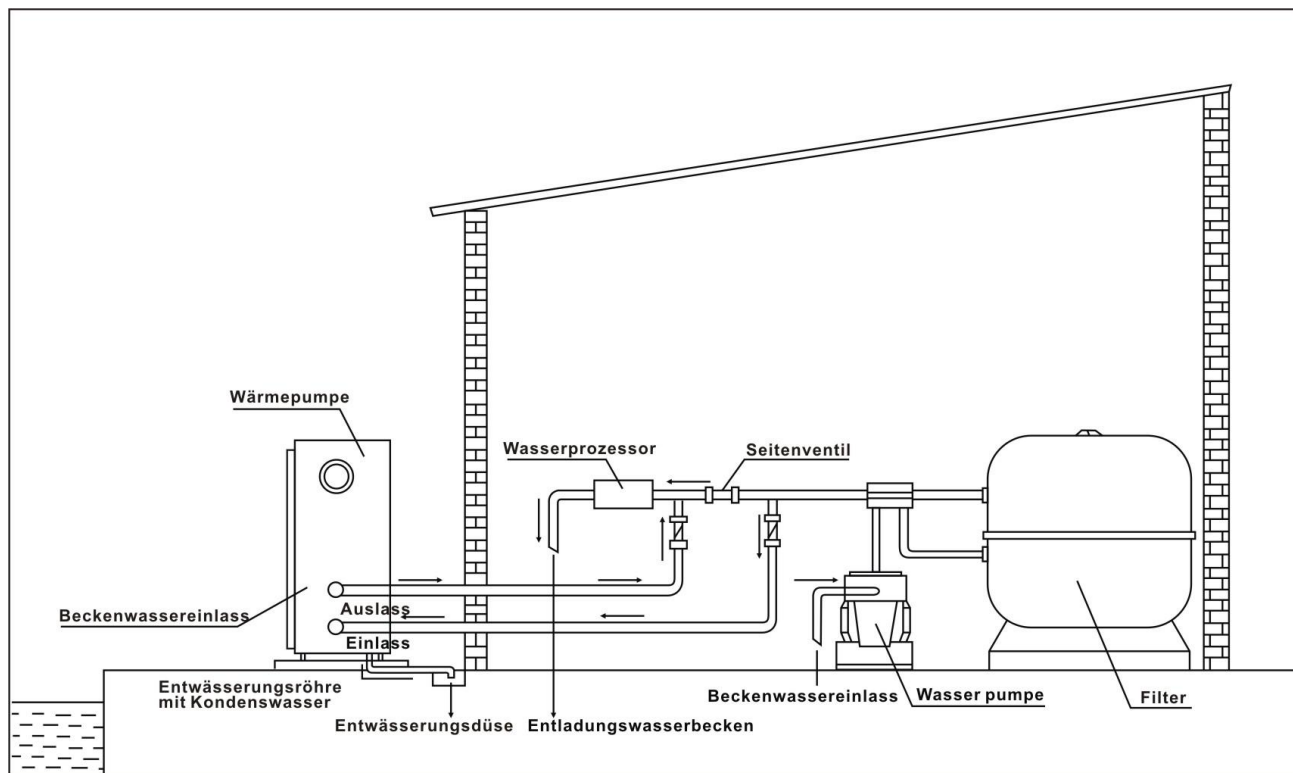
3.4 Installation des Sperrventils

Hinweis: Wenn ein automatisches Dosiergerät für den Chlor und Säuregehalt (pH) verwendet wird, ist es wichtig, die Wärmepumpe vor zu hohen chemischen Konzentrationen, die den Wärmetauscher korrodieren könnten, zu schützen. Aus diesem Grund müssen Geräte dieser Art stets in der Rohrleitung auf der stromabwärtigen Seite der Wärmepumpe montiert werden, und es wird empfohlen, ein Rückschlagventil zu installieren, um eine Rückströmung in der Abwesenheit von Wasserzirkulation zu verhindern.

Schäden an der Wärmepumpe, die durch Nichtbeachten dieser Vorschrift entstehen, werden nicht durch die Garantie gedeckt.

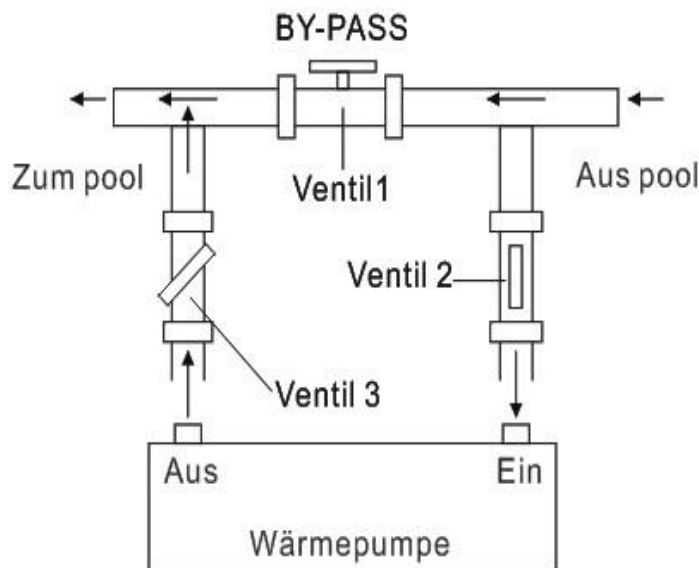


3.5 Typische Anordnung



Anmerkung: Diese Anordnung ist nur ein illustratives Beispiel.

3.6 Einstellen des Bypasses



Bitte nehmen Sie die folgenden Schritte ein, um den Bypass anzupassen:

1. Valve 1 weit offen. Ventil 2 & Ventil 3 geschlossen.
2. Ventil 2 & Ventil 3 um die Hälfte öffnen, dann das Ventil 1 langsam schließen, um den Wasserfluss zum Ventil 2 & Ventil 3 zu erhöhen.
3. Wenn es auf dem Display "ON" oder "EE3" anzeigt, bedeutet dies, dass der Wasserfluss in die Wärmepumpe nicht ausreicht, dann müssen Sie die Ventile einstellen, um den Wasserfluss durch die Wärmepumpe zu erhöhen.

So erhalten Sie den optimalen Wasserfluss:

Bitte schalten Sie die Wärmepumpe unter Heizfunktion ein, schließen Sie zuerst den Bypass und öffnen Sie diese langsam, um die Wärmepumpe zu starten (die Maschine kann nicht laufen, wenn der Wasserdurchfluss nicht ausreicht).

Fahren Sie mit der Einstellung des Bypasses fort, währenddessen die Einlasswassertemperatur überprüft wird. & Outlet Wassertemperatur, es wird optimal sein, wenn der Unterschied um 2 Grad ist.

3.7 Stromanschluss

Hinweis: Obwohl die Wärmepumpe elektrisch vom Rest des Schwimmbades isoliert ist, verhindert das nur den Fluss von elektrischem Strom an oder aus dem Wasser in den Pool. Erdung ist weiterhin zum Schutz gegen Kurzschlüsse im Inneren des Gerätes erforderlich. Sorgen Sie immer für eine gut geerdete Verbindung.

Warnung: Vor Arbeiten im Gerät müssen Sie die Stromversorgung des Geräts unterbrechen, da die Gefahr eines Stromschlags besteht, der zu Materialschäden, schweren Verletzungen oder sogar zum Tod führen kann.

- Falsch angezogene Klemmen können dazu führen, dass sich der Klemmenkasten erwärmt, wodurch die Garantie ungültig wird.
- Nur ein qualifizierter und erfahrener Techniker ist berechtigt, Kabelarbeiten im Gerät durchzuführen oder das Netzkabel auszutauschen.

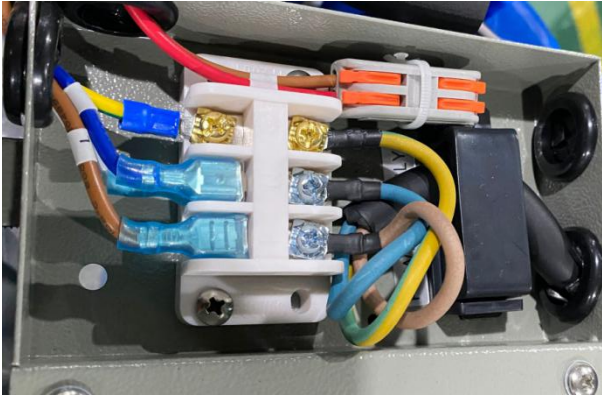
Bevor Sie das Gerät anschließen, stellen Sie sicher dass die vorliegende Spannung mit der Betriebsspannung der Wärmepumpe übereinstimmt.

Es wird empfohlen, die Wärmepumpe an einen Stromkreis mit eigener Sicherung oder einem Schutzschalter (langsamer Typ, Kurve D) und ausreichende Verkabelung anzuschließen .

Verbinden Sie die Stromkabel mit der als "POWER SUPPLY" markierten Klemmleiste.

Eine zweite Klemmleiste welche mit 'WATER PUMP' markiert ist, befindet sich neben der ersten. Die Filterpumpe (max. 5 A / 0 V) kann mit der zweiten Klemmleiste verbunden werden. Das erlaubt es die Filterpumpe durch die Wärmepumpe zu kontrollieren.


Anmerkung: Im Fall des Drei-Phasen-Modells, können zwei vertauschte Phasen dazu führen dass der Motor in die umgekehrte Richtung läuft, was zu einem Maschinenschaden führen kann. Aus diesem Grund hat das Gerät eine integrierte Schutzeinrichtung, die den Stromkreis unterbricht, wenn die Verbindung nicht korrekt ist. Wenn die rote LED-Lampe oberhalb dieser Sicherheitseinrichtung leuchtet, **müssen Sie die Anschlüsse von zwei der Phasenleiter vertauschen.**



3.8 Erstinbetriebnahme

Hinweis: Um das Wasser im Becken (oder Whirlpool) zu erwärmen, muss die Filterpumpe aktiviert werden, damit das Wasser durch die Wärmepumpe zirkulieren kann. Die Wärmepumpe wird nicht starten wenn das Wasser nicht zirkuliert.

Nachdem alle Verbindungen hergestellt und geprüft sind, führen Sie die folgenden Schritte durch:

1. Schalten Sie die Filterpumpe aus. Prüfen Sie ob es ein Leck gibt, und stellen Sie sicher dass das Wasser vom und zum Schwimmbecken fließt.
2. Schließen Sie die Wärmepumpe an ein Stromnetz an und betätigen Sie die On/Off Taste  auf dem Bedienfeld. Das Gerät startet dann nach einer bestimmten Verzögerungszeit.
3. Überprüfen Sie nach ein paar Minuten ob die herausströmende Luft schon kühler ist.
4. Bei Ausschalten der Pumpe, sollte das Gerät auch automatisch ausschalten, wenn nicht, dann schalten Sie den Strömungswächter an.

Je nach Ausgangstemperatur des Wassers im Schwimmbad und der Lufttemperatur, kann es mehrere Tage dauern das Wasser auf die gewünschte Temperatur zu erwärmen. Eine gute Schwimmbadabdeckung könnte die erforderliche Zeit drastisch reduzieren.

Strömungswächter:

Er soll sicherstellen dass das HP Gerät mit einer ausreichenden Durchflussrate läuft. Er wird eingeschaltet, wenn die Pool-Pumpe läuft und schaltet sich automatisch wieder aus, wenn die Pumpe abgeschaltet wird.

Zeitverzögerung - Die Wärmepumpe hat eine eingebaute 3-Minuten-Anlaufverzögerung, um die Schaltung zu schützen und übermäßigen Verschleiß der Kontakte zu vermeiden. Das Gerät startet automatisch neu, nachdem diese Zeitspanne abgelaufen ist. Selbst ein kurzer Stromausfall löst diese Zeitverzögerung aus, und verhindern so, dass das Gerät nach einem Neustart sofort wieder läuft. Zusätzliche Stromunterbrechungen während dieser Verzögerung haben keinen Einfluss auf die 3-Minuten Dauer der Verzögerung.

3.9 Kondensation

Die Luft die in die Wärmepumpe gezogen wird ist stark durch den Betrieb der Wärmepumpe zur Erwärmung des Beckenwassers abgekühlt, was zu Kondensation an den Rippen des Verdampfers führen könnte. Die Menge an Kondensationsprodukt kann bei relativ hoher Luftfeuchtigkeit mehrere Liter pro Stunde betragen. Daraus wird oft fälschlicherweise auf das Vorhandensein von Wasserlecks geschlossen.

3.10 Betriebsarten für optimalen Einsatz

- POWERFUL: Wird hauptsächlich zu Beginn der Saison verwendet, da dieser Modus einen sehr schnellen Temperaturanstieg erlaubt
- SMART: Die Wärmepumpe hat ihre primäre Aufgabe in diesem Modus erfüllt; Ist die Wärmepumpe in der Lage,

das Schwimmbadwasser energieeffizient zu halten. Durch die automatische Einstellung der Drehzahl des Verdichters und des Gebläses liefert die Wärmepumpe eine bessere Rückkehr.

- SILENT: In den Sommermonaten, in denen die Wärmeleistung minimal benötigt wird, ist die Wärmepumpe in diesem Modus noch rentabler. Zusatznutzen; Wenn die Wärmepumpe sich erwärmt. Es geht mit minimaler Geräuschbelastung.

4. Zubehör

4.1 Zubehörliste

 <p>Vibrationsdämpfer, 4 Stück</p>	 <p>Entwässerungsdüse, 2 Stück</p>	 <p>Wasserdichte Box, 1 Stck</p>
 <p>Winterhülle, 1 Stck</p>	 <p>Wasserabflussrohre, 2 Stück</p>	 <p>10M Signalkabel, 1 Stck</p>

4.2 Installation des Zubehörs

	<p>Vibrationsdämpfer</p> <ol style="list-style-type: none"> 1. Nehmen Sie 4 Vibrationsdämpfer heraus 2. Legen Sie einen nach dem anderen wie im Bild gezeigt unter die Maschine.
 	<p>Entwässerungsdüse</p> <ol style="list-style-type: none"> 1. Installieren Sie die Entwässerungsdüse unter dem unteren Bedienfeld. 2. Verbinden Sie sie mit einem Wasserschlauch, um das Wasser abzuleiten. <p>Note: Heben Sie die Pumpe an um die Düse zu installieren. Überdrehen Sie die Wärmepumpe niemals, das könnte den Kompressor beschädigen.</p>



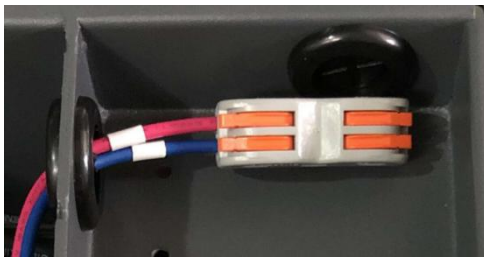
Verbindung von Wasser Ein- und Austritt

1. Verwenden Sie das Dichtband, um den Wasser-ein-und-Auslass an die Wärmepumpe anzuschließen.
2. Schließen Sie die zwei Glieder wie in der Abbildung gezeigt an.
3. Drehen Sie sie in den Wasser-Ein-Auslass



Verkabelung

1. Öffnen Sie die Klemmenabdeckung
2. Befestigen Sie das Stromversorgungskabel an den Gelenken



Verkabelung der Wasserpumpe

1. Öffnen Sie die Klemmenabdeckung
2. Mit den Anschlüssen 1 und 2 können Sie die Wasserfiltration durch den Timer der Filtration steuern (trockener Kontakt).

4.3 Connexion à la pompe de filtration

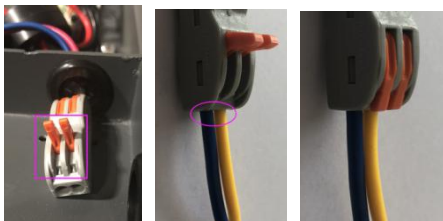


Foto 1

Foto 2

Foto 3

- Öffnen Sie die Taste nach oben als (Foto 1)
- Befestigen Sie die trockene Kontaktverdrahtung durch die beiden Löcher als (Foto 2 & Foto 4)
- Drücken Sie die Taste und ziehen Sie die Verdrahtung als (Foto 3)

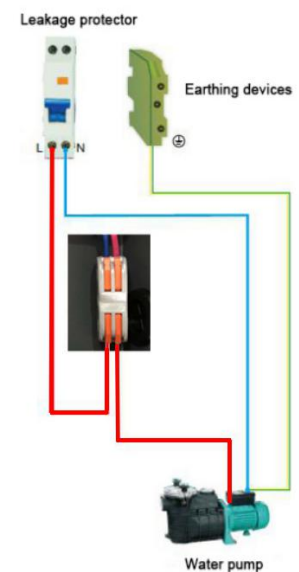
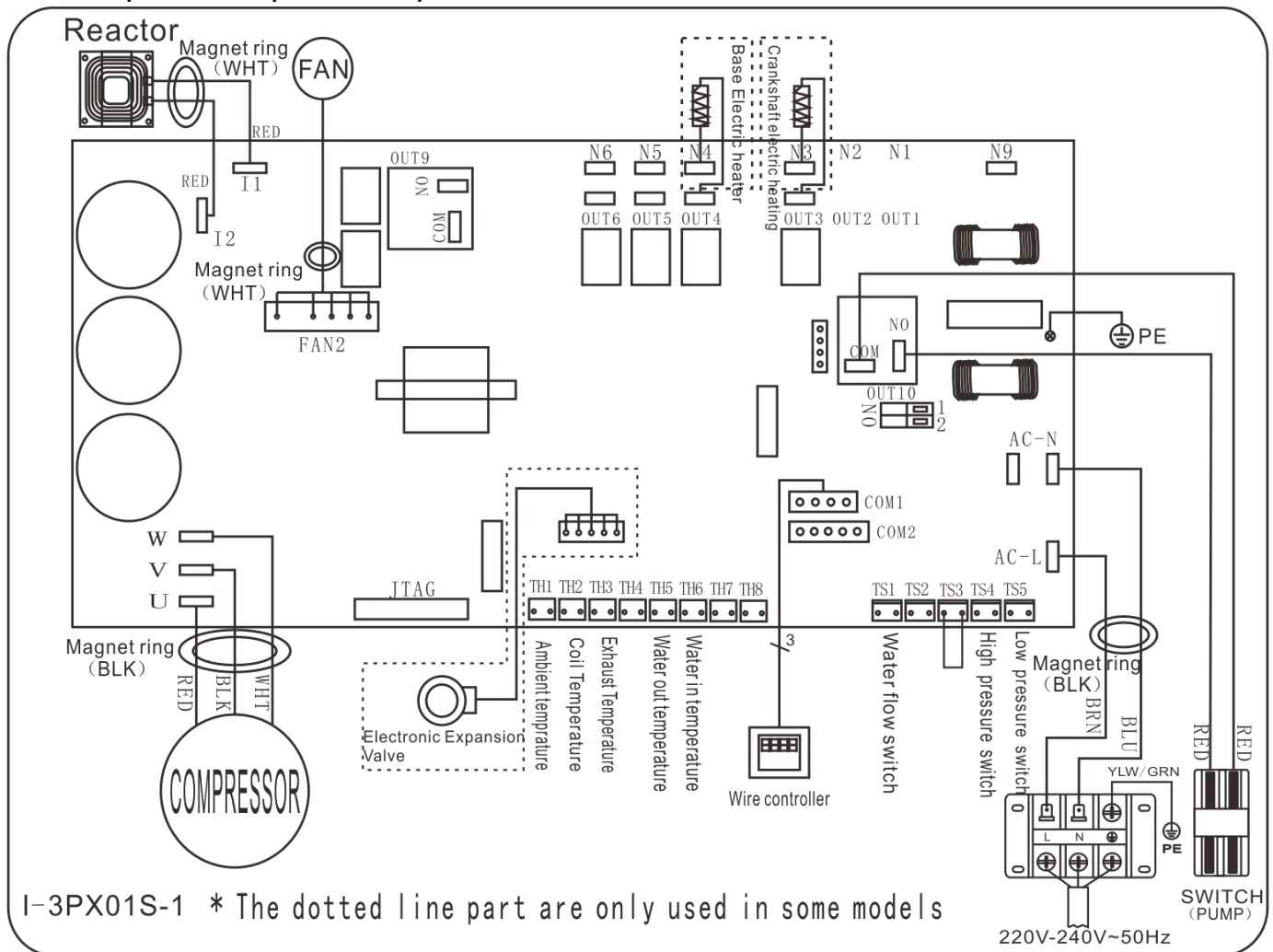


Foto 4

5. Elektrische Verkabelung

5.1 VERKABELUNGSDIAGRAMM DER SCHWIMMBECKEN-WÄRMEPUMPE VSP-10 / VSP-12 / VSP-15 / VSP-17



HINWEIS:

(1) Der Schaltplan dient nur zu ihrer Referenz

(2) Die Schwimmbecken-Wärmepumpe muss gut geerdet sein, auch wenn der Wärmewechsler vom Rest der Einheit elektrisch isoliert ist. Die Erdung ist dennoch wichtig, um Sie vor Kurzschlüssen im Inneren des Gerätes zu schützen. Verkleben ist ebenfalls erforderlich.

(3) Es wird empfohlen, dass Ihre Pool-Filterpumpe und Ihre Wärmepumpe unabhängig voneinander verdrahtet sind. Wenn Sie Ihre Poolpumpe mit der Wärmepumpe verdrahten, wird Ihre Filterung nach dem Poolwasser abgeschaltet hat die Temperatur erreicht.

Verdrahten Sie die Poolpumpe nur durch die Wärmepumpe, wenn Sie nur eine Poolpumpe zum Heizen haben, die unabhängig ist Ihr Pool-Filtersystem.

Unterbrecher: Ein Unterbrecher (d.h. ein circuit breaker, fused or un-fused switch) sollte in Sichtweite und vom Gerät aus leicht erreichbar positioniert werden..Das ist bei kommerziellen und häuslichen Wärmepumpen so üblich. Es schützt davor unbeaufsichtigte Einheiten mit Strom zu versorgen, und erlaubt die Einheit auszuschalten während sie verwendet wird.

5.4 Installation des Displays

Foto(1)



Foto(2)



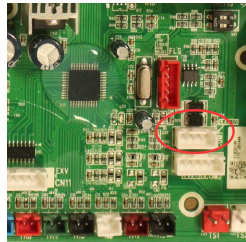
Foto(3)



Foto(4)



Foto(5)



- Die Seite mit Stecker verbindet sich mit dem Bedienfeld (Foto1)
- Die andere Seite des Signalkabels. (Foto2)
- Öffnen Sie das Anschlussfeld und stecken Sie die Seite ohne Stecker durch die Schaltbox. (Foto3,4)
- Stecken Sie die Verkabelung in die gekennzeichnete Position (Code: COM 1 oder COM-L) auf der Platine. (Foto5)

6. Display Operation en


6.1 Die Tasten der LED Kabelsteuerung





6.2 Die Tasten und Betrieb


HINWEIS: Jedes Mal, wenn die Wärmepumpe an die Stromversorgung angeschlossen wird, zeigt die LED-Anzeige für 3 Sekunden einen Code an, der das Wärmepumpenmodell anzeigt.

6.2.1 Eine Taste

Betätigen Sie,  um die Wärmepumpeneinheit zu starten, zeigt die LED-Anzeige die gewünschte Wassertemperatur für 5 Sekunden an, zeigt dann die Einlasswassertemperatur und den Betriebsmodus an.



Drücken Sie,  um die Wärmepumpe zu stoppen und "OFF"

Achtung: Drücken Sie während der Überprüfung und Einstellung des Parameters die Taste  um die aktuelle Einstellung zu beenden und die aktuelle Einstellung zu speichern.



Drücken Sie erneut , um das Gerät ein- oder auszuschalten.

6.2.2 Taste  **und** 

Clock / unlock die Anzeige:

Halten Sie  und  für 5 Sekunden, um die Anzeige zu sperren / zu entsperren.

Wassertemperatur:

Drücken Sie  oder,  um die Wassertemperatur direkt einzustellen.




Wassertemperatur. Einstellbereich im Heizmodus: 6-41 °C,






6.2.3 -Taste

Parameterprüfung:

Drücken Sie zuerst  und drücken Sie dann,  um den Benutzerparameter von d0 bis d11 zu überprüfen

Code	Bedingung	Umfang	Anmerkung
d0	IPM Werkzeugtemperatur	0-120°C	Realer Prüfwert
d1	Einlaufwassertemp.	-9°C ~ 99°C	Realer Prüfwert
d2	Auslaufwassertemp.	-9°C ~ 99°C	Realer Prüfwert
d3	Umgebungstemp.	-30°C ~ 70°C	Realer Prüfwert
d4	Frequency Begrenzungscode	0,1,2,4,8,16	Realer Prüfwert
d5	Rohrleitungstemp.	-30°C ~ 70°C	Realer Prüfwert
d6	Abgastemperatur	0°C ~ C5°C (125°C)	Realer Prüfwert
d7	Schritt der EEV	0 ~ 99	N*5
d8	Betriebsfrequenz des Verdichters	0 ~ 99Hz	Realer Prüfwert
d9	Verdichterstrom	0 ~ 30A	Realer Prüfwert
d10	Aktuelle Lüfterdrehzahl	0-1200 (rpm)	Realer Prüfwert
d11	Fehlercode für das letzte Mal	Alle Fehlercode	

Drücken Sie bei Bedarf  Sekunde, und drücken Sie dann  oder , um den aktuellen Parameter einzustellen.

(Beispiel: Drücken Sie zuerst , dann drücken Sie , um den Parameter P7 zu aktivieren, und drücken Sie dann  Sekunde, dann drücken Sie  oder , um den Parameter P7 Zulauftemperatur zu ändern. Korrektur von -9 bis 9.)

Code	Name	Umfang	Standard	Anmerkung
P0	Manuelle Abtauung	0-1	0	1 Manueller Abtaumodus, 0 Normalmodus
P1	Arbeitsmodus	1	1	1 Heizbetrieb
P2	Timer ein / aus	0-1	0	1 Timer ein / aus ist unter Funktion, 0 Timer ein / aus ist außer Funktion (Die Einstellung von P5 und P6 funktioniert nicht)
P3	Wasserpumpe	0-1	0	1 Immer laufend, 0 Abhängig vom Betrieb des Kompressors
P4	Aktuelle Uhrzeit	HH:MM	0:00	<u>0-23:0-59</u>
P5	Timer an	HH:MM	0:00	<u>0-23:0-59</u>
P6	Timer ausgeschaltet	HH:MM	0:00	<u>0-23:0-59</u>
P7	Einlaufwassertemp. Korrektur	-9~9	0	Voreinstellung: 0

HINWEIS: Im Enteisungsmodus ist P0 = 1.

Nach Abschluss der Abtauung wird automatisch in den Normalmodus gewechselt, P0 = 0.

6.2.4 Heizpriorität (siehe Abschnitt 6.8), Anschlussmöglichkeit

Option 1 Die Wasserpumpe ist mit dem Betrieb der Wärmepumpe zum Starten oder Stoppen verbunden.

Die Wasserpumpe startet 60s vor dem Kompressor, die Wasserpumpe startet 30s und erfasst dann den Wasserflussschalter. Wenn die Wärmepumpe in den Standby-Modus wechselt, stoppt die Kompressors nach dem Stopp des Wasserpumpe 5 Minuten.

Die Wasserpumpe wird für 5 Minuten neu gestartet und dann gestoppt, wenn die Standby-Zeit mehr als 1 Stunden beträgt.

	Bedingung	Beispiel	Funktionslogik der Wasserpumpe
Heizmodus	P3=0, $T1 \geq T_{set} - 0.5^\circ\text{C}$, 30 Minuten dauern	P3=0, $T1 \geq 27.5^\circ\text{C}$, 30 Minuten dauern	Die Wasserpumpe wechselt für 1 Stunden in den Standby-Modus und startet nur außer, die Stromversorgung abzuschalten und neu zu starten. Die Wärmepumpe startet 5 Minuten nach dem Verlassen der Wasserpumpe aus dem Standby-Modus, um die Wassertemperatur T1 erneut zu ermitteln.
Kühlmodus	P3=0, $T1 \leq T_{set} + 0.5^\circ\text{C}$, 30 Minuten dauern	P3=0, $T1 \leq 28.5^\circ\text{C}$, 30 Minuten dauern	Die Wasserpumpe wechselt für 1 Stunden in den Standby-Modus und startet nur außer, die Stromversorgung abzuschalten und neu zu starten. Die Wärmepumpe startet 5 Minuten nach dem Verlassen der Wasserpumpe aus dem Standby-Modus, um die Wassertemperatur T1 erneut zu ermitteln.

Option 2 Filterpumpe ist immer an (P3 = 1)

Unter der Bedingung P3 = 1, wenn $T1 \geq T_{set} + 1^\circ\text{C}$ ($T1 \geq 29^\circ\text{C}$) 3 Minuten dauern, befindet sich die Wärmepumpe im Standby-Modus, während die Filterpumpe immer eingeschaltet ist.

Wenn die Wärmepumpe manuell ausgeschaltet wird oder ZEIT AUS ist, stoppt die Filterpumpe entsprechend. Unter Option 2 mit Aktivierung des Timers; P2 = 1 zum Starten und Stoppen der Filtrationspumpe gemäß der Programmierung von P4 (Zeit), P5 (Timer EIN) und P6 (Timer AUS)

Bedingung für den Start der Wärmepumpe, Timer EIN ist aktiv;

Wenn der Timer die eingestellte Zeit von TIMER ON erreicht, startet die Filtrationspumpe und nach 5 Minuten startet die Wärmepumpe. Die Wärmepumpe bleibt angehalten, wenn die Wassertemperatur $\geq T_{set} + 1^\circ\text{C}$ ($T1 \geq 29^\circ\text{C}$) ist. Vor dem TIMER OFF ist die Filtration immer noch aktiviert.

Bedingung zum Stoppen der Wärmepumpe, Timer AUS ist aktiv;

Wenn der Timer die eingestellte Zeit von TIMER OFF erreicht, stoppt die Wärmepumpe und nach 5 Minuten stoppt die Filtrationspumpe.

HINWEIS :



T_{set} = Tsetting Wassertemperatur

Zum Beispiel : $T_{set} = 28^\circ\text{C}$ Tsetting wassertemperatur in Ihrer Pool-Wärmepumpe

$T_{set} - 0.5$ = less 0.5°C than Tsetting temperatur; $T_{set} - 0.5 = 28 - 0.5 = 27.5^\circ\text{C}$

$T_{set} + 0.5$ = more 0.5°C than Tsetting temperatur; $T_{set} + 0.5 = 28 + 0.5 = 28.5^\circ\text{C}$

6.2.5 Systemrücksetzfunktion

Drücken Sie  und  in 10s, das System setzt zurück und zeigt "0000" auf dem Steuerpult an.

6.2.6



Symbol der Heizung, das Licht ist eingeschaltet, wenn es in Betrieb ist.

Beim Abtauen blinkt das Licht.

6.2.7



Symbol des automatischen Stopps, das Licht ist eingeschaltet, wenn es in Betrieb ist.

Hinweis: Wenn der Parameter P6 auf Kontrolle / Einstellung steht, blinkt das Symbol für die automatische

Bremsleuchte



6.2.8



Symbol für automatischen Start, das Licht ist eingeschaltet, wenn es in Betrieb ist.

Hinweis: Wenn der Parameter P5 auf Kontrolle / Einstellung steht, blinkt das Symbol der automatischen

Startleuchte



6.2.9



Betätigen Sie diesen Knopf, die Lampe blinkt, die Wärmepumpe arbeitet nur im vollen Ausgang.



6.2.10

Während Sie den Smart auswählen, wird die Wärmepumpe nur in 'Mittlere Ausgabe' und 'Volle Ausgabe'
 Wenn die Lampe von Smart in "Kleine Ausgabe" leuchtet, blinkt die Lampe von Silent.
 In der mittleren Ausgabe blinkt das Licht von Smart.
 Wenn in "Volle Ausgabe" die Lampe von Smart leuchtet, blinkt die Lampe von Powerful.



6.2.11

Während Sie die Silent wählen, wird die Wärmepumpe nur in "Mittlere Ausgabe" und "Kleine Ausgabe"
 Wenn Sie sich in 'Kleine Ausgabe' befinden, blinkt das Licht von Silent.
 Wenn in der mittleren Ausgabe die Lampe von Silent leuchtet, blinkt die Lampe von Smart.

7. Fehlerbehebung

7.1 Fehlercodeanzeige auf einer LED-Kabelsteuerung

Fehlfunktion	Fehlercode	Grund	Lösung
Fehler beim Sensor für den Heizkondensator d1-TH6	PP01	1.Sensorfehler oder Kurzschluss 2.Die Verdrahtung des Sensors ist lose	1. Die Verdrahtung der Sensoren reparieren 2.Schalten Sie den Sensor
Fehler beim Sensor für den Gasrücklauf d2-TH5	PP02	1.Sensorfehler oder Kurzschluss 2.Die Verdrahtung des Sensors ist lose	1. Die Verdrahtung der Sensoren reparieren 2.Schalten Sie den Sensor
Fehler beim Sensor für die Umgebungstemperatur d5-TH2	PP03	1.Sensorfehler oder Kurzschluss 2.Die Verdrahtung des Sensors ist lose	1. Die Verdrahtung der Sensoren reparieren 2.Schalten Sie den Sensor
Frostschutz im Winter d3-TH1	PP05	1.Sensorfehler oder Kurzschluss 2.Die Verdrahtung des Sensors ist lose	1. Die Verdrahtung der Sensoren reparieren 2.Schalten Sie den Sensor
Ausfall des Auspuffrohrsensors d6-TH3	PP06	1.Sensorfehler oder Kurzschluss 2.Die Verdrahtung des Sensors ist lose	1. Die Verdrahtung der Sensoren reparieren 2.Schalten Sie den Sensor
Frostschutz im Winter	PP07	Die Umgebungstemperatur oder die Wassereintrittstemperatur ist zu niedrig	Normaler Schutz
Niedriger Umgebungstemperaturschutz	PP08	1.Geben Sie den Umfang der Nutzung der Umgebung 2.Sensor Anomalie	1.Stop verwenden, über den Umfang der Verwendung 2.Schalten Sie den Sensor

Fehlfunktion	Fehlercode	Grund	Lösung
Hochdruckversagen TS4	EE01	<ol style="list-style-type: none"> 1.Hochdruckschalter in schlechtem Anschluss oder Ausfall 2.Umgebungs- Temperatur ist zu hoch 3.Wassertemperatur ist zu hoch 4.Wasserfluss ist zu niedrig 5.Fan Motordrehzahl ist abnormal oder Ventilatormotor hat beschädigt 	<ol style="list-style-type: none"> 1. Überprüfen Sie die Verdrahtung auf einen Hochdruckschalter oder ändern Sie eine neue 2. Überprüfen Sie den Wasserfluss oder die Wasserpumpe 3. Ventilator prüfen 4. Das Rohrleitungssystem prüfen und reparieren
Niederdruckversagen TS5	EE02	<ol style="list-style-type: none"> 1. Niederdruckschalter bei schlechtem Anschluss oder Ausfall 2.EEV ist blockiert oder Rohrsystem ist gestaut 3.Motorgeschwindigkeit ist abnormal oder Motor hat beschädigt 4.Gas Leckage 	<ol style="list-style-type: none"> 1. Die Verdrahtung auf Niederdruck prüfen oder eine neue ändern 2.Verwenden Sie die EEV und das Rohrleitungssystem Motor prüfen 3. Durch das Hochdruckmessgerät zur Überprüfung des Druckwertes
Kein Wasserfluss oder Wasserflussschalterausfall TS1	EE03 or "ON"	<ol style="list-style-type: none"> 1.Wasser-Flow-Schalter hat keinen Kontakt 2.Wasserstromschalter ist beschädigt 3.Kein bzw. Unzureichender Wasserfluss. 4.Durchflussschalter in der schlechten Weise montiert. 	<ol style="list-style-type: none"> 1. Die Verdrahtung für den Wasserstromschalter prüfen 2.Wählen Sie den Wasserflussschalter 3.Check die Wasserpumpe oder die Wasserstraße System 4.Überprüfen Sie die Strömungsschalterposition entsprechend der Wasserdurchflussrichtung.
Überheizungsschutz für Wassertemperatur (d2-TH5) im Heizbetrieb	EE04	<ol style="list-style-type: none"> 1.Geringer Wasserfluss 2.Wasser-Flow-Schalter ist fest und die Wasserversorgung ist abgeschnitten 3. d2-TH5-Sensor ist abnormal 	<ol style="list-style-type: none"> 1.Prüfen Sie das Rohrleitungssystem 2. Filterpumpe oder Wasserstromschalter prüfen 3. d2-TH5-Sensor prüfen oder einen anderen ändern
Abgastemperatur (d6-TH3) zu hoher Schutz	EE05	<ol style="list-style-type: none"> 1.Gasundichtigkeit 2.Geringer Wasserfluss 3.Rohrleitungssystem wurde blockiert 4.Auslasstemperatur Sensorfehler 	<ol style="list-style-type: none"> 1. Überprüfen Sie das Hochdruckmanometer, wenn es zu niedrig ist, füllen Sie es mit etwas Gas 2. Überprüfen Sie das Rohrleitungssystem und die Filterpumpe 3.Überprüfen Sie das Rohrleitungssystem, wenn es einen Blockade gab 4. Ändern Sie einen neuen Abgastemperatursensor

Fehlfunktion	Fehlercode	Grund	Lösung
Reglerfehler oder Kommunikationsfehler	EE06	<ol style="list-style-type: none"> 1. Drahtverbindung ist nicht gut oder beschädigter Signaldraht 2. Controller fehler 	<ol style="list-style-type: none"> 1. Überprüfen und wieder anschließen der Signalleitung 2. Montieren Sie ein neues Signalkabel 3. Stromversorgung abschalten und Maschine neu starten 4. Ändern eines neuen Controllers
Kompressorstromschutz	EE07	<ol style="list-style-type: none"> 1. Der Kompressorstrom ist zu groß momentan 2. Falscher Anschluss für Kompressor-Phasenfolge 3. Kompressor Ansammlungen von Flüssigkeit und Öl führen zum Strom wird größer 4. Kompressor oder Fahrerboard beschädigt 5. Die Wasserströmung ist abnormal 6. Kraftschwankungen innerhalb kurzer Zeit 	<ol style="list-style-type: none"> 1. Kompressor prüfen 2. Überprüfen Sie die Rohrleitung 3. Überprüfen Sie, ob die Stromversorgung im normalen Bereich erfolgt 4. Überprüfen Sie die Phasenfolgeverbindung
Kommunikationsfehler zwischen der Steuerung und der Hauptplatine	EE08	<ol style="list-style-type: none"> 1. Poor-Signalleitung oder beschädigte Signalleitung 2. Controller-Störung 	<ol style="list-style-type: none"> 1. Überprüfen und wieder anschließen der Signalleitung 2. Montieren Sie ein neues Signaldraht 3. Stromversorgung abschalten und Maschine neu starten 4. Ändern eines neuen Controllers
Kommunikationsfehler zwischen Hauptplatine und Treiberplatine	EE09	<ol style="list-style-type: none"> 1. Anschluss der Verbindung Draht 2. Der Draht ist beschädigt 	<ol style="list-style-type: none"> 1. Drücken Sie den Drahtanschluss 2. Keile einen neuen Draht
VDC-Spannung zu hoher Schutz	EE10	<ol style="list-style-type: none"> 1. An der Hauptplatine ist die Netzspannung zu hoch 2. Driver Bord ist beschädigt. 	<ol style="list-style-type: none"> 1. Überprüfen Sie, ob die Stromversorgung im normalen Bereich liegt 2. Fahren Sie an Bord oder Hauptplatine
Schutz der IPM-Module	EE11	<ol style="list-style-type: none"> 1. Datenfehler 2. Krong Verdichterphasenanschluss 3. Kompressor Flüssigkeit und Öl Anhäufung führen zum Strom wird größer 4. Schlechte Wärmeableitung des Antriebsmoduls oder hohe Umgebungstemperatur 5. Kompressor oder Fahrerboard beschädigt 	<ol style="list-style-type: none"> 1. Programmfehler, Stromversorgung abschalten und nach 3 Minuten neu starten 2. Kompressor-Sequenzverbindung prüfen 3. Den Systemdruck mit einem Manometer prüfen 4. Überprüfen Sie, ob die Umgebungs- und Wassertemperatur zu hoch ist 5. Fahren Sie mit dem Fahrerboard

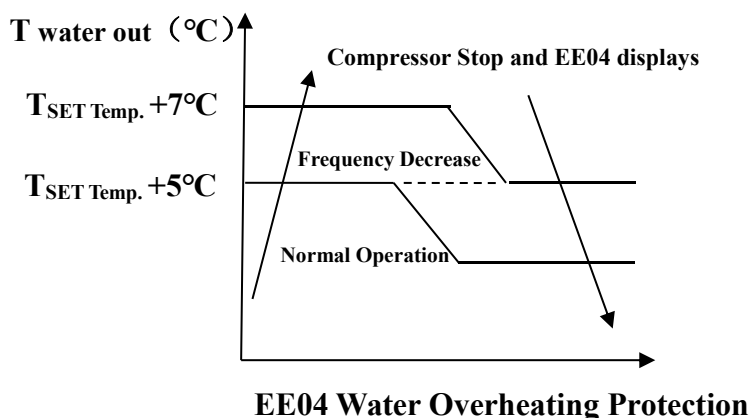
Fehlfunktion	Fehlercode	Grund	Lösung
VDC-Spannung zu wenig Schutz	EE12	<ol style="list-style-type: none"> 1.Mother Netzspannung ist zu niedrig 2.Driver Bord ist beschädigt. 	<ol style="list-style-type: none"> 1. Prüfen Sie, ob die Stromversorgung im normalen Bereich liegt 2. Fahrertreiber wechseln
Eingangsstrom über hohen Schutz	EE13	<ol style="list-style-type: none"> 1.Der Kompressorstrom ist zu groß momentan 2.Die Wasserströmung ist abnormal 3.Kraftschwankungen innerhalb kurzer Zeit 4.Wrong PFC Induktivität 	<ol style="list-style-type: none"> 1. Kompressor prüfen 2. Überprüfen Sie die Wasserstraße 3. Überprüfen Sie, ob die Stromversorgung im normalen Bereich liegt 4. Überprüfen Sie, ob die korrekte PFC-Induktivität verwendet wird
Der thermische Schaltkreis des IPM-Moduls ist abnormal	EE14	<ol style="list-style-type: none"> 1. Ausgang Abnormalität der IPM-Modul thermischen Kreislauf Motor 2. Lüfter ist funktionslos oder beschädigt 3. Lüfterflügel ist gebrochen 	<ol style="list-style-type: none"> 1. Fahren Sie eine Fahrerkarte 2. Überprüfen Sie, ob die Motordrehzahl zu niedrig ist oder der Lüftermotor beschädigt ist, ändern Sie einen anderen 3. Montieren Sie ein neues Lüfterrad
Die Temperatur des IPM-Moduls ist zu hoch	EE15	<ol style="list-style-type: none"> Ausfahrt Ausnahme des IPM-Modul-Thermo-Schaltkreises 2.Motor ist abnormal oder beschädigt 3.Lüfterflügel ist gebrochen 	<ol style="list-style-type: none"> 1. Fahren Sie eine Fahrerkarte 2. Überprüfen Sie, ob die Lüftermotordrehzahl zu niedrig ist oder der Lüftermotor beschädigt ist, ändern Sie einen anderen 3. Montieren Sie ein neues Lüfterrad
PFC-Modulschutz	EE16	<ol style="list-style-type: none"> 1.Ausgang Ausnahme des PFC-Moduls 2.Motor ist abnormal oder beschädigt 3.Fan Klinge ist gebrochen 4.Input Spannungssprung, Eingangsleistung ist abnormal 	<ol style="list-style-type: none"> 1. Fahren Sie eine Fahrerkarte 2. Überprüfen Sie, ob die Motordrehzahl zu niedrig ist oder der Lüftermotor beschädigt ist, ändern Sie einen anderen 3.Klappen Sie ein anderes Lüfterblatt 4. Überprüfen Sie die Eingangsspannung
DC-Lüftermotorausfall	EE17	<ol style="list-style-type: none"> 1.DC Motor ist beschädigt 2.Für die Dreiphasenprüfung, ob der Neutralleiter angeschlossen ist 3.Hauptplatine beschädigt 4.Das Lüfterrad ist fest 	<ol style="list-style-type: none"> 1.Detect DC-Motor, ersetzen durch eine neue 2.Überprüfen Sie die Verkabelung der Drehstrommaschine 3.Montieren Sie eine neue Hauptplatine 4.Ersetzen Sie eine neue Lüftermotor Treiberkarte für die Dreiphasen Maschine 5.Überprüfen Sie, ob sich vor dem Lüfterblatt eine Barriere befindet, und entfernen Sie diese

Fehlfunktion	Fehlercode	Grund	Lösung
Der thermische Schaltkreis des PFC-Moduls ist abnormal	EE18	Das Fahrer Brett ist beschädigt	1.Erfahren Sie eine neue Treiber-Board 2. Überprüfen Sie, ob die Lüftermotordrehzahl zu niedrig ist oder der Lüftermotor beschädigt ist, ändern Sie einen anderen
PFC-Modul Hochtemperaturschutz	EE19	1.PFC Modul thermische Schaltung Ausgang anormal 2.Motor ist abnormal oder beschädigt 3.Lüfterflügel ist gebrochen 4.Die Schraube im Fahrer Brett ist nicht fest	1.Erfahren Sie eine neue Treiber-Board 2. Überprüfen Sie, ob die Motordrehzahl zu niedrig ist oder der Lüftermotor beschädigt ist, ändern Sie einen anderen 3.Montieren Sie ein neues Lüfterrad 4. Überprüfen Sie, ob die Schraube locker ist
Der Eingangsstromausfall	EE20	Die Versorgungsspannung schwankt zu stark	Überprüfen Sie, ob die Spannung stabil ist
Software-Steuerabweichung	EE21	1.Kompressor läuft aus dem Schritt 2.Wrong Programm 3.Impurity im Kompressor verursacht die instabile Drehzahl	1. Überprüfen Sie die Hauptplatine oder ändern Sie eine neue 2.Geben Sie das richtige Programm ein
Stromdetektorausfall	EE22	1.Spannungssignal abnormal 2.Driver Board ist beschädigt 3.Motherboard-Fehler	1. Überprüfen Sie die Hauptplatine oder ändern Sie eine neue 2.Change eine neue Treiber-Board
Kompressorstart fehlgeschlagen	EE23	1.Main Board ist beschädigt 2.Kompressor Verdrahtungsfehler oder schlechter Kontakt oder unverbunden 3. Flüssigkeitsansammlung innen 4.Wrong Phasenanschluss für Kompressor	1. Überprüfen Sie die Hauptplatine oder ändern Sie eine neue 2.Die Verdichterverdrahtung gemäß Schaltplan prüfen Prüfen Sie den Kompressor oder ändern Sie einen neuen

Fehlfunktion	Fehlercode	Grund	Lösung
Umgebungs-Temperatur-Geräte-Fehler auf Treiber-Board	EE24	Störung der Umgebungstemperatur	Fahrrtreiber oder Hauptplatine wechseln
Kompressorphasenversagen	EE25	Die Kompressoren U, V, W sind mit einer Phase oder zwei Phasen verbunden	Überprüfen Sie die tatsächliche Verdrahtung gemäß Schaltplan
lesen Fehlfunktion von EEPROM-Daten	EE27	1.Falsche EEPROM Daten im Programm oder fehlgeschlagene Eingabe von EEPROM Daten 2.Main Board Ausfall	1. Geben Sie korrekte EEPROM-Daten ein 2.Change eine neue Hauptplatine
Der Inter-Chip-Kommunikationsfehler auf der Hauptsteuerplatine	EE28	Hauptplatine ausgefallen	1. Die Stromversorgung abschalten und neu starten 2.Montieren Sie eine neue Hauptplatine

7.12 Bemerkungen:

Wenn die Wasseraustrittstemperatur im Heizmodus höher als die eingestellte Temperatur über 7°C liegt, zeigt der LED-Controller EE04 für den Schutz vor Überhitzung an.



Zum Beispiel unten:

Modus	Wasser heraus Temperatur	Temperatur einstellen	Bedingung	Fehlfunktion
Heizmodus	36°C	29°C	$T_{out} - T_{set} \geq 7^{\circ}\text{C}$	EE04 Überhitzungsschutz für Wassertemperatur (d2-TH5)

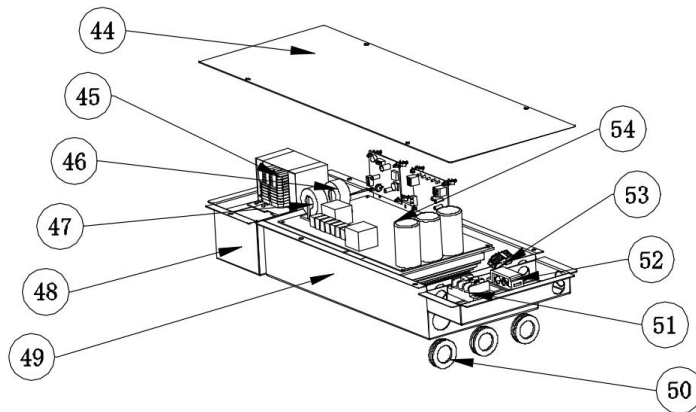
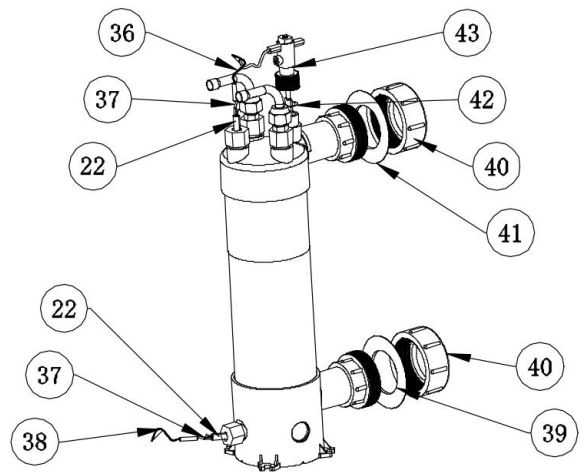
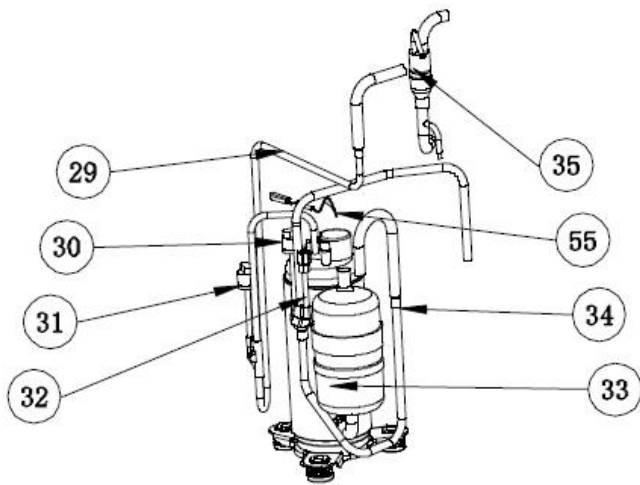
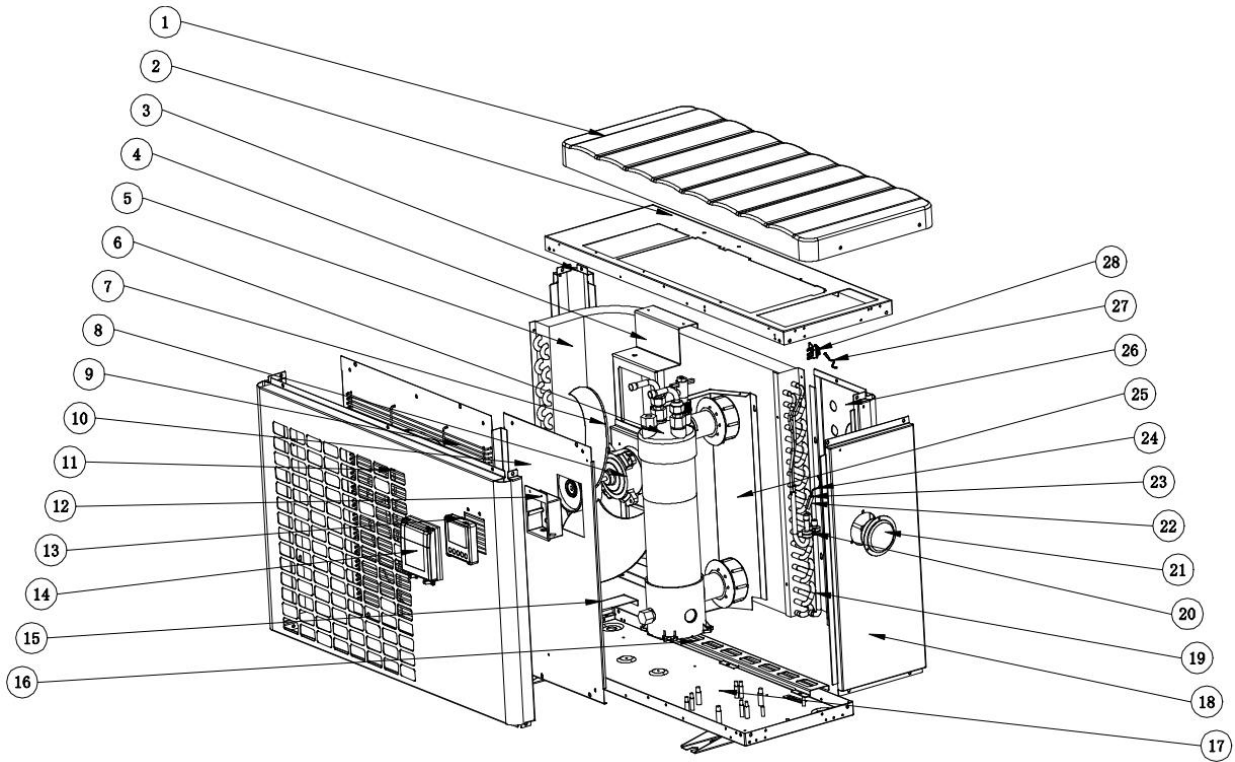
7.2 Andere Fehlfunktionen und ihre Lösung (werden nicht auf der LED-Kabelsteuerung angezeigt)

Fehlfunktion	Anzeichen	Ursachen	Lösung
Wärmepumpe läuft nicht	LED-Kabelsteuerung hat keine Anzeige	Keine Stromzufuhr	Überprüfen Sie ob Kabel und Schutzschalter verbunden sind
	LED-Kabelsteuerung zeigt die aktuelle Zeit an.	Wärmepumpe im Bereitschaftsmodus	Starten Sie die Wärmepumpe.
	LED-Kabelsteuerung zeigt die aktuelle Wassertemperatur an.	<ol style="list-style-type: none"> 1. Wassertemperatur erreicht den vorgesehenen Wert, HP ist auf konstantem Temperaturniveau 2. Wärmepumpe hat erst zu arbeiten angefangen 3. Im Auftaumodus 	<ol style="list-style-type: none"> 1. Überprüfen Sie die Wassertemperatureinstellungen. 2. Starten Sie die Wärmepumpe nach ein paar Minuten. 3. LED-Kabelsteuerung sollte "Defrosting" anzeigen.
Kurze Laufzeiten	LED-Bildschirm zeigt aktuelle Wassertemperatur an, kein Fehlercode wird angezeigt.	<ol style="list-style-type: none"> 1. Ventilator läuft nicht 2. Luftzirkulation ist nicht ausreichend. 3. Unzureichende Kühlmittel. 	<ol style="list-style-type: none"> 1. Überprüfen Sie die Kabelverbindungen zwischen dem Motor und dem Ventilator. Wenn nötig sollten Sie ersetzt werden. 2. Überprüfen Sie die Position der Wärmepumpeneinheit, und entfernen Sie alle Hindernisse um eine optimale Luftzirkulation zu erreichen. 3 Ersetzen oder reparieren Sie die Wärmepumpeneinheit.
Wasserflecken	Wasserflecken auf der Wärmepumpeneinheit	<ol style="list-style-type: none"> 1. Beton. 2. Wasserlecke. 	<ol style="list-style-type: none"> 1. Nichts tun. 2. Überprüfen Sie den Luft-Wärmewechsler auf Defekte.
Zu viel Eis am Verdampfer	Zu viel Eis am Verdampfer		<ol style="list-style-type: none"> 1. Überprüfen Sie die Position der Wärmepumpeneinheit, und entfernen Sie alle Hindernisse, um eine optimale Luftzirkulation zu erreichen. 2. Ersetzen oder reparieren Sie die Wärmepumpeneinheit.

8. Explosionszeichnung

8.1 Explosionszeichnung

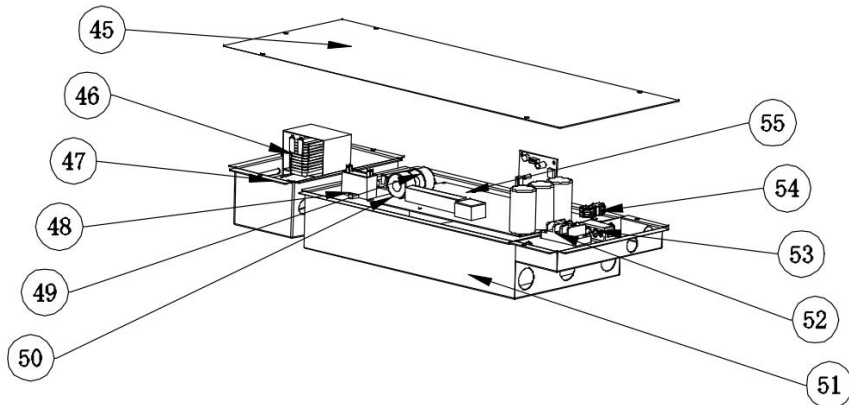
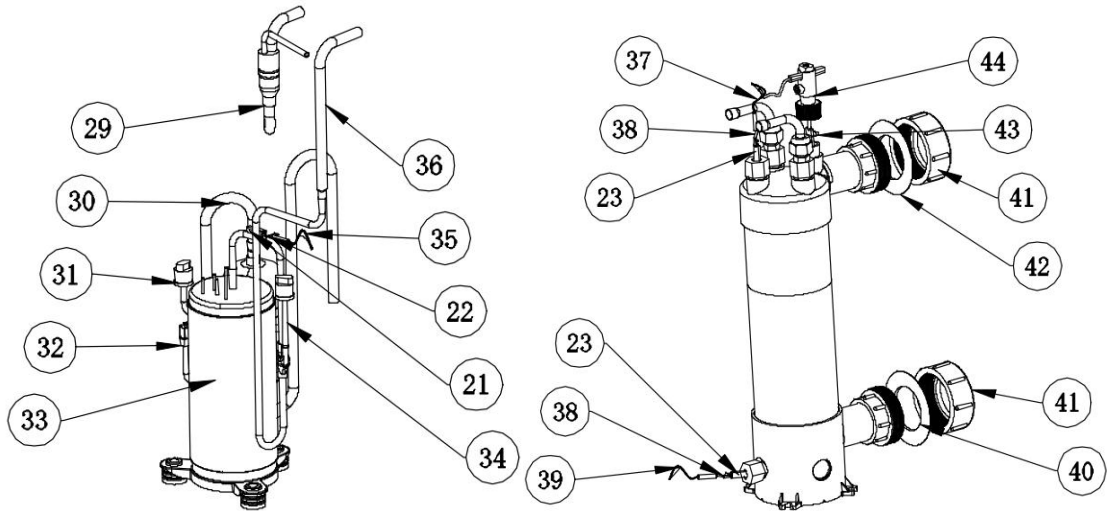
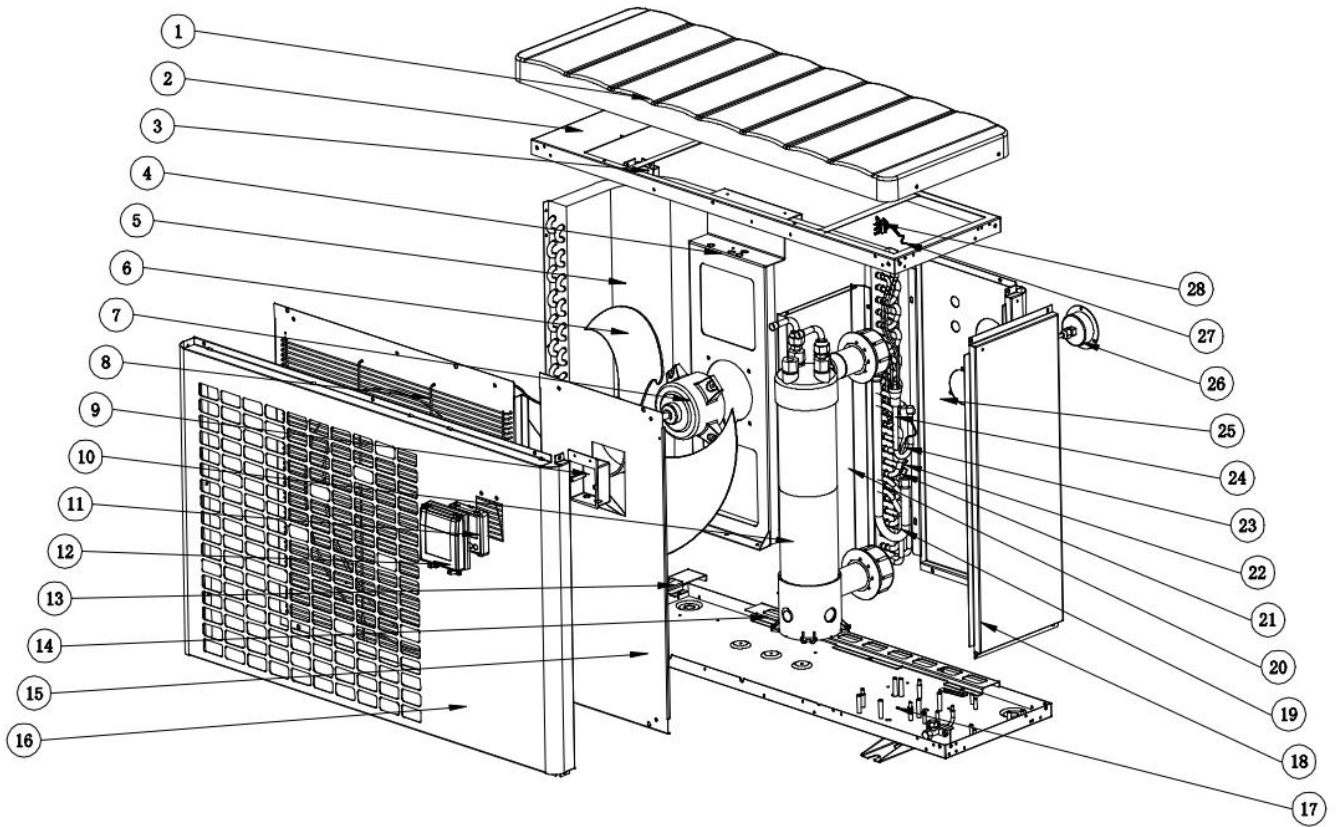
Modell:VSP-10



Spare parts list: VSP-10

NO	ERP	Spare parts	NO	ERP	Spare parts
1	133340015	Obere Abdeckung	29	113020611	Auspuff
2	108830029	Oberer Rahmen	30	112100046	Niederdruckschalter
3	108830055	Säule	31	112100030	Hochdruckschalter
4	108830006	Lüftermotorhalterung	32	120000098	Gas ventil
5	103000271	Verdampfer	33	101000221	Kompressor
6	102040856	Titan-Wärmetauscher	34	113020565	Gasrückführung
7	113600007	Ventilatorflügel	35	113090091	Austausch gegen Kapillare
8	112000041	Lüftermotor	36	117110012	Sonda T ^a de entrada de agua. sensor TH6
9	108830057	Frontplattenbaugruppe	37	108010025	Clip del sensor de temperatura del intercambiador
10	108830024	Wartungspanel	38	117110011	Sonda T ^a salida de agua sensor TH5
11	108830060	Frontblende	39	133020011	Anillo de goma azul
12	133030011	Kontrollbox	40	113900082	Conjuntos de conexión de agua
13	117020244	Controller	41	133020012	Anillo de goma rojo
14	113712007	Controller-Abdeckung	42	133020026	Gummiring am Wasseranschluss
15	108830004	Verdampferkissen	43	112100021-1	Interruptor de flujo de agua
16	108830005	Verdampferkissen	44	108830031	Elektrische Boxabdeckung
17	108830017	Basisfach	45	117230003	Reaktor
18	108830059	Rechtes Panel	46	117240002	Magnetring
19	103000271	Kollektive Rohrleitungen	47	117240003	Magnetring
20	136020018	Gummi	48	108830026	Caja reaktor
21	106000011	Druckanzeige	49	108830030	Caja electrica
22	113190001	Clip	50	136020119	Gummiring
23	113190007	Sensorgehäuseleitung	51	115000002	3-sitziges Terminal
24	117110004	Rohrtemp. Sensor TH2	52	136010004	Presilla para cables de conexión
25	108830003	Isolationsplatte	53	115000060	2-sitziges Terminal
26	108830056	Rückseite	54	117100069	PCB
27	117110020	Umgebungstemperatur. Sensor TH1	55	117110021	Abgastemp. Sensor TH3
28	133020010	Umgebungstemperatur. Sensorclip			

Modell: VSP-12 / VSP-15 / VSP-17



Spare parts list: VSP-12

NO	ERP	Spare parts	NO	ERP	Spare parts
1	133300019	Obere Abdeckung	29	113090087	Austausch gegen Kapillare
2	108790071	Oberer Rahmen	30	113020544	Gasrückführung
3	108790107	Säule	31	112100046	Niederdruckschalter
4	108790027	Lüftermotorhalterung	32	120000097	Gas ventil
5	103000283	Verdampfer	33	101000222	Kompressor
6	132000015	Ventilatorflügel	34	112100030	Hochdruckschalter
7	112000031	Lüftermotor	35	117110021	Abgastemp. Sensor d6-TH3
8	108790127	Frontplattenbaugruppe	36	113010392	Auspuff
9	133030011	Kontrollbox	37	117110012	Sonda T ^a de entrada de agua. sensor d1-TH6
10	102040861	Titan-Wärmetauscher	38	108010025	Clip del sensor de temperatura del intercambiador
11	117020244	Controller	39	117110011	Sonda T ^a salida de agua sensor d2-TH5
12	113712007	Controller-Abdeckung	40	133020011	Anillo de goma azul
13	108790025	Verdampferkissen	41	113900082	Conjuntos de conexión de agua
14	108790026	Verdampferkissen	42	133020012	Anillo de goma rojo
15	108790081	Wartungspanel	43	133020026	Gummiring am Wasseranschluss
16	108790106	Frontblende	44	112100021-1	Interruptor de flujo de agua
17	108790101	Basisfach	45	108790072	Elektrische Boxabdeckung
18	108790109	Rechtes Panel	46	117230003	Reaktor
19	103000283	Kollektive Rohrleitungen	47	108790073	Caja reaktor
20	108790024	Isolationsplatte	48	111000006	Lüfterkondensator
21	113190001	Clip	49	117240002	Magnetring
22	113190007	Sensorgehäuseleitung	50	117240003	Magnetring
23	117110004	Rohrtemp. Sensor d5-TH2	51	108790075	Caja reaktor
24	103000283	Verteilungsrohrleitung	52	115000002	3-sitziges Terminal
25	108790108	Rückseite	53	136010004	Presilla para cables de conexión
26	106000011	Druckanzeige	54	115000060	2-sitziges Terminal
27	117110020	Umgebungstemperatur. Sensor d3-TH1	55	117100069	PCB
28	133020010	Umgebungstemperatur. Sensorclip			

Spare parts list: VSP-15

NO	ERP	Spare parts	NO	ERP	Spare parts
1	133300019	Obere Abdeckung	29	113090087	Austausch gegen Kapillare
2	108790071	Oberer Rahmen	30	113020544	Gasrückführung
3	108790107	Säule	31	112100046	Niederdruckschalter
4	108790027	Lüftermotorhalterung	32	120000097	Gas ventil
5	103000290	Verdampfer	33	101000222	Kompressor
6	132000015	Ventilatorflügel	34	112100030	Hochdruckschalter
7	112000031	Lüftermotor	35	117110021	Abgastemp. Sensor d6-TH3
8	108790127	Frontplattenbaugruppe	36	113010392	Auspuff
9	133030011	Kontrollbox	37	117110012	Sonda T ^a de entrada de agua. sensor d1-TH6
10	102040865	Titan-Wärmetauscher	38	108010025	Clip del sensor de temperatura del intercambiador
11	117020244	Controller	39	117110011	Sonda T ^a salida de agua sensor d2-TH5
12	113712007	Controller-Abdeckung	40	133020011	Anillo de goma azul
13	108790025	Verdampferkissen	41	113900082	Conjuntos de conexión de agua
14	108790026	Verdampferkissen	42	133020012	Anillo de goma rojo
15	108790081	Wartungspanel	43	133020026	Gummiring am Wasseranschluss
16	108790106	Frontblende	44	112100021-1	Interruptor de flujo de agua
17	108790101	Basisfach	45	108790072	Elektrische Boxabdeckung
18	108790109	Rechtes Panel	46	117230003	Reaktor
19	103000290	Kollektive Rohrleitungen	47	108790073	Caja reaktor
20	108790024	Isolationsplatte	48	111000006	Lüfterkondensator
21	113190001	Clip	49	117240002	Magnetring
22	113190007	Sensorgehäuseleitung	50	117240003	Magnetring
23	117110004	Rohrtemp. Sensor d5-TH2	51	108790074	Caja reaktor
24	103000290	Verteilungsrohrleitung	52	115000002	3-sitziges Terminal
25	108790108	Rückseite	53	136010004	Presilla para cables de conexión
26	106000011	Druckanzeige	54	115000060	2-sitziges Terminal
27	117110020	Umgebungstemp. Sensor d3-TH1	55	117100065	PCB
28	133020010	Umgebungstemp. Sensorclip			

Spare parts list: VSP-17

NO	ERP	Spare parts	NO	ERP	Spare parts
1	133300019	Obere Abdeckung	29	113090087	Austausch gegen Kapillare
2	108790071	Oberer Rahmen	30	113020581	Gasrückführung
3	108790107	Säule	31	112100046	Niederdruckschalter
4	108790027	Lüftermotorhalterung	32	120000097	Gas ventil
5	103000291	Verdampfer	33	101000181	Kompressor
6	132000015	Ventilatorflügel	34	112100030	Hochdruckschalter
7	112000031	Lüftermotor	35	117110021	Abgastemp. Sensor d6-TH3
8	108790127	Frontplattenbaugruppe	36	113020625	Auspuff
9	133030011	Kontrollbox	37	117110012	Sonda T ^a de entrada de agua. sensor d1-TH6
10	102040999	Titan-Wärmetauscher	38	108010025	Clip del sensor de temperatura del intercambiador
11	117020244	Controller	39	117110011	Sonda T ^a salida de agua sensor d2-TH5
12	133020061	Controller-Abdeckung	40	133020011	Anillo de goma azul
13	108790025	Verdampferkissen	41	102050004	Conjuntos de conexión de agua
14	108790026	Verdampferkissen	42	133020012	Anillo de goma rojo
15	108790081	Wartungspanel	43	133020026	Gummiring am Wasseranschluss
16	108790106	Frontblende	44	112100021-1	Interruptor de flujo de agua
17	108790093	Basisfach	45	108790072	Elektrische Boxabdeckung
18	108790109	Rechtes Panel	46	117230003	Reaktor
19	103000291	Kollektive Rohrleitungen	47	108790073	Caja reaktor
20	108790024	Isolationsplatte	48	111000006	Lüfterkondensator
21	113190001	Clip	49	117240002	Magnetring
22	113190007	Sensorgehäuseleitung	50	117240003	Magnetring
23	117110004	Rohrtemp. Sensor d5-TH2	51	108790074	Caja reaktor
24	103000291	Verteilungsrohrleitung	52	115000002	3-sitziges Terminal
25	108790108	Rückseite	53	136010004	Presilla para cables de conexión
26	106000011	Druckanzeige	54	115000060	2-sitziges Terminal
27	117110020	Umgebungstemp. Sensor d3-TH1	55	117100065	PCB
28	133020010	Umgebungstemp. Sensorclip			

9. Wartung

Warnung !

- Vor Wartungsarbeiten am Gerät müssen Sie die Stromversorgung unterbrechen, da die Gefahr eines Stromschlags besteht, der zu Sachschäden, schweren Verletzungen oder sogar zum Tod führen kann.
- Es wird empfohlen, das Gerät mindestens einmal jährlich einer allgemeinen Wartung zu unterziehen, um seinen ordnungsgemäßen Betrieb sicherzustellen, das Leistungsniveau aufrechtzuerhalten und mögliche Ausfälle zu vermeiden. Diese Arbeiten werden auf Kosten des Benutzers von einem qualifizierten Techniker durchgeführt, um die Wartung zu gewährleisten von einem qualifizierten Techniker durchgeführt.
- Für Wartungsarbeiten, die von einem qualifizierten Techniker durchgeführt werden sollen, lesen Sie bitte die Sicherheitshinweise auf den vorherigen Seiten im Kapitel "Wartung: Warnhinweise zu Geräten, die R32-Kältemittel enthalten", bevor Sie die unten beschriebenen Wartungsarbeiten durchführen

- 1) Sie sollten das Wasserzufuhrsystem regelmäßig überprüfen, um zu vermeiden dass Luft in das System eindringt und geringe Wasserflussmenge verursacht, denn das würde die Leistung und Zuverlässigkeit der HP-Einheit reduzieren.
- 2) Reinigen Sie ihr Becken und Filtersystem regelmäßig um Schäden an der Einheit durch verschmutzte Filter zu vermeiden.
- 3) Ansonsten sollten überprüfen ob die Einheit mit Wasser gefüllt ist, bevor Sie sie starten.
- 4) Nachdem die Einheit für die Winterseason ausgerüstet wurde, sollte sie mit einer speziellen Winterdecke abgedeckt werden.
- 5) Während die Einheit läuft ist es normal wenn ein wenig Wasser darunter ausläuft.
- 6) Bitte entleeren Sie das Wasser in der Wärmepumpe immer im Winter oder wenn die Umgebungstemperatur unter 0 °C fällt. Andernfalls wird der Titan-Wärmetauscher durch Gefrieren beschädigt. In diesem Fall geht Ihre Garantie verloren

VSP INVERTER +7°C

Manuale di Installazione e Uso

Indice

1. Specifiche
2. Dimensioni
3. Installazione e collegameto
4. Kit di installazione
5. Cablaggio elettrico
6. Funzionamento del controller
7. Risoluzione dei problemi
8. Esploso e manutenzione
9. manutenzione

Grazie per aver usato la nostra pompa di calore per riscaldare la piscina, La pompa può ne riscalderà l'acqua mantenendone costante la temperatura quando quella ambiente varia tra i +7 e i 43°C.



ATTENZIONE:

- Per quanto concerne funzionamento e manutenzione attenersi a quanto suggerito nel presente manuale. Conservare e trasmettere questo manuale per dopo per tutta la vita utile dell'apparecchio.
- Utilizzare solamente pezzi di ricambio standard
- Far funzionare il prodotto ed eseguire gli interventi di manutenzione con la frequenza consigliata nel presente manuale.

1. Specifiche

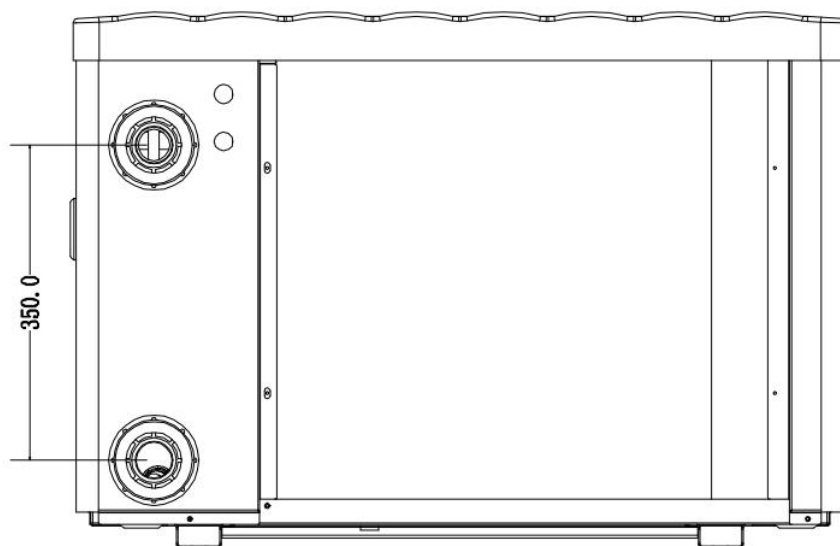
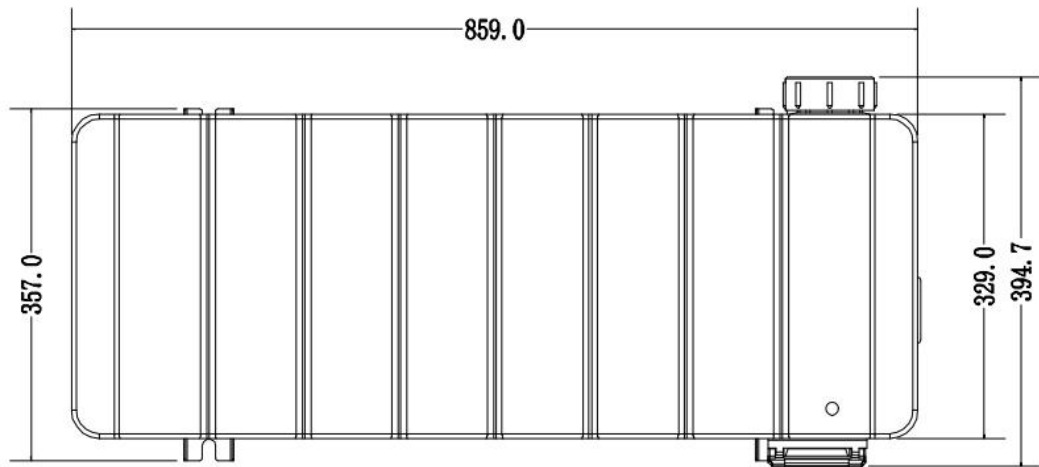
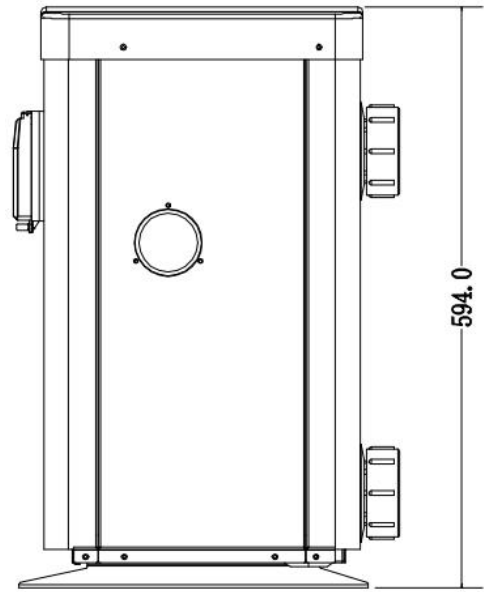
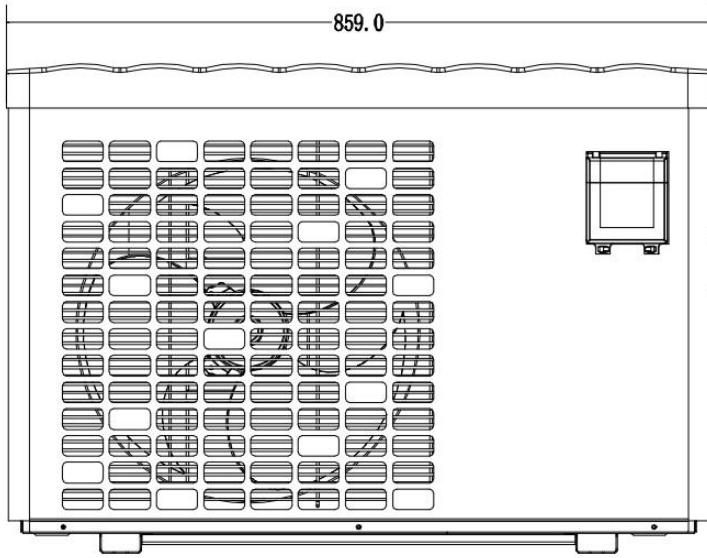
Dati tecnici

Modello		74148	74149	74150	74151
Codice		VSP-10	VSP-12	VSP-15	VSP-17
*Le prestazioni in Aria 28°C, Acqua 28°C, Umidità 80%					
Capacità di riscaldamento	kW	10-2.3	12-2.9	15-3.2	17-3.8
Consumo di energia	kW	1.55-0.14	1.77-0.18	2.26-0.2	2.67-0.23
C.O.P.		16-6.5	16-6.8	16-6.6	16-6.4
*Le prestazioni in Aria 15°C, Acqua 26°C, Umidità 70%					
Capacità di riscaldamento	kW	7-1.9	8.5-2	10-2.2	12-3
Consumo di energia	kW	1.43-0.27	1.72-0.28	2.07-0.31	2.43-0.42
C.O.P.		7.1-4.9	7.2-4.9	7.2-4.8	7.2-4.9
* Dati generali					
Compressore		Compressore inverter			
Voltaggio	V	220~240V / 50Hz /1PH			
Corrente nominale	A	6.9	7.9	10.0	11.8
Fusibile di protezione	A	10	12	15	18
Portata d'acqua	m ³ /h	2.8	3.7	4.0	4.6
Perdite di carico circuito acqua	Kpa	12	14	15	15
Scambiatore di calore		Tubo Twist-Titanium in PVC			
Collegamento dell'acqua	mm	50			
Fan quantity		1			
Tipo di ventilazione		Orizzontale			
Pressione sonora (10m)	dB(A)	22-34	23-35	23-37	24-37
Pressione sonora (1m)	dB(A)	40-52	40-52	40-54	41-54
Quantità di refrigerante(R32)	g	650	700	1000	1100
CO2 equivalente	Tonne	0.44	0.47	0.68	0.74
* Dimension/ Weight					
Peso netto	kg	56	68	73	78
Peso lordo	kg	68	73	78	83
Dimensione netta	mm	859*394.7*594	987*418.7*693.5		
Dimensione dell'imballo	mm	890*425*630	1015*445*715		

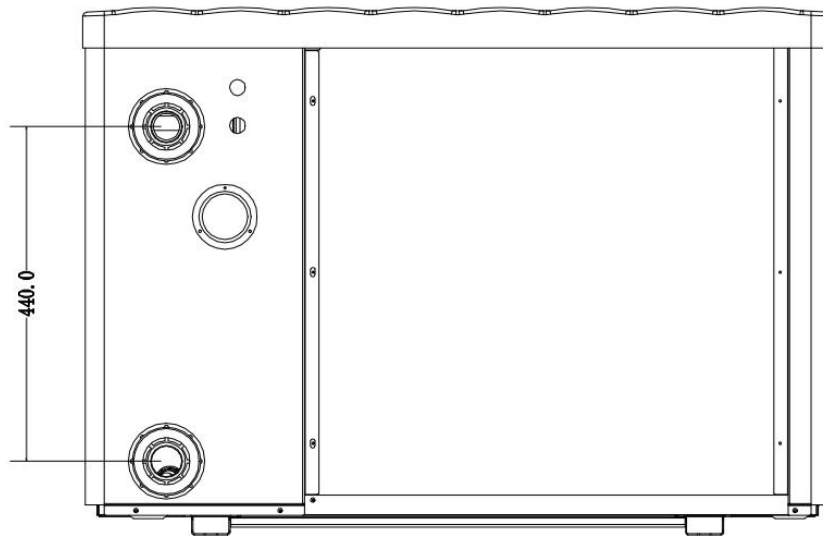
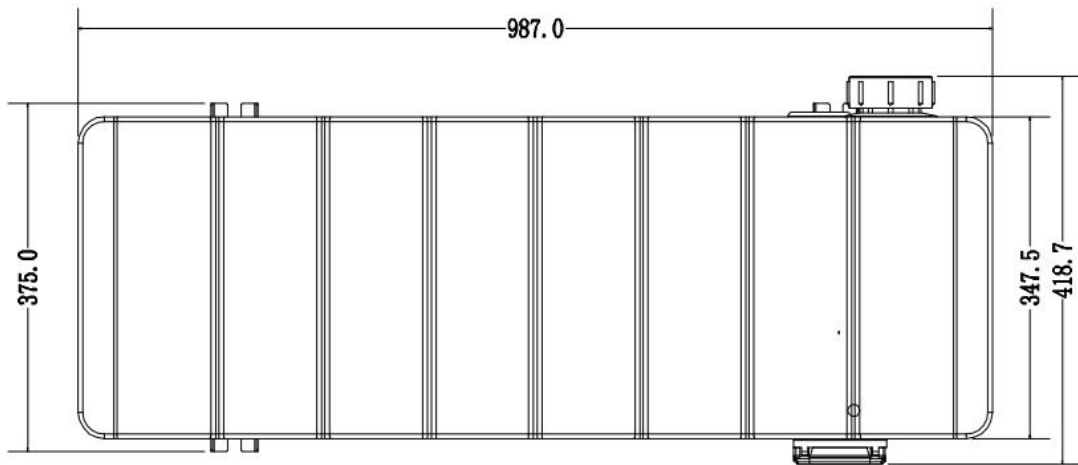
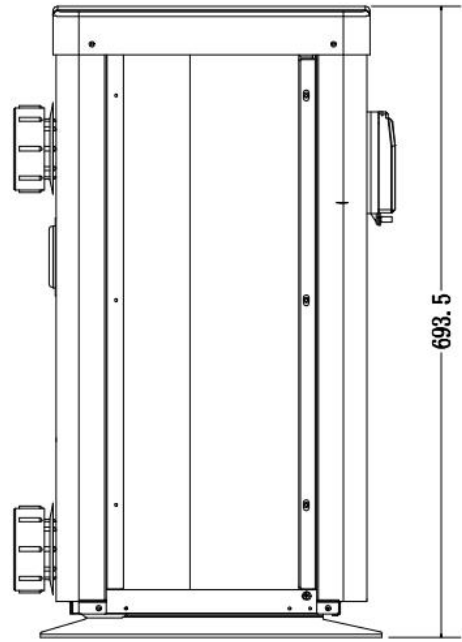
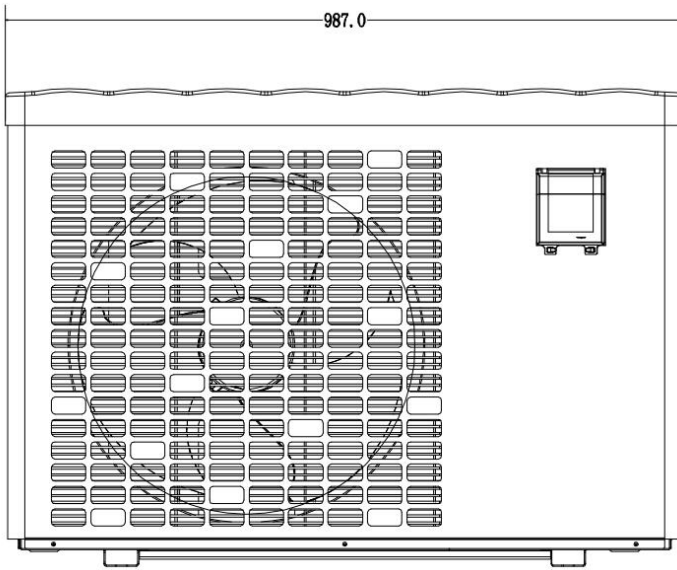
* Ci si riserva il diritto di apportare modifiche ai dati riportati nella tabella senza preavviso

2 Dimensioni (mm)

Modello:VSP-10



Modello: VSP-12 & VSP-15 & VSP-17



3. Installazione e collegamento

3.1 Nota

I rifornimenti della fabbrica solo la pompa di calore. Tutti gli altri componenti, tra cui un bypass se necessario, devono essere forniti dall'utente o dall'installatore.

Attenzione:

Si prega di osservare le seguenti regole durante l'installazione della pompa di calore:

1. Qualsiasi aggiunta di sostanze chimiche deve avvenire nelle tubazioni a valle della pompa di calore.
2. Installare un bypass se il flusso dell'acqua dalla pompa piscina è superiore al 20% maggiore della portata consentita attraverso lo scambiatore di calore della pompa di calore.
3. Installare la pompa di calore al di sopra del livello dell'acqua della piscina.
4. collocare sempre la pompa di calore su una base solida e utilizzare i supporti in gomma in dotazione per evitare vibrazioni e rumore.
5. Tenere sempre la pompa di calore in posizione verticale. Se l'unità è stata tenuta in un angolo, attendere almeno 24 ore prima di avviare la pompa di calore.

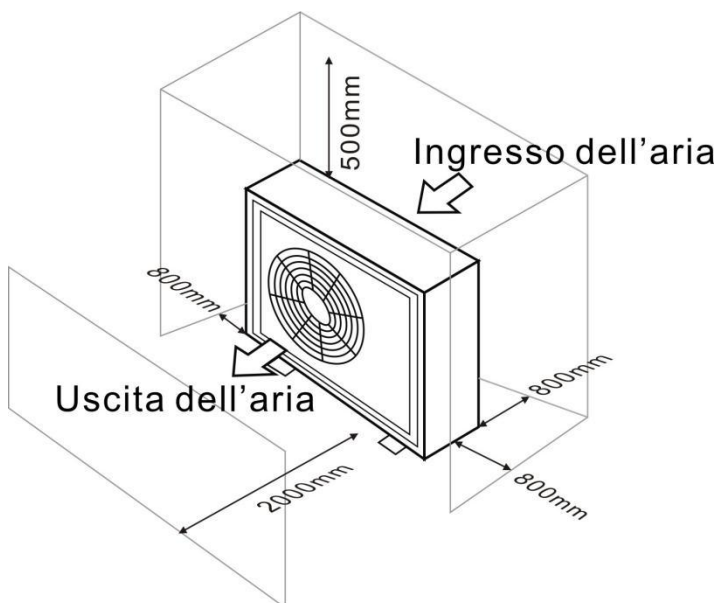
3.2 Posizione della pompa di calore

L'unità funziona correttamente in qualsiasi posizione desiderata finchè i seguenti tre elementi sono presenti:

1. Aria fresca - 2. Elettricità - 3. nuoto filtri piscina

L'unità può essere installata praticamente in qualsiasi luogo all'aperto, purché le distanze minime indicate ad altri oggetti vengono mantenuti (vedi disegno qui sotto). Si prega di consultare il programma di installazione per l'installazione di una piscina coperta. L'installazione in una posizione ventosa non presenta alcun problema, contrariamente alla situazione con un riscaldatore a gas (compresi problemi fiamma pilota).

Attenzione: L'impianto non deve essere installato in una limitata zona ventilata, o posto in un cespuglio dove si blocca l'entrata dell'aria. Questi posti impediscono l'impianto di una continua fonte di aria fresca. Quando cambia la stagione, probabilmente le foglie cadono sull'evaporatore, così da ridurre l'efficienza e danneggiare la sua vita di servizio. Vedere il disegno sottostante per le dimensioni minime.



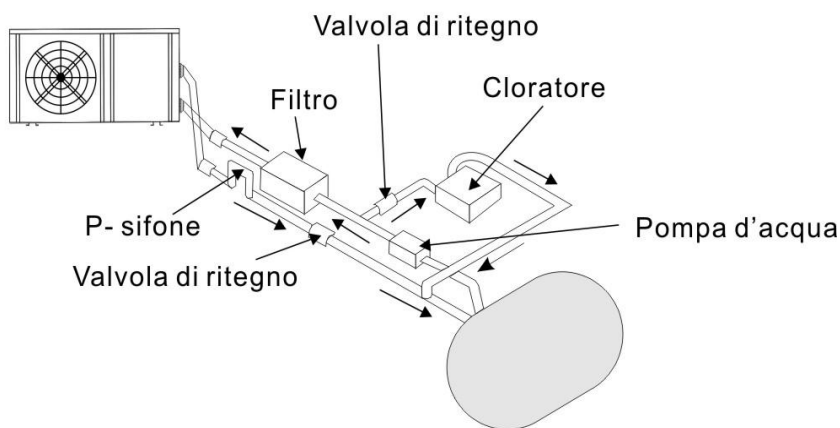
3.3 Distanza dalla piscina

La pompa di calore è normalmente installato all'interno di una zona perimetrale estendentesi 7,5 m dalla piscina. Maggiore è la distanza dalla piscina, maggiore è la perdita di calore nei tubi. Poiché i tubi sono principalmente sotterraneo, la perdita di calore è basso per distanze fino a 30 m (15 m da e verso la pompa, 30 m in totale) a meno che il terreno è bagnato o il livello delle acque sotterranee è alto. Una stima approssimativa della perdita di calore per 30 m è 0.6 kWh (2.000 BTU) per ogni differenza 5 ° C tra la temperatura dell'acqua in piscina e la temperatura del terreno circostante il tubo. Questo aumenta il tempo di funzionamento del 3% al 5%.

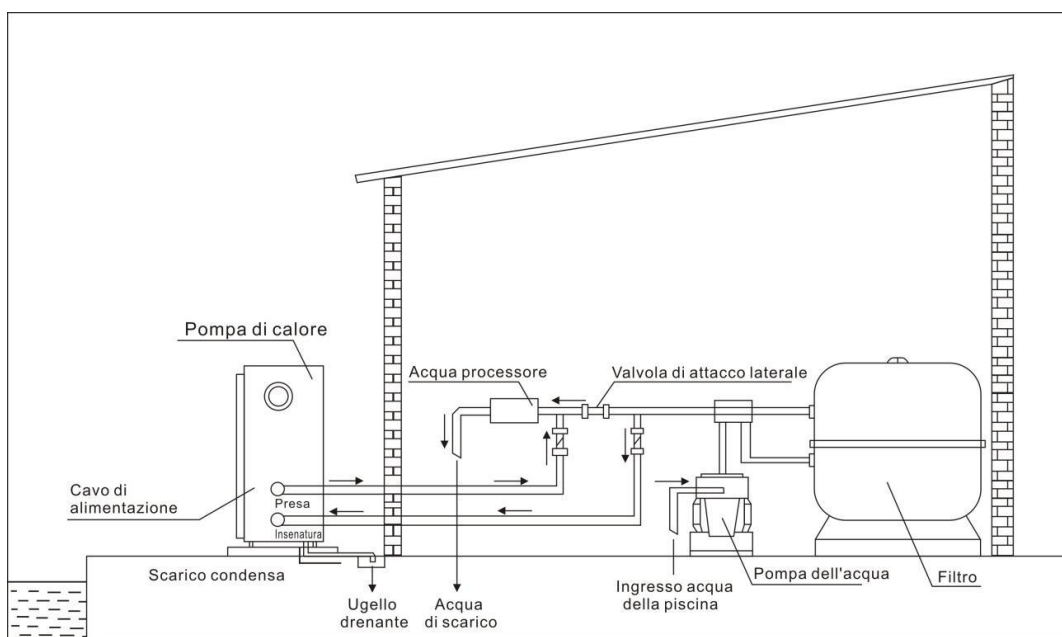
3.4 Valvola di ritegno installazione

Nota: Se viene utilizzato un apparecchio di dosaggio automatico per il cloro e acidità (pH), è indispensabile per proteggere la pompa di calore contro concentrazioni chimiche eccessivamente elevate che possono corrodere lo scambiatore di calore. Per questo motivo, le attrezzature di questo tipo deve sempre essere installato nella tubazione sul lato a valle della pompa di calore, e si consiglia di installare una valvola di ritegno per impedire un flusso inverso in assenza di circolazione dell'acqua. I danni alla pompa di calore causati dalla mancata osservanza di questa indicazione non è coperto dalla garanzia.

Cloratore o Bromuratore del tipo di pressione

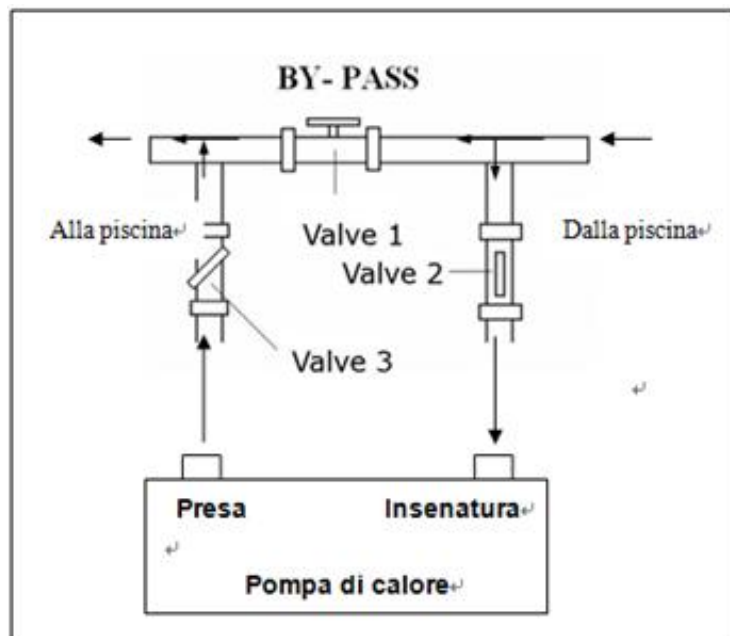


3.5 Disposizione tipica



Nota: Questa disposizione è solo un esempio illustrativo.

3.6 Regolazione del bypass



Si prega di prendere sotto i passaggi per regolare il by-pass:

1. Valvola 1 spalancata. Valvola 2 e valvola 3 chiuse.
2. Aprire lentamente la valvola 2 e la valvola 3 della metà, quindi chiudere lentamente la valvola 1 per aumentare il flusso dell'acqua alla valvola 2 e alla valvola 3.
3. Se mostra "ON" o "EE3" sul display, significa che il flusso d'acqua nella pompa di calore non è sufficiente, quindi è necessario regolare le valvole per aumentare il flusso d'acqua attraverso la pompa di calore.

Come ottenere il flusso d'acqua ottimale:

Si prega di accendere la pompa di calore sotto la funzione di riscaldamento, in primo luogo chiudere il by-pass e aprirlo lentamente per avviare la pompa di calore (la macchina non può iniziare a funzionare quando il flusso d'acqua è insufficiente).

Continuare a regolare il by-pass, nel frattempo verificare la temperatura dell'acqua in ingresso. & Temperatura dell'acqua in uscita, sarà ottimale quando la differenza è di circa 2 gradi.

3.7 Collegamento elettrico

Nota: Anche se la pompa di calore è isolata elettricamente dal resto del sistema piscina, questo impedisce solo il flusso di corrente elettrica o dall'acqua nella piscina. La messa a terra è ancora necessaria per la protezione contro i cortocircuiti all'interno dell'unità. Sempre fornire una buona messa a terra. L'installatore deve consultare il fornitore di energia elettrica se necessario e assicurarsi che l'apparecchiatura sia collegata correttamente a una rete elettrica con impedenza inferiore a 0,095 ohm.

Avvertenza: prima di qualsiasi lavoro all'interno dell'apparecchio, è necessario interrompere l'alimentazione elettrica dell'apparecchio poiché esiste il rischio di scosse elettriche che possono causare danni materiali, lesioni gravi o addirittura la morte.

- **I terminali serrati in modo errato possono causare il surriscaldamento della morsettiera, che può invalidare la garanzia.**

- **Solo un tecnico qualificato ed esperto è autorizzato a eseguire lavori di cablaggio all'interno del**

apparecchio o per sostituire il cavo di alimentazione.

Prima di collegare l'apparecchio, verificare che la tensione di alimentazione corrisponda alla tensione di funzionamento della pompa di calore.

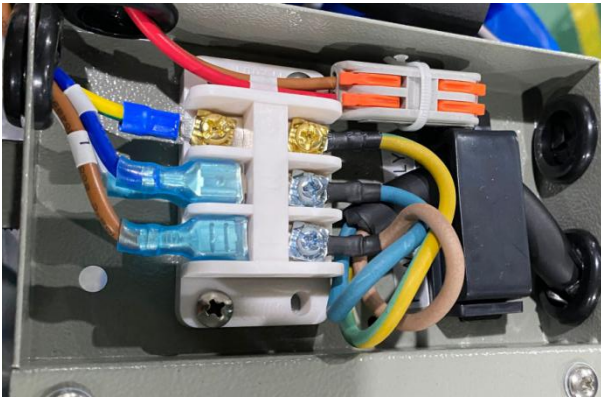
Si raccomanda di collegare la pompa di calore ad un circuito con un proprio fusibile o interruttore automatico (tipo lento; curva D) e di utilizzare il cablaggio adeguato.

Per i modelli orizzontali: rimuovere il pannello a destra della ventola.

Collegare i cavi elettrici alla morsettiera contrassegnata 'POWER SUPPLY'

Un secondo blocco terminale marcato 'WATER PUMP' si trova accanto al primo. La pompa filtro (max.

5 A / 0 V) può essere collegato al secondo morsetto qui. Questo permette il funzionamento della pompa del filtro di essere controllato dalla pompa di calore.



3.8 Messa in funzione

Nota: Al fine di riscaldare l'acqua della piscina (o vasca idromassaggio), la pompa filtro deve essere in esecuzione per causare l'acqua a circolare attraverso la pompa di calore. La pompa di calore non si avvia se l'acqua non è in circolazione.

Dopo che tutti i collegamenti sono stati fatti e controllato, eseguire la seguente procedura:

1. Accendere la pompa filtro. Controllare la presenza di perdite e verificare che l'acqua scorre da e per la piscina.
2. Collegare l'alimentazione alla pompa di calore e premere il pulsante di accensione / spegnimento sul pannello di controllo elettronico. L'unità si avvia dopo l'intervallo di tempo scade (vedi sotto).
3. Dopo qualche minuto, verificare se il soffiaggio dall'unità è più fresco.
4. Quando spegnere la pompa del filtro, l'unità dovrebbe anche spegnere automaticamente, se non, quindi regolare l'interruttore di flusso.
5. Consentire la pompa di calore e la pompa filtro funzionano 24 ore al giorno fino al raggiungimento della temperatura desiderata. La pompa di calore viene interrotta a questo punto. Dopo questo, si riavvia automaticamente (fino a quando la pompa filtro è in funzione) ogni volta che la temperatura dell'acqua della piscina scende di 2 gradi al di sotto della temperatura impostata.

A seconda della temperatura iniziale dell'acqua nella piscina e la temperatura dell'aria, può richiedere alcuni giorni per riscaldare l'acqua alla temperatura desiderata. Una buona copertura piscina può ridurre drasticamente la durata di tempo richiesto.

Interruttore del flusso d'acqua:

Il gruppo è dotato di un interruttore di flusso per proteggere il componente HP al fine di farlo operare con l'adeguato tasso di flusso d'acqua. L'interruttore si accende quando la pompa di piscina funziona e si spegne quando la pompa smette di lavorare.

Ritardo del tempo:

Il componente HP dovrebbe essere equipaggiato con una 3-minuti built-in solid-state re-start protezione del ritardo. Il controllore del ritardo del tempo è una parte integrale del controllo di circuito, e può eliminare il ciclismo del riavviamento e la vibrazione del contattore.

Il ritardo del tempo riavvia automaticamente il componente HP per circa 3 minuti approssimativamente dopo ogni interruzione del controllo di circuito. Una breve interruzione di power può provocare il ritardo di riavviamento dello stato di solido per 3 minuti, e prevenire il componente da quando comincia a funzionare fino a quando è terminato il conteggio alla rovescia per 3 minuti.

3.9 condensa


L'aria aspirata nella pompa di calore è fortemente raffreddato dal funzionamento della pompa di calore per riscaldare l'acqua della piscina, che può causare la formazione di condensa sulle alette dell'evaporatore. La quantità di condensa può essere fino a diversi litri all'ora ad alta umidità relativa. Questo è talvolta erroneamente considerato una perdita d'acqua.


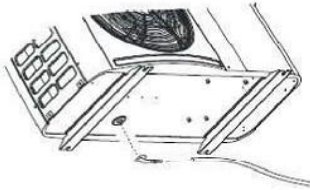


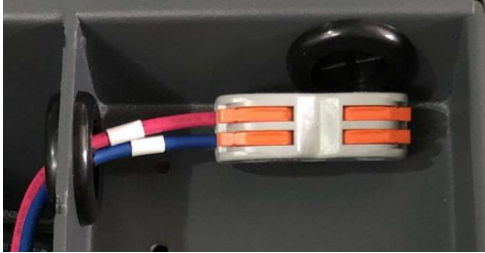
4. Kit di installazione

4.1 Elenco accessori

		
Base anti-vibrazione, 4 pezzi	Tappo di drenaggio, 2 pezzi	Scatola impermeabile, 1 pezzo
		
Copertura invernale, 1 pz	Tubi di drenaggio dell'acqua, 2 pz	Cavo di segnale da 10m, 1 pezzo

4.2 Accessori per l'installazione

	<p>Basi anti-vibrazione</p> <ol style="list-style-type: none">1. Estraete le 4 basi anti-vibrazione2. Inserirle una volta nella base dell'apparecchiatura.
---	--

		<p>Collegamento del tappo di drenaggio</p> <ol style="list-style-type: none"> 1. Installare il tappo di drenaggio sotto il pannello inferiore 2. Collegare un tubo per far fuoriuscire l'acqua. <p>Nota: Sollevare la pompa di calore per installare il tappo. Non ribaltare mai la pompa di calore, si potrebbe danneggiare il compressore.</p>
	<p>Entrata e uscita dell'acqua</p> <ol style="list-style-type: none"> 1. Installare i due giunti come mostrato nell'immagine 2. Avvitarli sulle prese dell'acqua (giunti di entrata e uscita) 	
	<p>Cablaggio</p> <ol style="list-style-type: none"> 1. Aprite il coperchio della morsetti (contrassegnata in rosso) sul lato dell'apparecchiatura 2. Collegare i cavi di alimentazione ai morsetti, come indicato nell'immagine 	
	<p>Cablaggio della pompa di filtrazione (Contatto privo di tensione)</p> <ol style="list-style-type: none"> 1. Aprite il coperchio della morsetti (contrassegnata in rosso) sul lato dell'apparecchiatura 2. Collegare i cavi del sistema di filtrazione ai morsetti, come indicato nell'immagine 	

4.3 Connection to the filtration pump

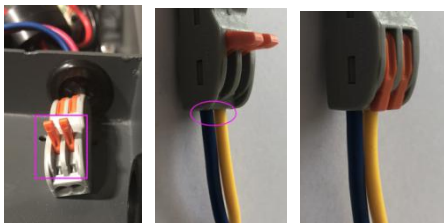
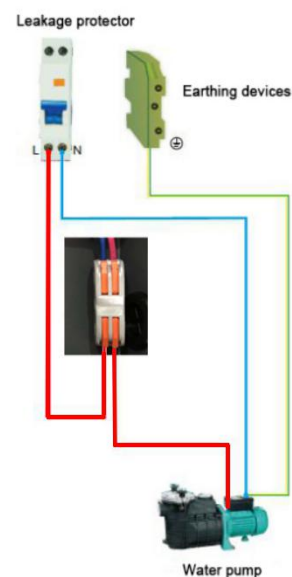


Foto 1

Foto 2

Foto 3

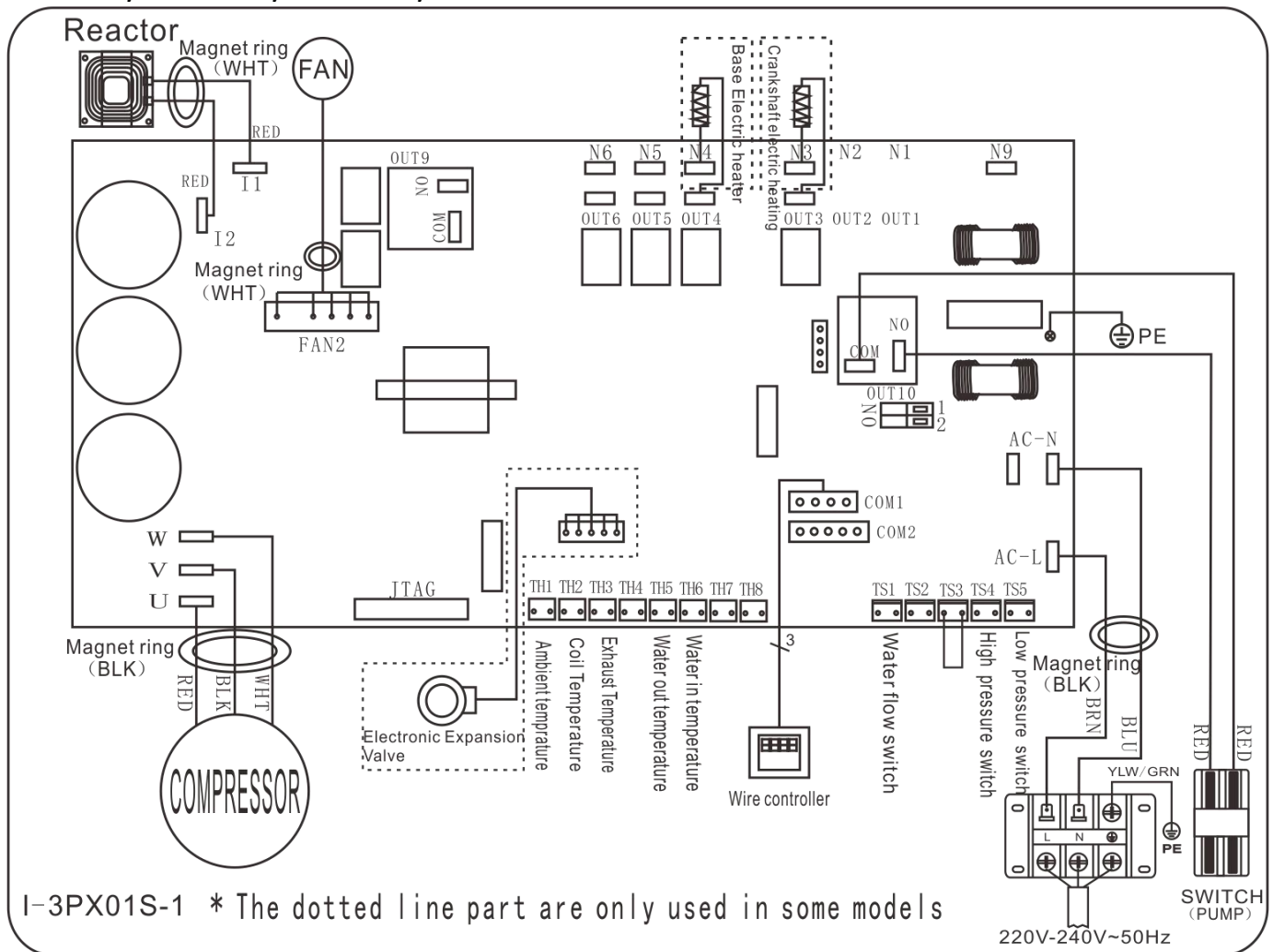
- Apri il pulsante in alto come (foto 1)
- Collegare il tubo di contatto secco attraverso i due fori come (Foto 2 & Foto 4)
- Premere il pulsante e stringere il cablaggio come (foto 3)



(foto 4)

5. Cablaggi elettrico

5.1 Schema elettrico di una pompa di calore inverter VSP-10 / VSP-12 / VSP-15 / VSP-17



NOTA:

- (1) Il diagramma di cablaggio elettrico sopra funge da riferimento, sottoporre la macchina al diagramma di cablaggio.
- (2) La pompa di calore della piscina deve essere collegata bene a terra, sebbene lo scambiatore di calore dell'unità sia elettricamente isolato dal resto dell'unità. La messa a terra dell'unità è ancora necessaria per proteggerti dai cortocircuiti all'interno dell'unità. È richiesto anche il legame.
- (3) Si consiglia di collegare la pompa di filtrazione della piscina e la pompa di calore in modo indipendente. Collegando la pompa della piscina alla pompa di calore, la filtrazione verrà disattivata una volta che l'acqua della piscina avrà raggiunto la temperatura. Collegare la pompa della piscina solo attraverso la pompa di calore se si dispone di una piscina pompa per solo riscaldamento indipendente dal sistema di filtrazione della vostra piscina.

Disconnetti: Un mezzo di scollegamento (interruttore di circuito, interruttore con fusibile o senza fusibile) deve essere posizionato in modo visibile e facilmente accessibile dall'unità. Questa è una pratica comune sulle pompe di calore commerciali e residenziali. Impedisce l'attivazione di apparecchiature non presidiate e consente di spegnere l'unità durante la manutenzione dell'unità.

5.2 Installazione del display

Foto(1)



Foto(2)



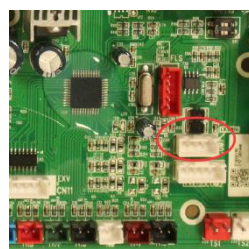
Foto(3)



Foto(4)



Foto(5)



- Il terminale con spina di collegamento con il pannello di controllo(foto 1)
- L' altro terminale del cavo di segnale(foto 2)
- Aprire il Coperchio scatola elettrica e farvi passare il cavo del display (foto 3, 4)
- Inserire il cablaggio nella posizione indicata (codice: COM 1 o COM-L) sulla scheda PC. (Photo5)


6. Funzionamento del controller





NOTA: Quando si collega la pompa di calore alla corrente, il display a LED mostra per 3 secondi un codice che indica il modello di pompa di calore.

6.1 Tasto



Premere  per avviare la pompa di calore, il display a LED mostra per 5 secondi la temperatura dell'acqua desiderata, quindi mostra la temperatura dell'acqua in entrata la modalità di funzionamento.

Premere  per arrestare la pompa di calore e mostrare "OFF"

Avvertenza: Nel corso della verifica e dell'impostazione dei parametri, premere il tasto  per uscire rapidamente e salvare le impostazioni correnti.

Premere nuovamente il tasto  per accendere/spegnere l'apparecchiatura.



6.2 Premere il tasto





e il tasto



Bloccare/Sbloccare il display:

Tenere premuti per 5 secondi il tasto  e il tasto  per bloccare/sbloccare il display.

Regolazione della temperatura dell'acqua:

Premere il tasto  o il tasto  per regolare direttamente la temperatura dell'acqua.

Temp. Acqua intervallo di impostazione in modalità Riscaldamento: 6-41 °C.

6.3 Tasto



Verifica dei parametri:

Premere prima il tasto  e poi premere il tasto  per verificare il parametro Utente da d0 a d11

Codice	Condizione	Portata	Commento
d0	IPM temperatura dello stampo	0-120 °C	Valore di test
d1	Temperatura dell'acqua in entrata T1	-9 °C ~ 99 °C	Valore di test
d2	Temperatura dell'acqua in uscita T2	-9 °C ~ 99 °C	Valore di test
d3	Temperatura ambiente T5	-30 °C ~ 70 °C	Valore di test
d4	Codice di limitazione della frequenza	0,1,2,4,8,16	Valore di test
d5	Temperatura evaporatore T3	-30 °C ~ 70 °C	Valore di test
d6	Temperatura scarico gas T6	0 °C ~ C5 °C (125 °C)	Valore di test
d7	Passaggio di EEV	0 ~ 99	N*5
d8	Frequenza del funzionamento del	0 ~ 99Hz	Valore di test
d9	Corrente del compressore	0 ~ 30A	Valore di test
d10	Velocità nominale delle ventola	0-1200 (rpm)	Valore di test
d11	Codice errore ultima volta	Tutto il codice di errore	

Premere prima il tasto



quindi il tasto



per controllare/regolare il parametro Utente da P0 a P7

Codice	Nome	Portata	Default	Commento
P0	Sbrinamento obbligatorio	0-1	0	0: Funzionamento normale di default 1: sbrinamento obbligatorio.
P1	Modalità di funzionamento	1	1	1: Modalità riscaldamento,
P2	Timer acceso/spento	0-1	0	1 il timer acceso/spento è in funzionamento, 0 il timer acceso/spento non è in funzione (l'impostazione P5 e P6 non funzionerà)
P3	Pompa	0-1	0	1: sempre in funzionamento;

	dell'acqua			0:dipende dal funzionamento del compressore
P4	Ora attuale	HH:MM	0:00	<u>0-23:0-59</u>
P5	Timer attivato	HH:MM	0:00	<u>0-23:0-59</u>
P6	Timer disattivato	HH:MM	0:00	<u>0-23:0-59</u>
P7	Calibrazione temp acqua	-9~9	0	Impostazione di default: 0

6.4 Priorità di riscaldamento , opzione di collegamento

La pompa di filtrazione inizia 60 secondi prima del compressore, la pompa di filtrazione inizia 30 secondi e quindi il flussostato dell'acqua rileva il flusso. Prima che la pompa di calore entri in modalità Standby, il compressore si arresta per primo e dopo 5 minuti si arresta la pompa di filtrazione.

	Condizione	Esempio	Logica di funzionamento della pompa dell'acqua	
Modalità riscaldamento	P3=0, T1≥Tset-0.5 °C, durata di 30 minuti	P3=0, T1≥27.5 °C, durata di 30 minuti	1. Quindi entra in modalità standby per 1 ora (non si riavvierà se non accendendolo manualmente).	2. Dopo 1 ora, la pompa di filtrazione si riavvierà per 5 minuti. Se T1≤27 °C, la pompa di calore inizierà a funzionare fino a T1≥27.5 °C e durerà per 30 minuti per andare in standby

Opzione 2; P3 = 1 La pompa di filtrazione è sempre attiva, P2 = 0 la funzione timer non è attiva

Nella condizione P3 = 1, quando T1≥Tset + 1 °C (T1≥29 °C) dura 3 minuti, la pompa di calore sarà in standby, mentre la pompa di filtrazione è sempre accesa.

Nell'opzione 2, con l'attivazione del timer; P2 = 1 per avviare e arrestare la pompa di filtrazione secondo la programmazione di P4 (tempo), P5 (timer ON) e P6 (timer OFF)

Se la pompa di calore viene accesa / spenta manualmente, la pompa di filtrazione si avvia e si arresta di conseguenza.

Condizioni per l'avvio della pompa di calore, il timer ON agisce;

Quando il timer raggiunge il tempo impostato di TIMER ON, la pompa di filtrazione si avvia e dopo 5 minuti si avvia la pompa di calore. La pompa di calore rimane ferma se l'acqua in temperatura è ≥ Tset + 1 °C, prima che il TIMER sia SPENTO, la filtrazione è ancora attivata.

Condizione per arrestare la pompa di calore, il timer OFF agisce;

Quando il timer raggiunge il tempo impostato di TIMER OFF, la pompa di calore si arresta e dopo 5 minuti la pompa di filtrazione si arresta.

Nota; Simbolo dell'accensione automatica del TIMER  , la luce sarà accesa quando è in funzione, simbolo

dell'arresto automatico del TIMER  , la luce sarà accesa quando è in funzione. Al di fuori del

funzionamento del tempo, il display sarà avvisato da spento.

Se la pompa di calore è accesa/spenta manualmente, la pompa di filtraggio si avvia e si ferma di conseguenza.

NOTA:



Tset = Temperatura dell'acqua impostata

Per esempio: Tset = 28°C Temperatura impostata dell'acqua nella pompa di calore della piscina

Tset-0.5 = 0.5°C in meno rispetto alla temperatura impostata. Tset- 0.5 = 28-0.5=27.5°C

Tset+0.5=0.5°C in più rispetto alla temperatura impostata. Tset+ 0.5 = 28+0.5=28.5°C

6.5 Funzione di reset del sistema

Premere il tasto  e il tasto  per 10 secondi, il sistema di resetterà e comparirà "0000" sul controller.



Simbolo di riscaldamento, la luce si accenderà quando è in funzionamento.

Quando è in fase di sbrinamento, la luce lampeggerà.



Simbolo di arresto automatico, la luce si accenderà quando è in funzionamento.



Simbolo di avvio automatico, la luce si accenderà quando è in funzionamento.



Premere questo tasto, la luce lampeggerà, la pompa di calore funzionerà solo in modalità 'Full output'.



In modalità **Smart**, la pompa di calore funzionerà solo in modalità 'Medium output' e 'Full output'

Quando è in modalità 'Medium output', la spia Smart lampeggia.

Quando è in modalità 'Full output', la spia Smart è accesa, e mentre la spia Powerful lampeggia.



In modalità **Silent**, la pompa di calore funzionerà solo in modalità 'Medium output' e 'Small output'

Quando è in modalità 'Small output', la spia Silent lampeggia.

Quando è in modalità 'Medium output', la spia Silent è accesa, mentre la spia Smart lampeggia.

7. Risoluzione dei problemi

7.1 Visualizzazione del codice di errore sul controller LED

Problema	Codice	Causa	Soluzione
Errore della sonda di temperatura dell'acqua in entrata d1-TH6	PP01	1. Sonda in circuito aperto o in corto circuito 2. Il cablaggio della sonda è allentato	1. Verificare o sostituire la sonda 2. Riparare il cablaggio delle sonde
Errore della sonda di temperatura dell'acqua in uscita d2-TH5	PP02	1. Sonda in circuito aperto o in corto circuito 2. Il cablaggio della sonda è allentato	1. Verificare o sostituire la sonda 2. Riparare il cablaggio delle sonde
Errore della sonda dell'evaporatore d5-TH2	PP03	1. Sonda in circuito aperto o in corto circuito 2. Il cablaggio della sonda è allentato	1. Verificare o sostituire la sonda 2. Riparare il cablaggio delle sonde
Errore della sonda di temperatura ambiente d3-TH1	PP05	1. Sonda in circuito aperto o in corto circuito 2. Il cablaggio della sonda è allentato	1. Verificare o sostituire la sonda 2. Riparare il cablaggio delle sonde

Errore della sonda di tuberia di aspirazione del compressore d6-TH3	PP06	1. Sonda in circuito aperto o in corto circuito 2. Il cablaggio della sonda è allentato	1. Verificare o sostituire la sonda 2. Riparare il cablaggio delle sonde
Protezione antigelo in inverno	PP07	La temperatura ambiente o dell'acqua in entrata è troppo bassa	Protezione normale
Protezione per bassa temperatura ambiente	PP08	1. L'ambiente è al di fuori dell'ambito di uso 2. Anomalia della sonda	1. Smettere di utilizzare fuori dall'ambito di uso 2. Sostituire la sonda.
Errore di alta pressione TS4	EE01	1. La temperatura ambiente è troppo alta il mini-pressostato di alta pressione non è ben collegato o è guasto. 2. La temperatura dell'acqua è troppo alta 3. La portata dell'acqua è insufficiente. 4. La velocità della ventola è anomala o il motoventilatore ha subito dei danni	1. Verificare il cablaggio del mini-pressostato di alta pressione o sostituirlo. 2. Controllare il motoventilatore 3. Verificare e riparare il sistema di tubazioni

Problema	Codice	Causa	Soluzione
Errore di bassa pressione TS5	EE02	1. Il mini-pressostato di bassa pressione non è ben collegato o è guasto. si è bloccato o il sistema di tubazioni è otturato 2. La velocità del motore è anomala o il motore è danneggiato 3. Fuga di gas	1. Verificare l'EEV e il sistema di tubazioni Verificare il motore 2. Attraverso il manometro di alta pressione per verificare il valore della pressione 3. Verificare il sistema refrigerante
Errore nella portata dell'acqua TS1	EE03 Or "ON"	1. Il flussostato dell'acqua non è ben collegato o è danneggiato 2. Portata dell'acqua assente/insufficiente. 3. Interruttore di flusso montato in modo scorretto.	1. Verificare il cablaggio del flussostato dell'acqua o sostituirlo 2. Verificare la pompa di filtrazione o il circuito dell'acqua 3. Controllare la posizione del commutatore di flusso in base alla
Protezione da surriscaldamento della la temperatura dell'acqua (d2-TH5) in modalità riscaldamento	EE04	1. Portata dell'acqua ridotta 2. Il flussostato dell'acqua è bloccato e la fornitura d'acqua è stata interrotta 3. Anomalia della sonda d2-TH5	1. Verificare il circuito dell'acqua 2. Controllare la pompa di filtrazione o il flussostato dell'acqua 3. Controllare la sonda d2-TH5 o sostituirla
Temperatura di scarico del compressore troppo alta d6-TH3	EE05	1. Mancanza di gas 2. Portata dell'acqua ridotta 3. Il sistema di tubazioni è bloccato 4. Guasto della sonda d6-TH3	1. Controllare il manometro di alta pressione, se ha un livello insufficiente aggiungere gas 2. Verificare il circuito dell'acqua e la pompa di filtrazione 3. Verificare il sistema di tubazioni per vedere se esistono ostruzioni 4. Sostituire la sonda d6-TH3

Errore del controller	EE06	<ol style="list-style-type: none"> 1. La connessione del cavo non è corretta, o il cavo di segnale è danneggiato 2. Guasto del controller 	<ol style="list-style-type: none"> 1. Controllare e ricollegare il cavo di segnale 2. Sostituire il cavo di segnale 3. Interrompere l'alimentazione e riavviare la pompa 4. Sostituire il controller
Protezione del consumo del compressore	EE07	<ol style="list-style-type: none"> 1. La corrente del compressore è eccessiva istantaneamente 2. Connessione errata per la sequenza di fase del compressore 3. Accumuli di liquidi e olio nel compressore fanno aumentare la corrente 4. Compressore o scheda madre danneggiati 5. Portata dell'acqua anomala 6. Fluttuazioni di corrente in poco tempo 	<ol style="list-style-type: none"> 1. Verificare il compressore e le fasi. 2. Verificare che la potenza sia nella norma 3. Verificare il collegamento della sequenza di fase 4. Verificare il circuito dell'acqua dell'acqua e la pompa di filtrazione 5. Verificare la principale fonte di energia

Problema	Codice	Causa	Soluzione
Errore di comunicazione tra il controller e la scheda principale	EE08	<ol style="list-style-type: none"> 1. Collegamento del cavo di segnale debole o cavo di segnale danneggiato 2. Guasto del controller 	<ol style="list-style-type: none"> 1. Controllare e ricollegare il cavo di segnale 2. Sostituire il cavo di segnale 3. Interrompere l'alimentazione elettrica e riavviare la pompa 4. Sostituire il controller
Errore di comunicazione tra la scheda principale e la scheda del driver	EE09	<ol style="list-style-type: none"> 1. Collegamento del cavo di comunicazioni debole 2. Il cavo è danneggiato 	<ol style="list-style-type: none"> 1. Verificare il collegamento del cavo 2. Sostituire il cavo
Protezione VDC. Tensione eccessiva	EE10	<ol style="list-style-type: none"> 1. La tensione della linea della scheda madre è troppo alta 2. Il controller è danneggiato 	<ol style="list-style-type: none"> 1. Verificare che la potenza rientri nell'intervallo normale 2. Sostituire il controller
Protezione modulo IPM	EE11	<ol style="list-style-type: none"> 1. Errore di dati 2. Errata connessione di fase del compressore 3. Un accumulo di liquidi o olio nel compressore fanno aumentare la corrente 4. Compressore o controller danneggiati 	<ol style="list-style-type: none"> 1. Errore di programma, spegnere l'alimentazione e riavviare dopo 3 minuti 2. Verificare la connessione di sequenza del compressore 3. Controllare la pressione del sistema tramite manometro 4. Controllare se la temperatura ambiente e dell'acqua sono troppo alte 5. Cambia una nuova scheda

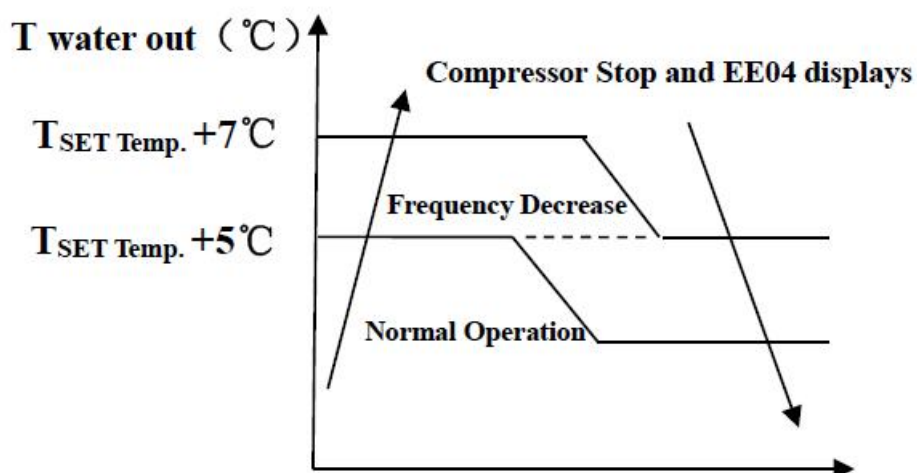
Protezione di bassa tensione di VDC	EE12	<ol style="list-style-type: none"> 1. La tensione della tensione madre è troppo bassa 2. Il controller è danneggiato 	<ol style="list-style-type: none"> 1. Verificare se la potenza rientra nell'intervallo normale 2. Sostituire la scheda di controllo
Protezione contro sovrintensità	EE13	<ol style="list-style-type: none"> 1. La corrente del compressore è momentaneamente eccessiva 2. Anomalia nella portata dell'acqua 3. Fluttuazione di energia in poco tempo 4. Errato induttore PFC 	<ol style="list-style-type: none"> 1. Verificare il compressore 2. Verificare il sistema di tubazioni 3. Verificare che la potenza rientri nell'intervallo normale 4. Verificare che si stia utilizzando l'induttore PFC corretto
Errore di uscita del circuito di rilevamento della temperatura del modulo IPM	EE14	<ol style="list-style-type: none"> 1. Uscita fuori dalla norma del circuito termico del modulo IPM 2. Anomalia o guasto del motoventilatore 3. Pala della ventola rotta 	<ol style="list-style-type: none"> 1. Sostituire il controller 2. Verificare se la velocità del motore è troppo bassa e se il motoventilatore è danneggiato, eventualmente sostituirlo 3. Sostituire la pala della ventola 4. Verificare la tensione di ingresso
Protezione della temperatura alta del modulo IPM	EE15	<ol style="list-style-type: none"> 1. Eccezione di uscita del circuito termico del modulo IPM 2. Il motore è anormale o danneggiato 3. Pala della ventola rotta 	<ol style="list-style-type: none"> 1. Sostituire il controller 2. Verificare se la velocità del motore del ventilatore è insufficiente o se il motoventilatore è danneggiato, sostituirlo 3. Sostituire la pala della ventola
Protezione del modulo PFC	EE16	<ol style="list-style-type: none"> 1. Eccezione di uscita del modulo PFC 2. Anomalia o danno del motore 3. La pala della ventola rotta 4. Salto nel voltaggio di ingresso, anomalia della potenza di ingresso 	<ol style="list-style-type: none"> 1. Sostituire il controller 2. Verificare se la velocità del motore è insufficiente o il motoventilatore è danneggiato, eventualmente sostituirlo 3. Sostituire la pala della ventola 4. Verificare la tensione di ingresso
Guasto motore ventilatore DC	EE17	<ol style="list-style-type: none"> 1. Il motore CC è danneggiato 2. Per la macchina trifase, verificare se il neutro è collegato 3. La scheda madre è danneggiata 4. La pala della ventola è bloccata 	<ol style="list-style-type: none"> 1. Individuare il motore DC e sostituirlo 2. Controllare il collegamento del cablaggio per la macchina trifase 2. Controllare la scheda, sostituire una nuova scheda del driver del motore del ventilatore o la scheda principale in caso di guasto 3. Individuare l'ostacolo ed eliminarlo

Anomalia nel funzionamento del modulo PFC	EE18	La scheda di controllo è danneggiata	1.Sostituire il controller 2. Verificare se la velocità del motore del ventilatore è insufficiente o il motoventilatore è danneggiato, eventualmente sostituirlo
Errore per alta temperatura del modulo PFC	EE19	1. Anomalia nell'uscita del circuito termico del modulo PFC 2. Anomalia o danno nel motore 3. Pala della ventola rotta 4. Vite della scheda di controllo allenata	1. Sostituire il controller 2. Controllare se la velocità del motore è troppo bassa o il motore del ventilatore è danneggiato, eventualmente sostituirlo 3. Sostituire la pala della ventola 4. Verificare che la vite non sia allenata
Errore nell'alimentazione di ingresso	EE20	Il voltaggio della sorgente di alimentazione oscilla eccessivamente	Verificare la stabilità del voltaggio
Problema	Codice	Causa	Soluzione
Errore nel controllo del software	EE21	1. Il compressore va fuori giri 2. Programma errato 3. Delle impurità all'interno del compressore causano una velocità di rotazione instabile	1. Verificare o sostituire il controller 2. Inserire il programma corretto
Errore di circuito nel rilevamento della corrente	EE22	1. Segnale di tensione anomalo 2. Controller danneggiato 3. Errore della scheda madre	1. Verificare o sostituire il controller 2. Cambia una nuova scheda driver
Errore all'avvio del compressore	EE23	1. Il controller è danneggiato 2. Errore nel cablaggio del compressore , scarso contatto o mancato collegamento 3. Accumulo di liquido all'interno 4. Errata connessione di fase per il compressore	1. Verificare o sostituire il controller 2. Verificare il cablaggio del compressore secondo lo schema elettrico 3. Controllare il compressore o sostituirlo

	EE24	Errore del dispositivo di temperatura ambiente	Sostituire la scheda del controller o la scheda principale
Errore nella fase del compressore	EE25	Connessione scadente delle fasi U,V e W	Verificare l'attuale cablaggio confrontandolo con lo schema elettrico
Errore di lettura dei dati sulla EEPROM	EE27	1. Dati EEPROM errati nel programma o errore di inserimento dei dati EEPROM 2. Errore della scheda principale	1. Inserire i dati corretti EEPROM 2. Sostituire il controller
Errore di comunicazione nel chip interno della scheda elettronica	EE28	Errore della scheda principale	1. Spegnerne l'alimentazione elettrica e riavviare 2. Sostituire la scheda principale

Osservazioni:

In modalità riscaldamento, se la temperatura dell'acqua in uscita è superiore alla temperatura impostata superiore a 7 °C, il controller LED visualizza EE04 per la protezione dal surriscaldamento dell'acqua.



EE04 Protezione da surriscaldamento dell'acqua in uscita

Per un esempio si veda a seguire:

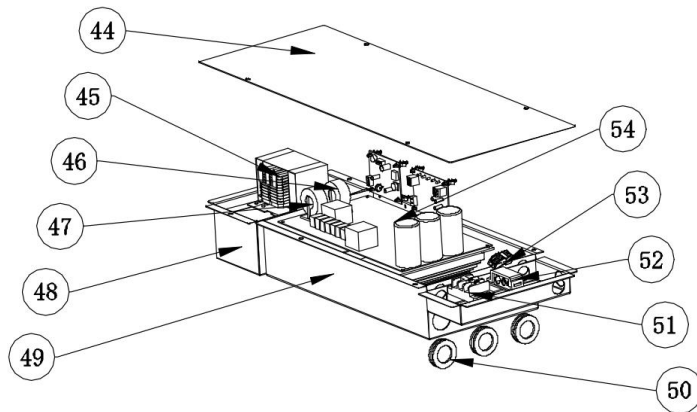
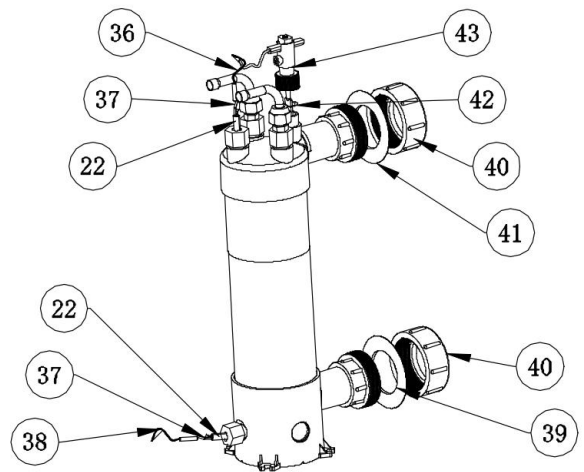
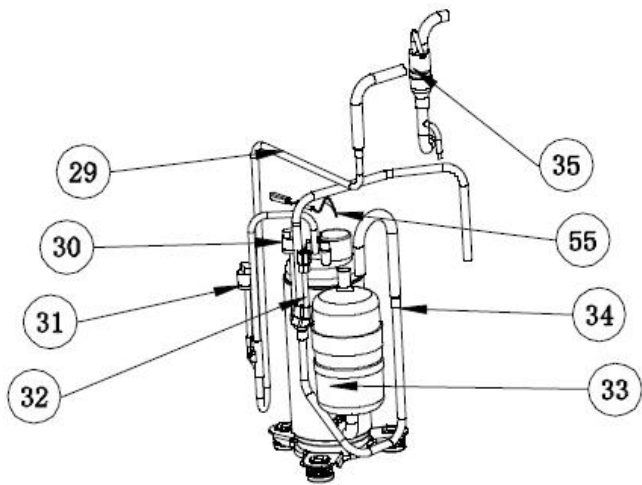
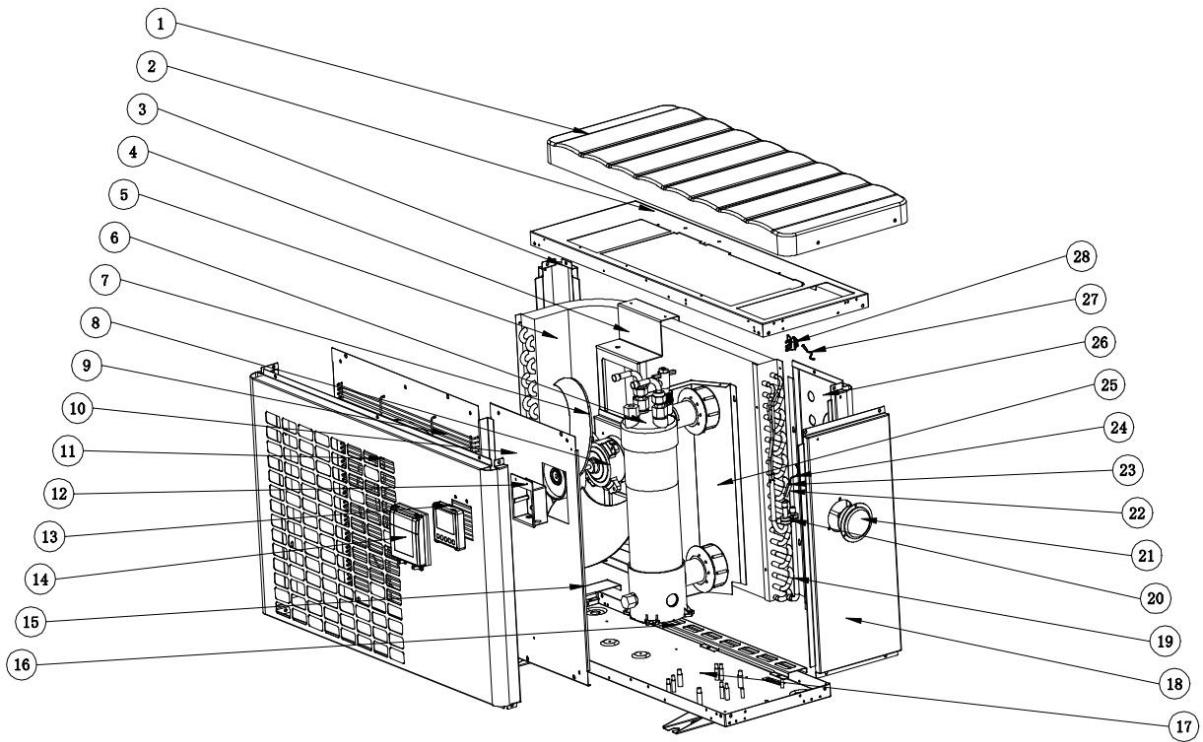
Modalità	Temperatura acqua in uscita	Impostazione temperatura	Condizione	Errore
Modalità riscaldamento	36°C	29°C	$T_{out} - T_{set} \geq 7^{\circ}\text{C}$	EE04 Protezione da surriscaldamento per temperatura dell'acqua (d2-TH5)

7.2 Altri guasti e soluzioni (non viene mostrato nulla sul controller LED)

Problema	Descrizione	Causa	Soluzione
Pompa di calore non funzionante	Non viene mostrato nulla sul controller LED	Nessuna alimentazione	Verificare che il cavo e l'interruttore siano collegati
	Il controller LED mostra il tempo attuale.	Pompa di calore in modalità stand-by	Avviare la pompa di calore per metterla in funzione
	Il controller LED mostra l'attuale temperatura dell'acqua.	<ol style="list-style-type: none"> 1. La temperatura dell'acqua sta raggiungendo il valore impostato, pompa di calore in modalità di temperatura costante. 2. La pompa di calore ha appena iniziato a funzionare. 3. In fase di sbrinamento. 	<ol style="list-style-type: none"> 1. Verificare l'impostazione della temperatura dell'acqua. 2. Avviare la pompa di calore dopo alcuni minuti. 3. Il controller LED deve mostrare "Sbrinamento".
Breve funzionamento	Il controller LED mostra l'attuale temperatura dell'acqua, non appare il codice di errore	<ol style="list-style-type: none"> 1. Ventilatore NON funzionante. 2. La ventilazione dell'aria non è sufficiente. 3. Il refrigerante non è sufficiente. 	<ol style="list-style-type: none"> 1. Verificare le connessioni dei cavi tra motore e ventilatore, se necessario, sostituire. 2. Verificare la posizione pompa di calore, ed eliminare tutti gli ostacoli che impediscono una buona circolazione dell'aria. 3 Sostituire o riparare pompa di calore.
Macchie di acqua	Macchie d'acqua sulla pompa di calore	<ol style="list-style-type: none"> 1. Protezione. 2. Perdita d'acqua. 	<ol style="list-style-type: none"> 1. Nessuna azione. 2. Controllare con attenzione lo scambiatore di calore in titanio per escludere eventuali fughe
Eccesso di ghiaccio nell'evaporatore	Eccesso di ghiaccio nell'evaporatore		<ol style="list-style-type: none"> 1. Verificare la posizione della pompa di calore, ed eliminare tutti gli ostacoli che impediscono una buona circolazione dell'aria. 2. Sostituire o riparare la pompa di calore.

8. Esploso e manutenzione

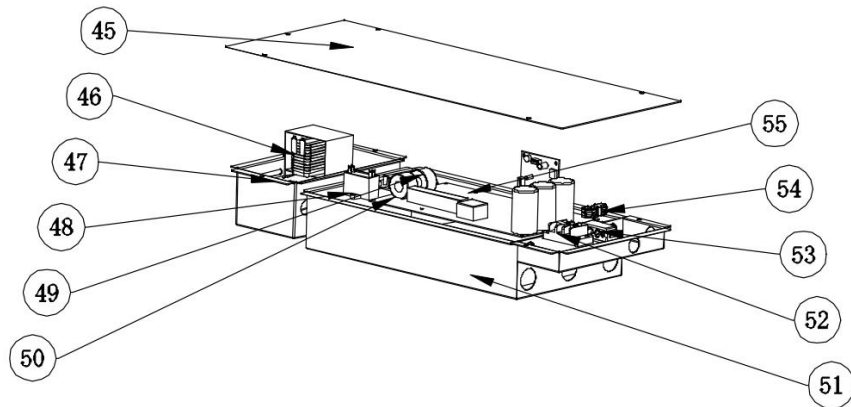
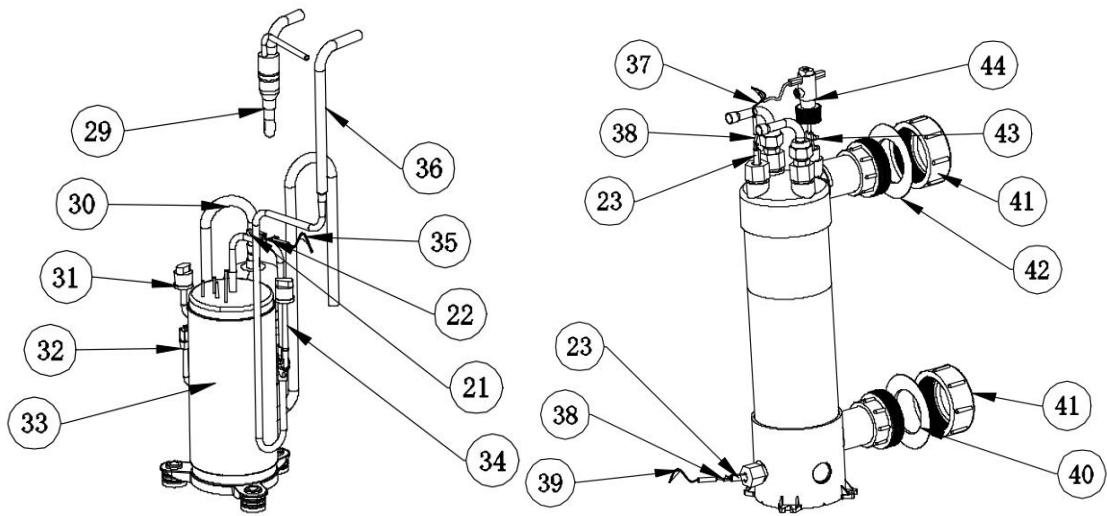
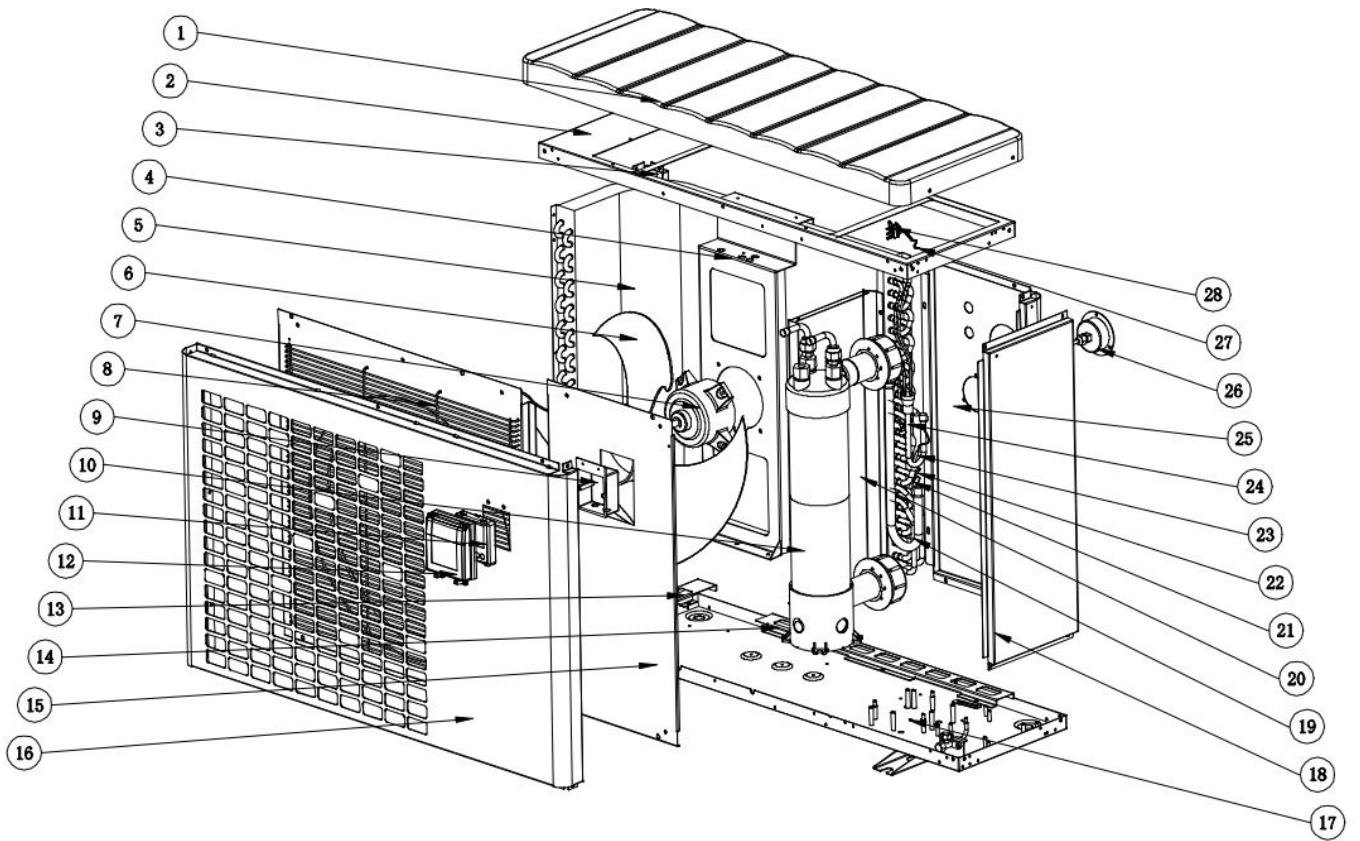
8.1 Modello : VSP-10



Spare parts list: VSP-10

NO	ERP	Spare parts	NO	ERP	Spare parts
1	133340015	Coperchio superiore	29	113020611	Tubo di scarico
2	108830029	Telaio superiore	30	112100046	Mini-pressostato di bassa pressione
3	108830055	Colonna	31	112100030	Mini-pressostato di altra pressione
4	108830006	Supporto motoventilatore	32	120000098	Valvola di aspirazione
5	103000271	Evaporatore	33	101000221	Compressore + basi anti-vibrazioni
6	102040856	Scambiatore di calore in titanio	34	113020565	Tubi di ritorno gas
7	113600007	Pala del ventilatore	35	113090091	Scambiatore a capillare
8	112000041	Motoventilatore	36	117110012	Sonda temperatura acqua entrata TH6
9	108830057	Assemblaggio del pannello frontale	37	108010025	Clip sonda di temperatura dello scambiatore
10	108830024	Pannello di manutenzione	38	117110011	Sonda temperatura acqua in uscita TH5
11	108830060	Pannello frontale	39	133020011	Anello gomma blu
12	133030011	Scatola del controller	40	113900082	Set collegamento dell'acqua
13	117020244	controller	41	133020012	Guarnizione di gomma rossa
14	113712007	Coperchio del controller	42	133020026	Guarnizione di gomma su collegamento per l'acqua
15	108830004	Tampone evaporatore	43	112100021-1	Flussostato dell'acqua
16	108830005	Tampone evaporatore	44	108830031	Coperchio scatola elettrica
17	108830017	Vaschetta base	45	117230003	Reattore
18	108830059	Pannello destro	46	117240002	Anello magnetico
19	103000271	Tubi evaporatore	47	117240003	Anello magnetico
20	136020018	Bloccogomma	48	108830026	Scatola reattore
21	106000011	Manometro	49	108830030	Scatola elettrica
22	113190001	Clip	50	136020119	Guarnizione di gomma
23	113190007	Sede sonda	51	115000002	Morsetti di connessione
24	117110004	Sonda evaporatore TH2	52	136010004	Clip per cavo di connessione
25	108830003	Pannello isolante	53	115000060	Morsetti di connessione
26	108830056	Pannello posteriore	54	117100069	PCB
27	117110020	Sonda temp. ambiente TH1	55	117110021	Sonda di temperatura scarico TH3
28	133020010	Clip sonda temp. ambiente			

Model: VSP-12 / VSP-15 / VSP-17



Spare parts list: VSP-12

NO	ERP	Spare parts	NO	ERP	Spare parts
1	133300019	Coperchio superiore	29	113090087	Scambiatore a capillare
2	108790071	Telaio superiore	30	113020544	Tubi di ritorno gas
3	108790107	Colonna	31	112100046	Mini-pressostato di bassa pressione
4	108790027	Supporto motoventilatore	32	120000097	Valvola di aspirazione
5	103000283	Evaporatore	33	101000222	Compressore + basi anti-vibrazioni
6	132000015	Pala del ventilatore	34	112100030	Mini-pressostato di altra pressione
7	112000031	Motoventilatore	35	117110021	Sonda di temperatura scarico d6-TH3
8	108790127	Assemblaggio del pannello frontale	36	113010392	Tubo di scarico
9	133030011	Scatola del controller	37	117110012	Sonda temperatura acqua entrata d1-TH6
10	102040861	Scambiatore di calore in titanio	38	108010025	Clip sonda di temperatura dello scambiatore
11	117020244	controller	39	117110011	Sonda temperatura acqua in uscita d2-TH5
12	113712007	Coperchio del controller	40	133020011	Anello gomma blu
13	108790025	Tampone evaporatore	41	113900082	Set collegamento dell'acqua
14	108790026	Tampone evaporatore	42	133020012	Guarnizione di gomma rossa
15	108790081	Pannello di manutenzione	43	133020026	Guarnizione di gomma su collegamento per l'acqua
16	108790106	Pannello frontale	44	112100021-1	Flussostato dell'acqua
17	108790101	Vaschetta base	45	108790072	Coperchio scatola elettrica
18	108790109	Pannello destro	46	117230003	Reattore
19	103000283	Tubi evaporatore	47	108790073	Scatola reattore
20	108790024	Pannello isolante	48	111000006	Condensatore ventola
21	113190001	Clip	49	117240002	Anello magnetico
22	113190007	Sede sonda	50	117240003	Anello magnetico
23	117110004	Sonda evaporatore d5-TH2	51	108790075	Scatola reattore
24	103000283	Tubazioni di distribuzione	52	115000002	Morsetti di connessione
25	108790108	Pannello posteriore	53	136010004	Clip per cavo di connessione
26	106000011	Manometro	54	115000060	Morsetti di connessione
27	117110020	Sonda temp. ambiente d3-TH1	55	117100069	PCB
28	133020010	Clip sonda temp. ambiente			

Spare parts list: VSP-15

NO	ERP	Spare parts	NO	ERP	Spare parts
1	133300019	Coperchio superiore	29	113090087	Scambiatore a capillare
2	108790071	Telaio superiore	30	113020544	Tubi di ritorno gas
3	108790107	Colonna	31	112100046	Mini-pressostato di bassa pressione
4	108790027	Supporto motoventilatore	32	120000097	Valvola di aspirazione
5	103000290	Evaporatore	33	101000222	Compressore + basi anti-vibrazioni
6	132000015	Pala del ventilatore	34	112100030	Mini-pressostato di altra pressione
7	112000031	Motoventilatore	35	117110021	Sonda di temperatura scarico d6-TH3
8	108790127	Assemblaggio del pannello frontale	36	113010392	Tubo di scarico
9	133030011	Scatola del controller	37	117110012	Sonda temperatura acqua entrata d1-TH6
10	102040865	Scambiatore di calore in titanio	38	108010025	Clip sonda di temperatura dello scambiatore
11	117020244	controller	39	117110011	Sonda temperatura acqua in uscita d2-TH5
12	113712007	Coperchio del controller	40	133020011	Anello gomma blu
13	108790025	Tampone evaporatore	41	113900082	Set collegamento dell'acqua
14	108790026	Tampone evaporatore	42	133020012	Guarnizione di gomma rossa
15	108790081	Pannello di manutenzione	43	133020026	Guarnizione di gomma su collegamento per l'acqua
16	108790106	Pannello frontale	44	112100021-1	Flussostato dell'acqua
17	108790101	Vaschetta base	45	108790072	Coperchio scatola elettrica
18	108790109	Pannello destro	46	117230003	Reattore
19	103000290	Tubi evaporatore	47	108790073	Scatola reattore
20	108790024	Pannello isolante	48	111000006	Condensatore ventola
21	113190001	Clip	49	117240002	Anello magnetico
22	113190007	Sede sonda	50	117240003	Anello magnetico
23	117110004	Sonda evaporatore d5-TH2	51	108790074	Scatola reattore
24	103000290	Tubazioni di distribuzione	52	115000002	Morsetti di connessione
25	108790108	Pannello posteriore	53	136010004	Clip per cavo di connessione
26	106000011	Manometro	54	115000060	Morsetti di connessione
27	117110020	Sonda temp. ambiente d3-TH1	55	117100065	PCB
28	133020010	Clip sonda temp. ambiente			

Spare parts list: VSP-17

NO	ERP	Spare parts	NO	ERP	Spare parts
1	133300019	Coperchio superiore	29	113090087	Scambiatore a capillare
2	108790071	Telaio superiore	30	113020581	Tubi di ritorno gas
3	108790107	Colonna	31	112100046	Mini-pressostato di bassa pressione
4	108790027	Supporto motoventilatore	32	120000097	Valvola di aspirazione
5	103000291	Evaporatore	33	101000181	Compressore + basi anti-vibrazioni
6	132000015	Pala del ventilatore	34	112100030	Mini-pressostato di altra pressione
7	112000031	Motoventilatore	35	117110021	Sonda di temperatura scarico d6-TH3
8	108790127	Assemblaggio del pannello frontale	36	113020625	Tubo di scarico
9	133030011	Scatola del controller	37	117110012	Sonda temperatura acqua entrata d1-TH6
10	102040999	Scambiatore di calore in titanio	38	108010025	Clip sonda di temperatura dello scambiatore
11	117020244	controller	39	117110011	Sonda temperatura acqua in uscita d2-TH5
12	133020061	Coperchio del controller	40	133020011	Anello gomma blu
13	108790025	Tampone evaporatore	41	102050004	Set collegamento dell'acqua
14	108790026	Tampone evaporatore	42	133020012	Guarnizione di gomma rossa
15	108790081	Pannello di manutenzione	43	133020026	Guarnizione di gomma su collegamento per l'acqua
16	108790106	Pannello frontale	44	112100021-1	Flussostato dell'acqua
17	108790093	Vaschetta base	45	108790072	Coperchio scatola elettrica
18	108790109	Pannello destro	46	117230003	Reattore
19	103000291	Tubi evaporatore	47	108790073	Scatola reattore
20	108790024	Pannello isolante	48	111000006	Condensatore ventola
21	113190001	Clip	49	117240002	Anello magnetico
22	113190007	Sede sonda	50	117240003	Anello magnetico
23	117110004	Sonda evaporatore d5-TH2	51	108790074	Scatola reattore
24	103000291	Tubazioni di distribuzione	52	115000002	Morsetti di connessione
25	108790108	Pannello posteriore	53	136010004	Clip per cavo di connessione
26	106000011	Manometro	54	115000060	Morsetti di connessione
27	117110020	Sonda temp. ambiente d3-TH1	55	117100065	PCB
28	133020010	Clip sonda temp. ambiente			

9. Manutenzione

Avvertimento !

-Prima di qualsiasi intervento di manutenzione sull'elettrodomestico, è necessario interrompere l'alimentazione elettrica poiché esiste il rischio di scosse elettriche che possono causare danni materiali, lesioni gravi o addirittura la morte.

- Si consiglia di sottoporre l'apparecchiatura a una manutenzione generale almeno annuale per garantirne il corretto funzionamento, mantenerne le prestazioni ed evitare possibili guasti, queste operazioni vengono eseguite a spese dell'utente, da un tecnico qualificato. eseguito da un tecnico qualificato.

-per la manutenzione che deve essere eseguita da un tecnico qualificato, si prega di leggere le istruzioni di sicurezza nelle pagine precedenti riportate nel capitolo "manutenzione: avvertenze riguardanti apparecchi contenenti refrigerante R32" prima di eseguire una qualsiasi delle operazioni di manutenzione descritte di seguito.

(1) Controllare con regolarità il sistema di erogazione dell'acqua per evitare che entri aria nel sistema con una conseguente riduzione della portata dell'acqua, Tali guasti comprometterebbero la performance e l'affidabilità della pompa di calore.

(2) Pulire con regolarità le piscine e i sistemi filtranti per evitare di causare danni all'unità dovuti alla sporcizia presente nell'impianto di filtrazione.

(3) Solo un tecnico qualificato è autorizzato a intervenire sulla pressione del sistema di refrigerazione.

(4) Verificare la connessione del cavo di potenza. Se la pompa di calore inizia a funzionare in maniera anomala, spegnerla e contattare un tecnico qualificato.

(5) Svotare sempre l'acqua presente nella pompa di calore quando la medesima rimane ferma, ovvero in inverno o quando la temperatura ambiente scende sotto lo 0°C. Altrimenti, si corre il rischio di congelamento nello scambiatore in titanio con un conseguente annullamento della garanzia.

(6) Si prega di svotare sempre l'acqua della pompa di calore durante il periodo invernale o quando la temperatura ambiente scende al di sotto di 0 °C, altrimenti lo scambiatore in Titanio verrà danneggiato a causa del congelamento, in tal caso la garanzia verrà persa.

VSP INVERTER +7°C

Gebruik en Onderhoud gebruiksaanwijzing

INDEX

1. Specificaties
2. Afmetingen
3. Installatie en aansluiting
4. Accessoires
5. Elektrisch schema
6. Scherm controle bediening
7. Problemen
8. Open geklapt diagram
9. Onderhoud

Bedankt voor het gebruik van onze zwembad warmtepomp voor het verwarmen van uw zwembad, het zal uw zwembadwater verwarmen en het op een constante temperatuur houden wanneer de omgevingstemperatuur +7 to 43°C.



LET OP: Deze gebruiksaanwijzing bevat alle benodigde informatie voor het gebruik en de installatie van uw warmtepomp.

De installateur moet de gebruiksaanwijzing lezen en de instructies zorgvuldig volgen bij plaatsing en onderhoud.

Bewaar deze handleiding en geef deze door voor later tijdens de levensduur van het apparaat.

De installateur is verantwoordelijk voor de installatie van het product en moet alle instructies opvolgen van de fabrikant en de regels in toepassing. Verkeerde installatie niet volgens de gebruiksaanwijzing heeft uitsluiting van de gehele garantie tot gevolg.

De fabrikant verwerpt elke verantwoordelijkheid voor de schade veroorzaakt door de mensen, objecten en of de fouten wegens de installatie die niet de aanwijzing van de gebruiksaanwijzing volgen. Elk gebruik zonder bevestiging bij het begin van de fabricatie zal beschouwd worden als gevaarlijk.

1. Specificaties

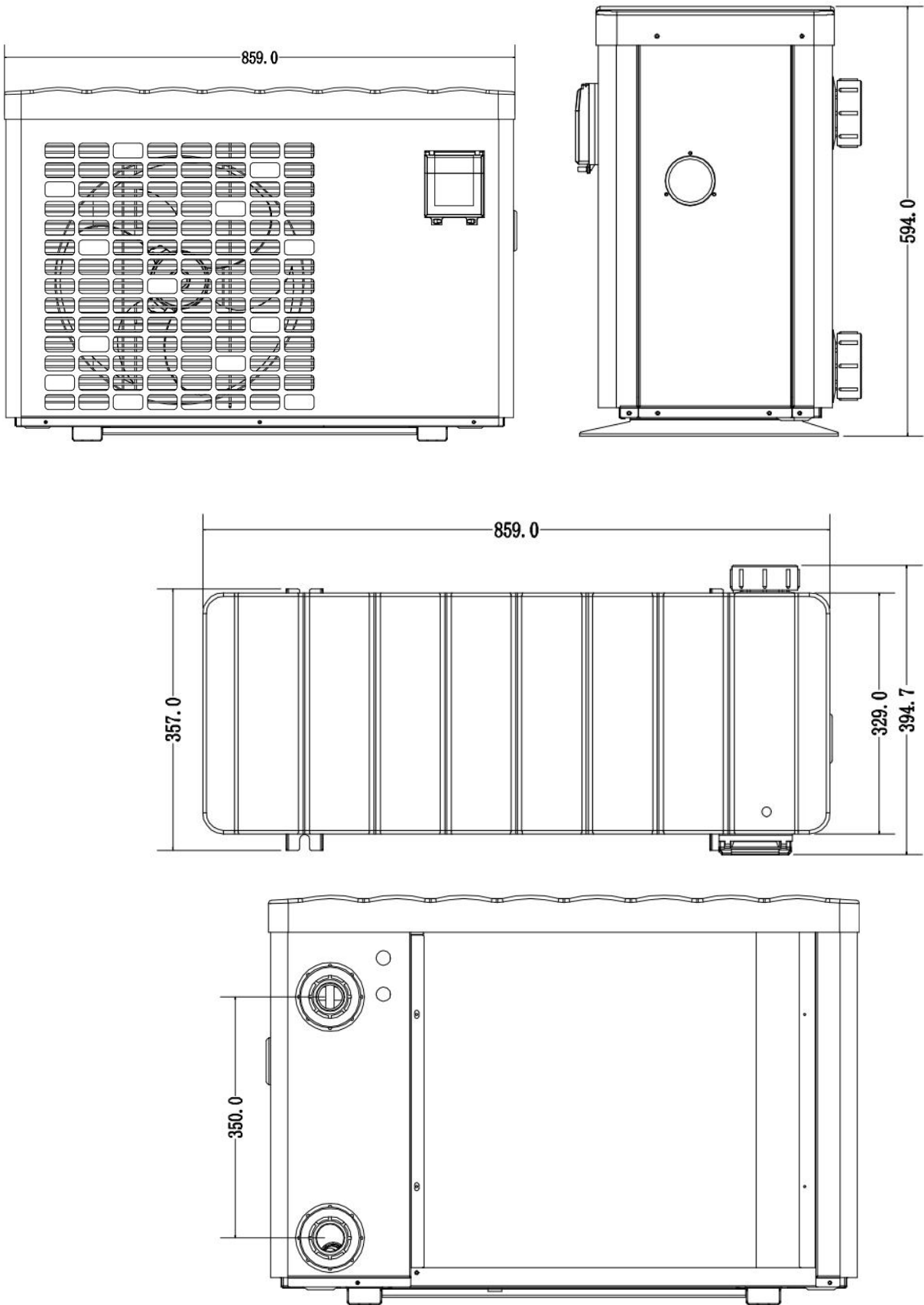
1.1 Technische gegevens

Model		74148	74149	74150	74151
Code		VSP-10	VSP-12	VSP-15	VSP-17
*Prestaties bij Air 28 °C, het water 28 °C, luchtvochtigheid 80%					
Verwarmingscapaciteit	kW	10-2.3	12-2.9	15-3.2	17-3.8
Energieverbruik	kW	1.55-0.14	1.77-0.18	2.26-0.2	2.67-0.23
C.O.P.		16-6.5	16-6.8	16-6.6	16-6.4
* Prestaties bij Air 15 °C, het water 26 °C, luchtvochtigheid 70%					
Verwarmingscapaciteit	kW	7-1.9	8.5-2	10-2.2	12-3
Energieverbruik	kW	1.43-0.27	1.72-0.28	2.07-0.31	2.43-0.42
C.O.P.		7.1-4.9	7.2-4.9	7.2-4.8	7.2-4.9
*Algemene data					
Compressortype		Inverter Compressor			
Spanning	V	220~240V / 50Hz /1PH			
Nominale stroom	A	6.9	7.9	10.0	11.8
Minimale zekering	A	10	12	15	18
Geadviseerde waterflux	m ³ /h	2.8	3.7	4.0	4.6
Waterdrukval	Kpa	12	14	15	15
Warmtewisselaar		Twist-titanium buis van PVC			
Wateraansluiting	mm	50			
Fan quantity		1			
Ventilatie type		Horizontaal			
Geluidsniveau (10m)	dB(A)	22-34	23-35	23-37	24-37
Geluidsniveau (1m)	dB(A)	40-52	40-52	40-54	41-54
Hoeveelheid koelmiddel	g	650	700	1000	1100
CO2 gelijkwaardig	Tonne	0.44	0.47	0.68	0.74
* Dimension/ Weight					
Netto gewicht	kg	56	68	73	78
Bruto gewicht	kg	68	73	78	83
Net dimensie	mm	859*394.7*594	987*418.7*693.5		
Verpakking dimensie	mm	890*425*630	1015*445*715		

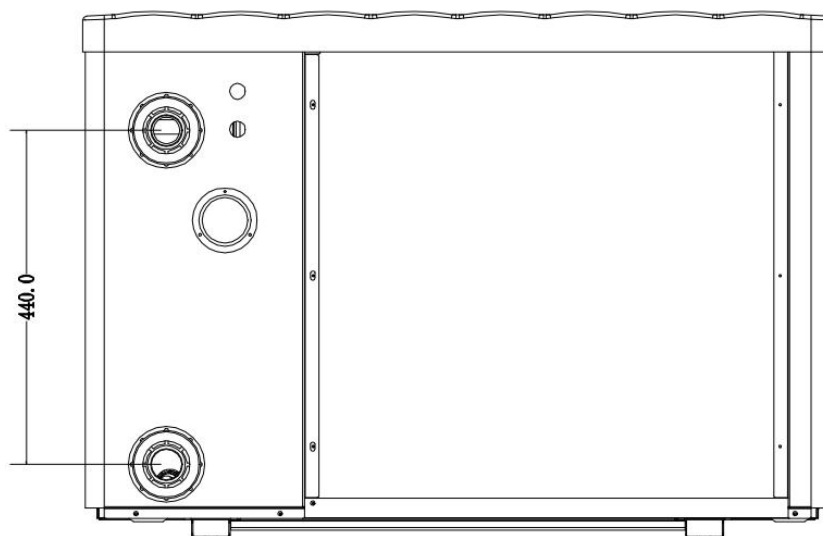
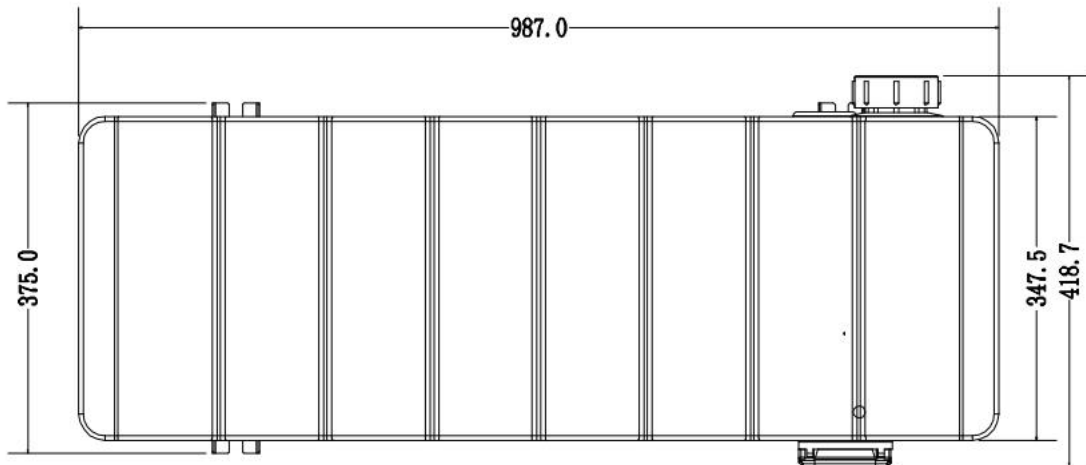
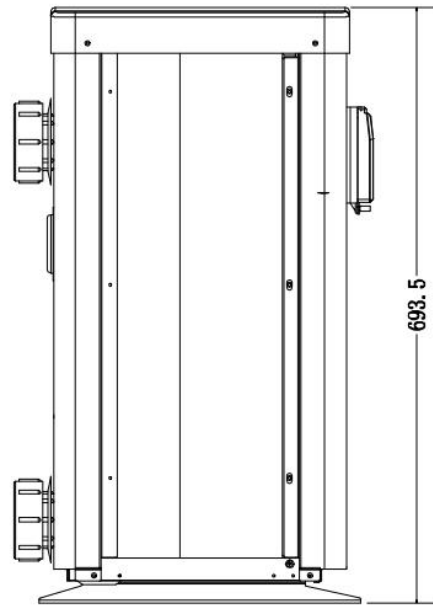
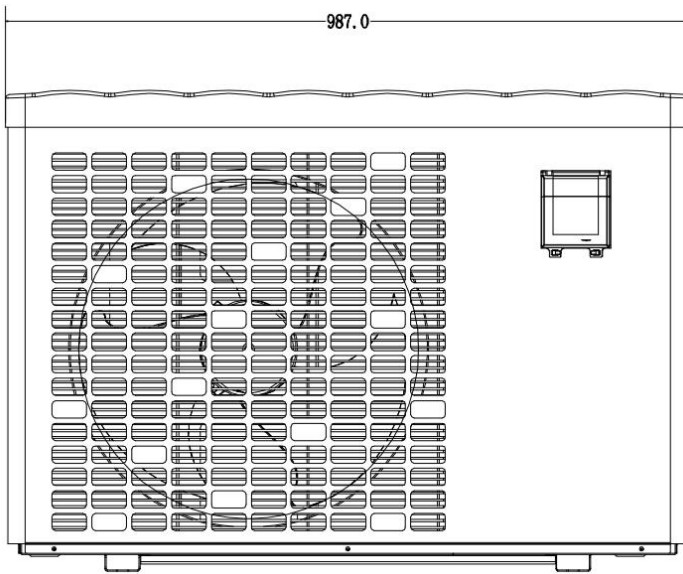
* Bovenstaande gegevens kunnen worden bijgewerkt zonder voorafgaande kennisgeving.

2. Afmeting (mm)

Model: VSP-10



Model:VSP-12 & VSP-15 & VSP-17



3. Installatie en aansluiting

3.1 Opmerkingen

De fabriek levert alleen de warmtepomp. Alle andere componenten, inclusief een bypass wanneer nodig, moeten geleverd worden door de gebruiker of de installateur.

Attentie:

Volg alstublieft de volgende regels wanneer u de warmtepomp installeert:

1. Elke toevoeging van chemicaliën moet plaatsvinden in de buizen gelokaliseerd na de warmtepomp.
2. Installeer een bypass als de afstand van de water toevoer van de zwembadpomp meer dan 20% groter is dan de toegestane toevoer door de warmtewisselaar of de warmtepomp.
3. Plaats de warmtepomp altijd op een vaste ondergrond en gebruik de bijgevoegde demping rubbers om vibratie en geluid te vermijden.
4. Houdt de hele warmtepomp altijd recht . Als het apparaat in een diagonale positie was gehouden, wacht tenminste 24 uren met het starten van de warmtepomp.

3.2 Warmtepomp plaatsing

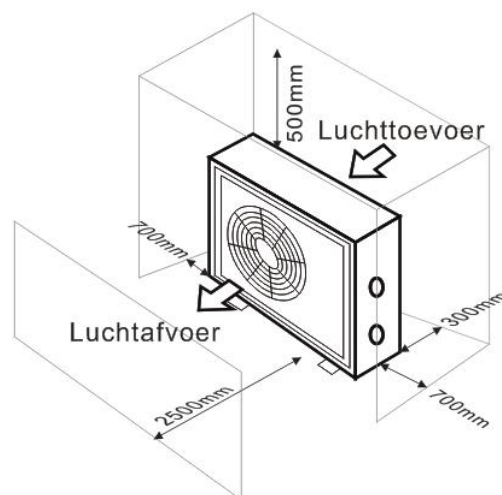
Het apparaat zal goed werken in elke gewenste locatie zolang de volgende drie onderdelen aanwezig zijn:

- 1. Frisse lucht – 2. Elektriciteit – 3. Zwembadfilters**

Het apparaat mag worden geïnstalleerd in virtueel elke buiten locatie zolang als de gespecificeerde minimumafstanden met andere objecten wordt aangehouden (zie tekening hieronder). Raadpleeg alstublieft uw installateur voor installatie met een zwembad binnenshuis. Installatie in een locatie met veel wind is helemaal geen probleem, wel in de situatie met een gasverwarming (inclusief waakvlam problemen).

ATTENTIE: Installeer het apparaat nooit in een afgesloten ruimte met een gelimiteerde luchthoeveelheid in waarde lucht uitgestoten door het apparaat weer hergebruikt wordt, of nabij bosschage dat de luchtinlaat kan blokkeren. Zulke locaties verhinderen de continueuze levering van frisse lucht, wat resulteert in een gereduceerde efficiencie en mogelijk voldoende warmte afgifte tegengaat.

Zie de tekening hieronder voor minimum afstanden.



3.3 Afstand van uw zwembad

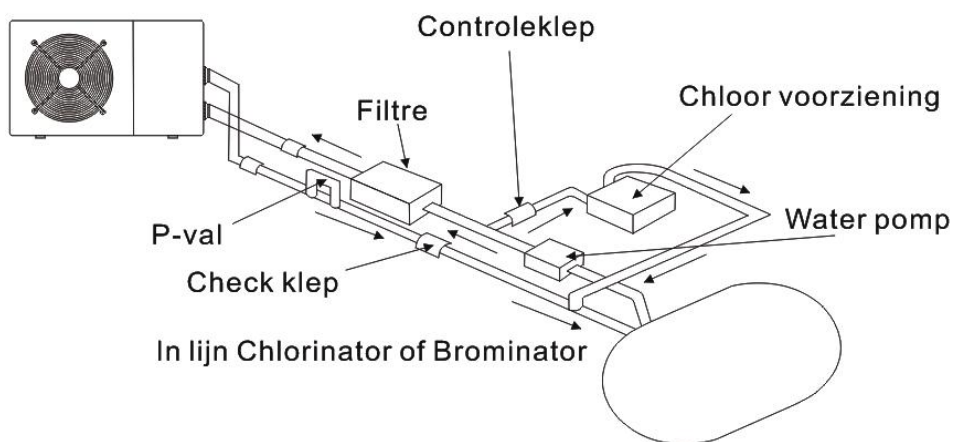
De warmtepomp wordt normaal geïnstalleerd binnen een bereik van 7.5 meter van het zwembad. Hoe groter de afstand van het zwembad, hoe groter het warmteverlies in de buizen. Als de buizen meestal ondergronds zijn, is het warmteverlies laag op afstanden tot 30 m (15 m van en naar de pomp; 30 m in totaal) tenzij de grond na het is of

het grondwaterpeil hoog is. Een ruwe schatting van het warmteverlies per 30 m 0.6 kWh (2,000 BTU) voor elke 5 °C verschil tussen de watertemperatuur in het zwembad en de temperatuur van de grond die de muur omringt. Dit verhoogt de werktijd met 3% tot 5%.

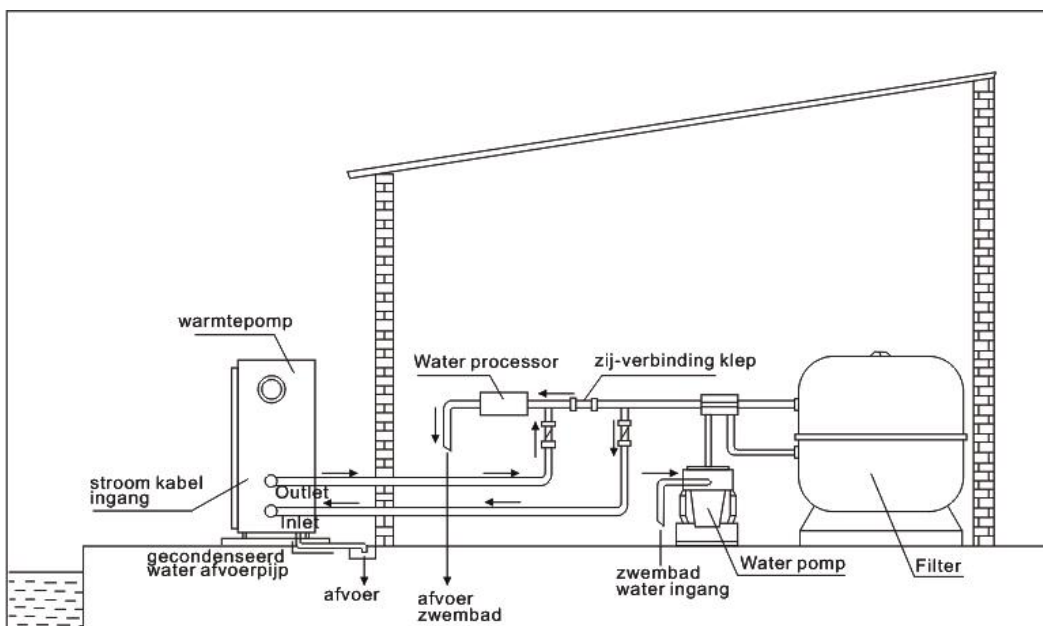
3.4 Controle klep installatie

Opmerking: als een automatische dosering apparaat voor chloor en zuur (pH) gebruikt wordt, is het belangrijk om de warmtepomp te beschermen tegen excessief hoge chemische concentraties die de warmtewisselaar kunnen laten corroderen. Om deze reden, moeten apparaten van deze soort altijd bevestigd worden aan de buizen **na** de warmtepomp, en het wordt aanbevolen om een controleklep te installeren om terugvloeiën van het water te voorkomen in het geval van afwezigheid van water circulatie.

Schade aan de warmtepomp veroorzaakt door nalatigheid van deze instructie is niet gedekt door de garantie.



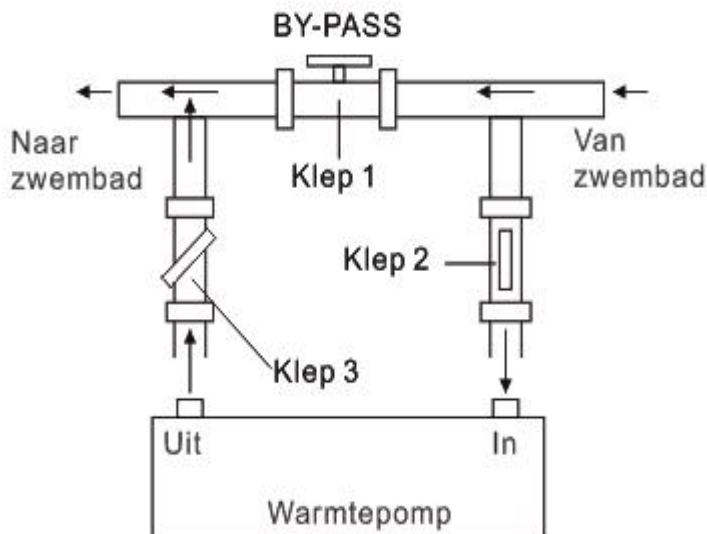
3.5 Typische opstelling



Opmerking: Deze opstelling is alleen een illustratief voorbeeld.

3.6 Instellen van bypass

Optimale werking van de warmtepomp gebeurt wanneer de koel gasdruk 22 ± 2 bar is.



Neem onderstaande stappen om de by-pass aan te passen:

1. Valve 1 wijd open. Klep 2 en klep 3 gesloten.
2. Open de klep 2 en klep 3 met de helft langzaam en sluit vervolgens de klep 1 langzaam om de waterstroom naar klep 2 en klep 3 te verhogen.
3. Als het 'ON' of 'EE3' op het display verschijnt, betekent dit dat de waterstroom in de warmtepomp niet genoeg is, dan moet u de kleppen aanpassen om de waterstroom door de warmtepomp te verhogen.

Hoe u de optimale waterstroom krijgt:

Zet de warmtepomp onder de verwarmingsfunctie aan, sluit eerst de bypass en open het langzaam om de warmtepomp te starten (de machine kan niet starten als de waterstroom onvoldoende is).

Blijf doorgaan met de bypass, om de watertemperatuur in te voeren. & Outlet water temp., Het zal optimaal zijn als het verschil ongeveer 2 graden is.

3.7 Elektrische verbinding

Opmerking: Alhoewel de warmtepomp elektrisch geïsoleerd is van de rest van het zwembadsysteem, voorkomt dat alleen de doorvoer van elektrische stroom naar of van het water in het zwembad. Aarding is nog steeds nodig voor bescherming tegen kortsluiting in het apparaat. Zorg altijd voor een goede aarding verbinding.

Waarschuwing: Voordat u werkzaamheden aan de binnenkant van het apparaat uitvoert, moet u de elektriciteitstoevoer van het apparaat afsluiten, aangezien er een risico op elektrische schokken bestaat, wat materiële schade, ernstig letsel of zelfs de dood kan veroorzaken.

- **Onjuist aangedraaide klemmen kunnen ertoe leiden dat de klemmenkast oververhit raakt, waardoor de garantie vervalt.**
- **Alleen een gekwalificeerde en ervaren technicus is bevoegd om bekabelingswerkzaamheden in het apparaat uit te voeren of om het netsnoer te vervangen.**

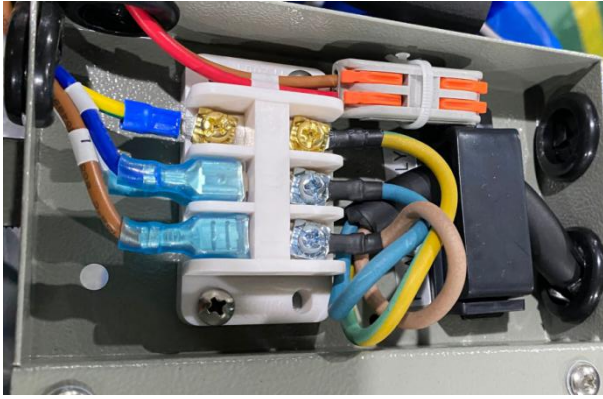
Voor het aansluiten van het apparaat, verifiëer dat het stroomvoltage overeenkomt met het werk voltage van de warmtepomp.

Het wordt aanbevolen om de warmtepomp te verbinden met een circuit met een eigen zekering of circuit onderbreker (langzaam type; graad D) en om goede bedrading te gebruiken .

Verbindt de elektrische draden met het terminalblok gemarkeerd ' POWER SUPPLY '.

Een tweede terminalblok gemarkeerd 'WATER PUMP ' is gelokaliseerd naast de eerste. De filterpompschakelaar kan hier op het tweede klemmenblok worden aangesloten. Hierdoor kan de werking van de filterpomp worden geregeld door de warmtepomp of door het extra droge contact.


Opmerking: In het geval van 3-fase modellen, kan verwisseling van twee fases veroorzaken dat de elektrische motoren in de tegengestelde richting draaien, wat tot schade kan leiden. Om deze reden, heeft het apparaat een ingebouwde bescherming die het circuit verbreekt als de verbinding niet correct is. Als de rode LED boven dit veiligheidsapparaat oplicht, **moet u de verbindingen van twee van de fasedraden verwisselen.**



3.8 Initiële werking

Opmerking: Om het water in het zwembad (of hete kuip) te verwarmen, moet de filterpomp draaien om ervoor voor te zorgen dat het water circuleert door de warmtepomp. De warmtepomp zal niet opstarten als het water niet circuleert.

Nadat alle verbindingen gemaakt zijn en gecontroleerd, voer dan de volgende procedure uit:

1. Zet de filterpomp aan. Controleer op lekkage en verifieer dat het water stroomt van en naar het zwembad.
2. Sluit de stroom aan de waterpomp aan en druk op de aan/uit knop  op het elektronische controlepaneel. Het apparaat zou opstarten nadat de tijdvertraging voorbij is (zie onder).
3. Na een paar minuten, controleer of de lucht die uit het apparaat komt koeler is.
4. Wanneer de filterpomp uitgezet wordt, moet het apparaat ook automatisch afslaan, wanneer niet, stel dan de doorvoer schakelaar bij.

Afhankelijk van de initiële temperatuur van het water in het zwembad en de luchttemperatuur, kan het verscheidene dagen duren om het water te verwarmen tot de gewenste temperatuur. Een goede zwembad afdekking kan de benodigde lengte van tijd dramatisch inkorten.

Water doorvoer schakelaar:

Het is uitgerust met een doorvoer schakelaar om het HP apparaat ervoor te beschermen dat het draait met een voldoende water doorvoer snelheid. Het zal aangaan wanneer de zwembadpomp loopt en laat het stoppen wanneer de pomp stopt.

Tijdvertraging - De warmtepomp heeft een ingebouwde 3-minuten opstart vertraging om het circuit te beschermen en excessief contact verval te voorkomen. Het apparaat zal automatisch herstarten nadat deze tijdvertraging afloopt. Zelfs een korte stroomonderbreking zal deze tijdvertraging starten en voorkomen dat het apparaat onmiddellijk herstart. Meerdere stroomonderbrekingen tijdens deze vertraging periode hebben geen effect op de 3-minuten periode van de vertraging.

3.9 Condensatie

De lucht aangetrokken door de warmtepomp wordt sterk gekoeld door de werking van de warmtepomp om het water van het zwembad te verwarmen, wat condensatie kan veroorzaken op de bladen van de verdamper. De hoeveelheid condensatie kan zoveel zijn als verscheidene liters per uur bij hoge relatieve vochtigheid. Dit is soms foutief beschouwd als een water lekkage.

3.10 Gebruiksmodi voor optimaal gebruik

-POWERFUL: Deze modus wordt gebruikt om bij aanvang van het seizoen het zwembadwater op temperatuur te brengen.

-SMART: De warmtepomp heeft zijn primaire taak volbracht, in deze modus is de warmtepomp in staat om het zwembad water op een energie efficiënte manier op peil te houden. Door automatische aanpassing van draai snelheid van compressor en ventilator levert de warmtepomp een beter rendement.

-SILENT: In de zomermaanden, wanneer de verwarming capaciteit minimaal nodig is, gaat de warmtepomp in deze modus nog beter renderen. Extra voordeel, wanneer de warmtepomp moet bij verwarmen doet deze dit met minimale geluid belasting.

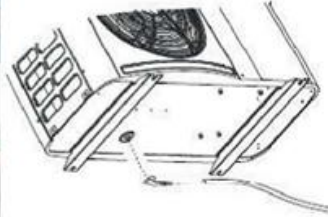
4. Accessoires

4.1 Accessoire lijst

		
Anti-vibratie basis, 4 stuks	Aftap buis, 2 stuks	Watervaste kist, 1 stuk
		
Winterhoes, 1 stuk	Water drainagebuizen, 2 stuks	10M Signaal draad, 1 stuk

4.2 Accessoires installatie

	<p>Anti-vibratie rubbers</p> <ol style="list-style-type: none">1. Neem de 4 anti-vibratie rubbers eruit2. Plaats ze een voor een onder de bodem van de machine zoals op het plaatje.
---	--



Aftap buis

1. Installeerde aftap buis onder het bodempaneel
2. Verbindt het met een water buis om het water af te tappen.

Opmerking: Til de warmtepomp op om de buis te installeren. Til de warmtepomp nooit te ver op, het kan de compressor beschadigen.



Water invoer & uitvoer verbinding

1. Gebruik de buis tape om de water invoer & uitvoer verbinding op de warmtepomp te verbinden
2. Installeer de twee verbindingen zoals op het plaatje getoond
3. Schroef ze op de water & uitvoer verbinding



Kabel bedrading

1. Verbind de stroomverbinding draad door het witte gat zoals het plaatje laat zien.
2. Bevestig de andere zijde op verbindingen in de elektrische doos.



Waterpomp bedrading

1. Verbind de waterpomp draad door het witte gemarkeerde gat
2. Bevestig de andere zijde op de verbindingen in de elektrische doos.

4.3 Connection to the filtration pump

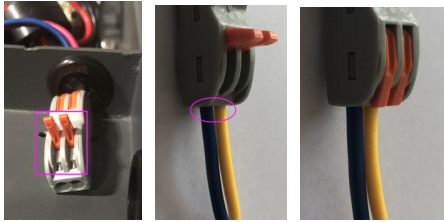
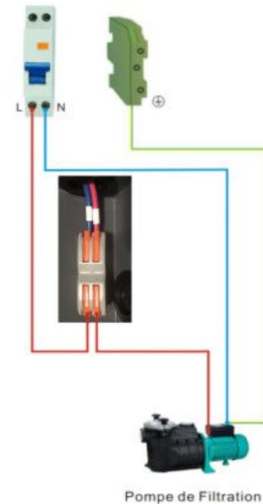


Foto 1

Foto 2

Foto 3

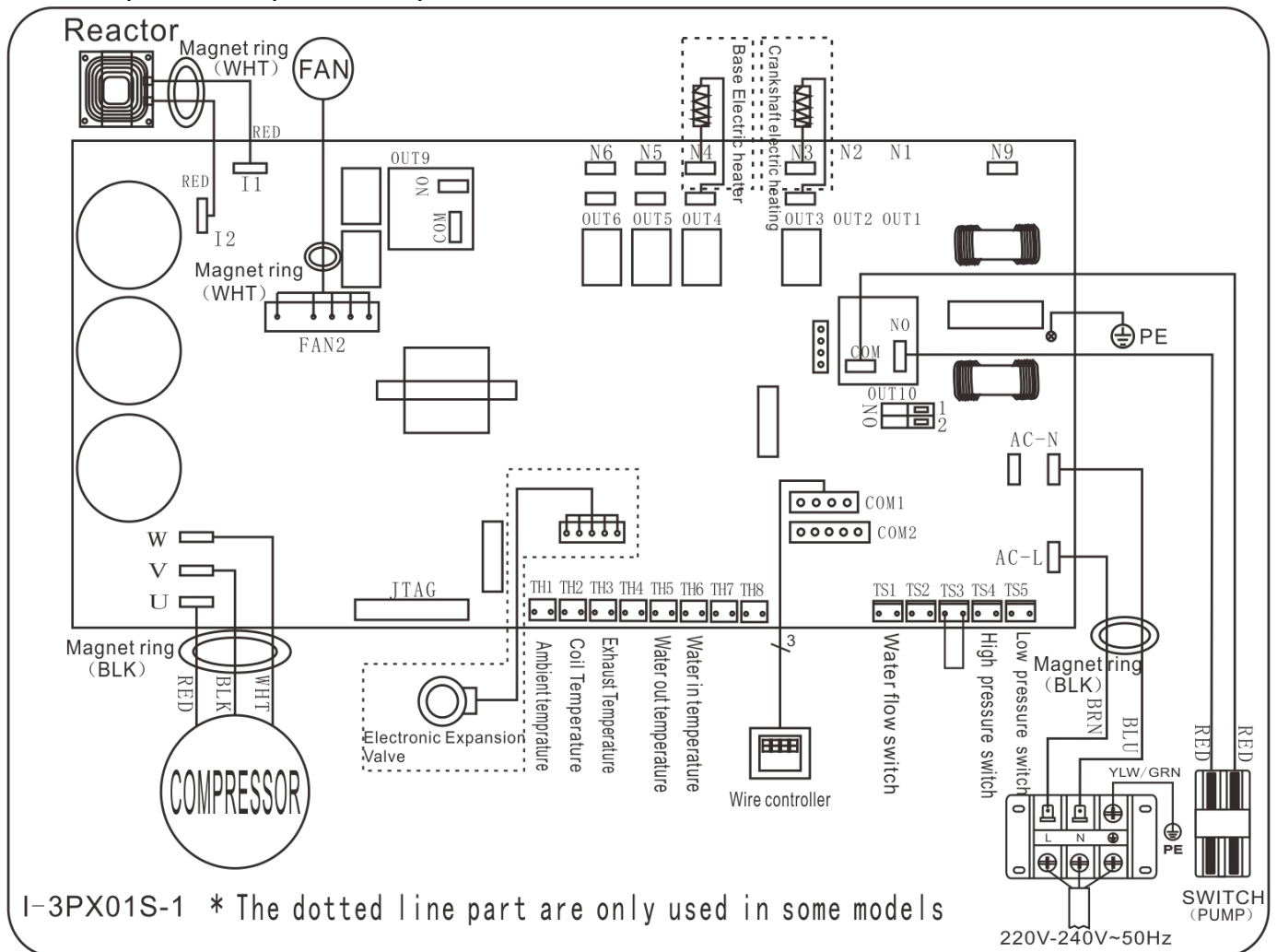
- Open de knop naar boven zoals (Foto 1)
- Bevestig de droge contactbedrading door de twee gaten zoals (Foto 2 & Foto 4)
- Druk op de knop en draai de bedrading vast zoals (Foto 3)



(Foto 4)

5. Elektrische bedrading

5.1 ZWEMBAD WARMTEPOMP BEDRADING SCHEMA VSP-10 / VSP-12 / VSP-15 / VSP-17



OPMERKING:

(1) Bovenstaande elektrisch bedradings schema is alleen ter referentie, onderwerp alstublieft de machine volgens het bedradingschema.

(2) De zwembad warmtepomp moet ook verbonden worden met een aarding draad, alhoewel de warmtewisselaar van het apparaat elektrisch geïsoleerd is van de rest van het apparaat. Het aarden van het apparaat is nog steeds nodig om u te beschermen tegen kortsluitingen in het apparaat. Verbinding is ook nodig.

(3) Er wordt aanbevolen dat uw zwembadwater pomp en warmtepomp onafhankelijk worden bedraad.

Bedrading uw zwembad pomp in de warmtepomp wordt uw filtratie wordt uitgeschakeld zodra het zwembadwater heeft temperatuur bereikt.

Alleen bekabelen van het zwembad pomp door de warmtepomp als je een pool pomp, voor alleen verwarmen die onafhankelijk is om uw zwembad filtersysteem.

Afsluiting: Een afsluiting betekent (circuit onderbreken, gezeekerde of niet-gezeekerde schakelaar) moet geplaatst worden binnen het zicht en of direct bereikbaar vanaf het apparaat. Dit is normaal gebruik op commerciële en residentiële warmtepompen. Het voorkomt het op afstand aan zetten van het apparaat en staat het afsluiten van de stroom van het apparaat toe terwijl het apparaat wordt nagekeken.

5.5 Installatie van de schermbediening

foto(1)



foto(2)



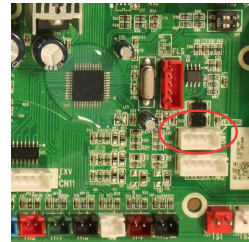
foto(3)



foto(4)



foto(5)



- De kant met stekker verbindt met het bedieningspaneel (foto1)
- De andere kant van de signaaldraad. (foto2)
- Open het bedradingspaneel en steek de zijkant zonder stekker door de schakelkast. (foto 3,4)
- Plaats de bedrading in de uitgezette positie (code: COM 1 of COM-L) op de printplaat. (foto5)

6. Scherm bediening systeem


6.1 De knoppen van de LED draad bediening





6.2 De toetsen en hun activiteiten


OPMERKING: Telkens wanneer de warmtepomp op het stroomnet wordt aangesloten, geeft het LED-display gedurende 3 seconden een code weer die het warmtepompmodel aangeeft.

6.2.1 knop

Druk op  om de warmtepomp start, toont het LED-display van de gewenste temperatuur van het water gedurende 5 seconden, toont vervolgens de inlaat temperatuur van het water en van de werking mode.

Druk op  om de warmtepomp te stoppen en te laten zien "OFF"

Opmerking: Tijdens de parameter controle en instelling, druk op  de snel-exit en sla de huidige instelling.



Druk nogmaals op  om in / uitschakelen van de machine.

6.2.2 en toets

Klok / ontgrendel het display:

Houd  en  gedurende 5 seconden ingedrukt om het scherm te vergrendelen / ontgrendelen.



Temperatuur water instelling:

Druk op  of  om de temperatuur van het water rechtstreeks in te stellen.


Watertemperatuur. instelbereik in verwarmingsmodus: 6-41 °C.

6.2.3 knop

Parameter controle:

Druk op  eerst, druk vervolgens op  om de parameter gebruiker controleren van d0 volgens d11

Code	Staat	strekking	Opmerking
d0	IPM vormtemperatuur	0-120°C	Real testen waarde
d1	Inlet water temp.	-9°C~99°C	Real testen waarde
d2	Uitlaat water temp.	-9°C~99°C	Real testen waarde
d3	Ambient temp.	-30°C~70°C	Real testen waarde
d4	Frequentiebeperkingscode	0,1,2,4,8,16	Real testen waarde
d5	Piping temp.	-30°C~70°C	Real testen waarde
d6	uitlaatgastemperatuur	0°C~C5°C (125°C)	Real testen waarde
d7	Stap van EEV	0~99	N*5
d8	Compressor loopt frequentie	0~99Hz	Real testen waarde
d9	compressor huidige	0~30A	Real testen waarde
d10	Huidige ventilatorsnelheid	0-1200 (rpm)	Real testen waarde
d11	Error code voor de laatste keer	Alle foutcode	

Druk op  eerst, en vervolgens op om de "Gebruikersparameter van P0 tot P7 te controleren.

Druk zo nodig op  seconde en druk vervolgens op  of  om de huidige parameter aan te passen.

(bijvoorbeeld: druk eerst op  en druk vervolgens op  om parameter P7-controle in te voeren en druk op  seconde en druk vervolgens op  of  om de parameter P7 Inlaatwatertemp.correctie van -9 tot 9 aan te passen)

Code	Naam	strekking	Standaard	Opmerking
P0	Handmatig ontdooien	0-1	0	1 Handmatige ontdooimodus, 0 Normale modus
P1	Werkmodus	1	1	1 Verwarming mode
P2	Timer on / off	0-1	0	1 Timer aan / uit onder functie, 0 Timer on / off is van de functie (De instelling van de P4 en P5 zal niet werken)
P3	Waterpomp	0-1	0	1 Altijd lopen, 0 Afhankelijk van het verloop van de compressor
P4	Huidige tijd	HH:MM	0:00	<u>0-23:0-59</u>
P5	Wekker aan	HH:MM	0:00	<u>0-23:0-59</u>
P6	timer uit	HH:MM	0:00	<u>0-23:0-59</u>
P7	Inlet water temp. correctie	-9~9	0	Standaardinstelling: 0

OPMERKING: Onder de ontdooimodus is P0 = 1.

Nadat het ontdooien is voltooid, wordt automatisch de normale modus geactiveerd, P0 = 0.

6.2.4 Prioriteit verwarming , aansluitmogelijkheid

8.1 Optie 1 Waterpomp heeft betrekking op de werking van de warmtepomp om te starten of te stoppen.

De waterpomp start 60 seconden voordat de compressor, de waterpomp begint 30 seconden en detecteert vervolgens de waterstroomschakelaar.

Wanneer de warmtepomp in de stand-bymodus komt, stopt de compressor 5 minuten nadat de waterpomp is gestopt.

	Staat	Voorbeeld	Waterpomp werkende logica	
Verwarmings modus	P3=0, T1≥Tset-0.5°C, duurt 30 minuten	P3=0, T1≥27.5°C, duurt 30 minuten	1. Daarna gaat het gedurende 1 uur naar de stand-bymodus (het wordt niet opnieuw gestart, behalve wanneer het handmatig wordt ingeschakeld.)	2. Na 1 uur zal de filtratiepomp 5 minuten opnieuw opstarten. Als de T1≤ 27°C, begint de warmtepomp te werken tot T1≥27,5 °C en duurt deze 30 minuten om in stand-by te gaan

Optie 2 Zal de waterpomp altijd aan staan (P3 = 1)

Onder voorwaarde P3 = 1, wanneer T1 ≥ Tset + 1 °C (T1 ≥ 29 °C) duurt 3 minuten, de warmtepomp in de stand-bymodus komt, en zal de waterpomp altijd aan staan.

Als de warmtepomp handmatig wordt uitgeschakeld of TIJD UIT staat, stopt de filterpomp dienovereenkomstig.

Onder optie 2, met activering van de timer; P2 = 1 om de filterpomp te starten en te stoppen volgens de programmering van de P4 (tijd), P5 (timer ON) en P6 (timer OFF)

Voorwaarde voor het starten van de warmtepomp, timer AAN is geactiveerd;

Wanneer de timer de ingestelde tijd van TIMER ON bereikt, start de filterpomp en na 5 minuten start de warmtepomp. De warmtepomp blijft stilstaan als het water in temperatuur ≥ Tset + 1 °C is, voordat de TIMER UIT is, is de filtratie nog steeds geactiveerd.

Voorwaarde om de warmtepomp te stoppen, timer UIT wordt geactiveerd;

Wanneer de timer de ingestelde tijd van de TIMER UIT bereikt, stopt de warmtepomp en stopt de filterpomp na 5 minuten.

NOTE :

Tset =Watertemperatuur testen

Bijvoorbeeld : Tset = 28°C Watertemperatuur testen in uw zwembad warmtepomp



Tset-0.5 = less 0.5°C dan het testen van de temperatuur

Tset- 0.5 = 28-0.5=27.5°C

Tset+0.5= more 0.5°C dan het testen van de temperatuur

Tset+ 0.5 = 28+0.5=28.5°C

6.2.5 Systeem reset-functie

Druk op  en  in 10s, zal het systeem resetten en weer te geven "0000" op de controller.

6.2.6




Symbol verhitte zal het licht wanneer deze in werking is.

Bij het ontdooien, zal het licht knipperen.

6.2.7




Symbol van automatische stop, het lampje brandt wanneer het in werking is.

Opmerking: Als parameter P6 aan staat, is het symbool van automatisch stoplicht  knipperend.

6.2.8



Symbol van automatische start, het lampje brandt wanneer het in werking is.

Opmerking: Als parameter P5 aan staat, is het symbool van automatisch startlichtje  knipperend.

6.2.9



Op deze knop drukt, zal de lichtflits, zal de warmtepomp werken in 'Volledige output' alleen.

6.2.10



Terwijl u de Smart kiest, zal de warmtepomp net opereren in 'Kleine output' , 'Gemiddelde output' en 'Volledige output'.

Wanneer in 'Kleine output' de lamp van Smart oplicht, zal de Silent of Powerful knipperen.

In 'Gemiddelde output' knippert het lampje van Smart.

In 'Volledige output' brandt de lamp van Smart, de lamp van Krachtig knippert.

6.2.11



Terwijl u de Silent kiest, zal de warmtepomp net opereren in 'Gemiddelde output' en 'Kleine output'.

In 'Kleine output' knippert het lampje van Stil.

In 'Gemiddelde output' gaat de lamp van Silent aan, de lamp van Smart knippert

7. Problemen

7.1 Fout code scherm op LED draad bediening

Storing	Foutcode	Reden	Oplossing
Fout in inlaatwatertemperatuur sensor d1-TH6	PP01	<ol style="list-style-type: none"> 1. De sensor in open of kortsluiting 2. De bedrading van de sensor zit los 	<ol style="list-style-type: none"> 1. Controleer of verander de sensor 2. Herbevestig de bedrading van de sensoren
Uitlaat watertemperatuursens or defect d2-TH5	PP02	<ol style="list-style-type: none"> 1. De sensor in open of kortsluiting 2. De bedrading van de sensor zit los 	<ol style="list-style-type: none"> 1. Controleer of verander de sensor 2. Re-fix de bedrading van de sensoren
Storing verwarmingslanssensor d5-TH2	PP03	<ol style="list-style-type: none"> 1. De sensor in open of kortsluiting 2. De bedrading van de sensor zit los 	<ol style="list-style-type: none"> 1. Controleer of verander de sensor 2. Re-fix de bedrading van de sensoren
Uitval van de omgevingstemperatuur sensor d3-TH1	PP05	<ol style="list-style-type: none"> 1. De sensor in open of kortsluiting 2. De bedrading van de sensor zit los 	<ol style="list-style-type: none"> 1. Controleer of verander de sensor 2. Re-fix de bedrading van de sensoren
Uitlaatpijpsensor defect d6-TH3	PP06	<ol style="list-style-type: none"> 1. De sensor in open of kortsluiting 2. De bedrading van de sensor zit los 	<ol style="list-style-type: none"> 1. Controleer of verander de sensor 2. Re-fix de bedrading van de sensoren
Vorstbescherming in de winter	PP07	De omgevingstemperatuur of de waterinlaattemperatuur is te laag	<ol style="list-style-type: none"> 1. Controleer de d1 en d3. (d1 inlaat watertemp., d3 uitlaat watertemp.) 2. Normale bescherming
Lage omgevingstemperatuur beveiliging	PP08	<ol style="list-style-type: none"> 1. Let de reikwijdte van het gebruik milieu 2. Sensorafwijking d3-TH1 	<ol style="list-style-type: none"> 1. Stop met behulp van, buiten het gebruik van 2. Wijzig de sensor

Storing	Foutcode	Reden	Oplossing
Hoge drukfout TS4	EE01	<ol style="list-style-type: none"> 1. De temperatuur van de omgeving is te hoog 2. Watertemperatuur is te hoog 3. Waterstroom is te laag 4. Het ventilatortoerental is abnormaal of de ventilatormotor is beschadigd 5. Gas systeem vastgelopen 6. Hogedrukdraad is los of beschadigd 7. Te veel koelmiddel 	<ol style="list-style-type: none"> 1. Controleer de waterstroom of waterpomp 2. Controleer de ventilatormotor 3. Controleer en repareer het leidingsysteem 4. Controleer en repareer het koelsysteem 5. Sluit de hogedruk draad of nieuwe vervangen hogedrukpressostaat 6. Controleer en repareer het koelsysteem

Lagedrukstoring TS5	EE02	<ol style="list-style-type: none"> 1. EEV is geblokkeerd of het leidingsysteem is vastgelopen 2. Motortoerental is abnormaal of motor is beschadigd 3. Gaslekkage 4. Lagedrukdraad is los of beschadigd 	<ol style="list-style-type: none"> 1. Controleer de EEV en het leidingsysteem 2. Controleer de motortoerental in verwarmingsmodus, vervang een nieuwe als deze abnormaal is 3. Door de hoge drukmeter om de drukwaarde te controleren 4. Sluit de lagedrukdraad opnieuw aan of vervang een nieuwe lagedrukschakelaar
Uitval waterstroom TS1	EE03 Or" ON"	<ol style="list-style-type: none"> 1. De bedrading van de waterstroomschakelaar is los of de waterstroomschakelaar is beschadigd 2. Geen/Onvoldoende waterstroom 3. Flowschakelaar op de slechte manier gemonteerd. 	<ol style="list-style-type: none"> 1. Wijzig de waterstromingsschakelaar 2. Controleer de waterpomp of het vaarwegsysteem 3. Controleer de positie van de stroomschakelaar op basis van de waterstroomrichting.
Oververhittingsbeveiliging voor watertemperatuur (d2-TH5) in verwarmingsmodus	EE04	<ol style="list-style-type: none"> 1. Lage waterstroom 2. Waterstroomschakelaar zit vast en de watertoevoer is afgesneden 3. d2-TH5-sensor is abnormaal 4. Het verschil tussen de temperatuur van het uitlaatwater en de ingestelde temperatuur is 7 ° C of hoger in de verwarmingsmodus 	<ol style="list-style-type: none"> 1. Controleer het watersysteem 2. Controleer de waterpomp of waterstroomschakelaar 3. Controleer sensor d2-TH5 of wijzig een andere sensor 4. Wijzig de ingestelde temperatuur.
d6-TH3 Uitlaat te hoge bescherming	EE05	<ol style="list-style-type: none"> 1. Geen gas 2. Lage waterstroom 3. Het systeem is geblokkeerd 4. Uitlaat temp. Sensorfout 5. Omgevingstemperatuur is te hoog 	<ol style="list-style-type: none"> 1. Controleer de hogedrukmeter, vul deze bij te laag gas bij 2. Controleer het vaarwegsysteem en de waterpomp 3. Controleer het leidingsysteem als er een blok was 4. Wijzig een nieuwe uitlaattemp. Sensor 5. Controleer of de huidige omgevingstemperatuur en watertemperatuur hoger zijn dan de bedrijfstemperatuur van de machine
Controller mislukt	EE06	<ol style="list-style-type: none"> 1. De draadverbinding is niet goed of beschadigde signaaldraad 2. Controllerstoring 	<ol style="list-style-type: none"> 1. Controleer en sluit de signaaldraad opnieuw aan 2. Verander een nieuwe signaaldraad 3. Schakel de stroomtoevoer uit en start de machine opnieuw op 4. Verander een nieuwe controller

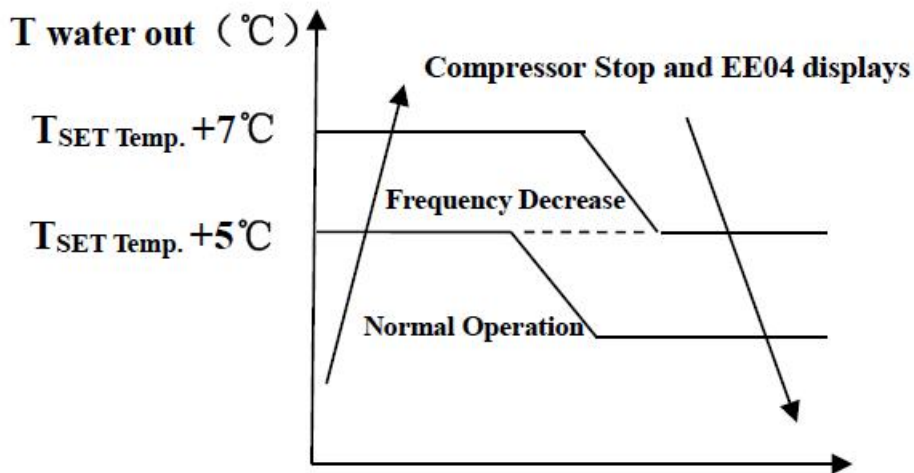
Storing	Foutcode	Reden	Oplossing
Compressor huidige bescherming	EE07	<ol style="list-style-type: none"> 1. De stroom van de compressor is onmiddellijk te groot 2. Verkeerde aansluiting voor compressor-fasevolgorde 3. Compressorophopingen van vloeistof en olie leiden tot de stroom wordt groter 4. Compressor of driverboard beschadigd 5. De waterstroom is abnormaal 6. Krachtfluctuaties binnen een korte tijd 	<ol style="list-style-type: none"> 1. Controleer de compressor 2. Controleer het vaarwegsysteem 3. Controleer of het vermogen binnen het normale bereik valt 4. Controleer de aansluiting van de fasevolgorde 5. Controleer de stroomtoevoer
Communicatiefout tussen controller en moederbord	EE08	<ol style="list-style-type: none"> 1. Slechte signaaldraadverbinding of beschadigde signaaldraad 2. Controllerstoring 3. Rijden mislukt 	<ol style="list-style-type: none"> 1. Controleer en sluit de signaaldraad opnieuw aan 2. Verander een nieuwe signaaldraad 3. Schakel de stroomtoevoer uit en start de machine opnieuw op 4. Verander een nieuwe controller 5. Controleer het stuursysteem of update het.
Communicatiefout tussen hoofdbesturingskaart en rijbord	EE09	<ol style="list-style-type: none"> 1. Slechte verbinding van communicatiedraad 2. Moederbord defect 3. De draad is beschadigd 	<ol style="list-style-type: none"> 1. Stop de stroomtoevoer en start opnieuw. 2. Controleer de draadverbinding 3. Verander een nieuwe draad 4. Vervang een nieuwe printplaat
VDC-voltage te hoge beveiliging	EE10	<ol style="list-style-type: none"> 1. Moeder lijnspanning is te hoog 2. Driver board is beschadigd. 	<ol style="list-style-type: none"> 1. Controleer of het vermogen binnen het normale bereik valt 2. Wijzig driverbord of hoofdbord
IPM-modulebeveiliging	EE11	<ol style="list-style-type: none"> 1. Gegevensfout 2. Wrong compressor-fase verbinding 3. Compressor vloeistof en olie accumulatie leiden tot de stroom wordt groter 4. Slechte warmteafvoer of aandrijfmodule of hoge omgevingstemperatuur 5. Compressor of driverboard beschadigd 	<ol style="list-style-type: none"> 1. Programmafout, elektriciteit uitschakelen en herstarten na 3 minuten 2. Controleer de aansluiting van de compressorsequentie 3. Controleer de druk of het systeem met de manometer 4. Slechte warmteafvoer van de omvormermodule of hoge omgevingstemperatuur 5. Wijzig bestuurdersbord
VDC-voltage te lage beveiliging	EE12	<ol style="list-style-type: none"> 1. Moeder lijnspanning is te laag 2. Driver board is beschadigd. 	<ol style="list-style-type: none"> 1. Controleer of het vermogen binnen het normale bereik valt 2. Wijzig bestuurdersbord
Voer stroom in via een hoge beveiliging	EE13	<ol style="list-style-type: none"> 1. De compressorstroom is te groot kortstondig 2. De waterstroom is abnormaal 3. Power schommelingen binnen een korte tijd 4. Verkeerde PFC-inductor 	<ol style="list-style-type: none"> 1. Controleer de compressor 2. Controleer het vaarwegsysteem 3. Controleer of het vermogen binnen het normale bereik valt 4. Controleer of de juiste PFC-inductor wordt gebruikt

Storing	Foutcode	Reden	Oplossing
Het thermische circuit van de IPM-module is abnormaal	EE14	<ol style="list-style-type: none"> 1. Uitgangsfwijking van het thermische circuit van de IPM-module 2. Fan motor is abnormaal of beschadigd Ventilatorblad is gebroken	<ol style="list-style-type: none"> 1. Wijzig een bestuurdersbord 2. Controleer of het motortoerental te laag is of dat de ventilatormotor beschadigd is, verander een andere 3. Verander een ander ventilatorblad
IPM-module temperatuur te hoge beveiliging	EE15	<ol style="list-style-type: none"> 1. Uitzonderingsfout van het thermische circuit van de IPM-module 2. Motor is abnormaal of beschadigd 3. Het ventilatorblad is gebroken 4. De schroef op het bestuurdersbord zit los 	<ol style="list-style-type: none"> 1. Wijzig een bestuurdersbord 2. Controleer of het ventilatortoerental te laag is of dat de ventilatormotor beschadigd is, verander een andere 3. Verander een ander ventilatorblad
Bescherming van PFC-modules	EE16	<ol style="list-style-type: none"> 1. Uitputting uitzondering van PFC-module 2. Motor is abnormaal of beschadigd 3. Fan mes is gebroken 4. Ingangsspanningssprong, ingangsvermogen is abnormaal 	<ol style="list-style-type: none"> 1. Wijzig een bestuurdersbord 2. Controleer of het motortoerental te laag is of dat de ventilatormotor beschadigd is, verander een andere 3. Een ander ventilatorblad verwisselen 4. Controleer de ingangsspanning
Storing DC-ventilatormotor	EE17	<ol style="list-style-type: none"> 1. DC motor is beschadigd 2. Controleer voor de driefase of de nulleider is aangesloten 3. Main board is beschadigd 4. Het ventilatorblad zit vast 	<ol style="list-style-type: none"> 1. Detecteer DC-motor, vervang deze door een nieuwe 2. Controleer de bedradingsverbinding voor de driefasige machine 4. Een nieuw moederbord wijzigen of stuurprogramma 5. Ontdek de barrière en werk het uit
Het thermische circuit van de PFC-module is abnormaal	EE18	Het driverboard is beschadigd	<ol style="list-style-type: none"> 1. Wijzig een nieuw driverboard 2. Controleer of het ventilatortoerental te laag is of dat de ventilatormotor is beschadigd, verander een andere motor
PFC-module bescherming tegen hoge temperaturen	EE19	<ol style="list-style-type: none"> 1. PFC-module thermische circuituitgang abnormaal 2. Motor is abnormaal of beschadigd 3. Fan mes is gebroken 4. De schroef in het driverboard zit niet strak 	<ol style="list-style-type: none"> 1. Wijzig een nieuw driverboard 2. Controleer of het motortoerental te laag is of dat de ventilatormotor beschadigd is, verander een andere 3. Een ander ventilatorblad verwisselen 4. Controleer of de schroef los zit
Ingangsstroomstoring	EE20	De voedingsspanning fluctueert te veel	Controleer of de spanning stabiel is

Storing	Foutcode	Reden	Oplossing
Uitzondering voor softwarebesturing	EE21	1. Compressor werkt niet 2. Verkeerd programma 3. Onzuiverheid in de compressor veroorzaakt de onstabiele rotatiesnelheid	1. Controleer het moederbord of verander een nieuw board 2. Voer het juiste programma in
Stroomdetectiekringfout	EE22	1. Spanningssignaal abnormaal 2. Driver board is beschadigd 3. Moederbordfout	1. Wijzig een nieuw moederbord 2. Wijzig een nieuw bestuurdersbord
Compressorstartfout	EE23	1. Hoofdbord is beschadigd 2. Compressor bedradingsfout of slecht contact of niet verbonden 3. Vloeistofophoping binnen 4. Verkeerde fase verbinding voor compressor	1. Controleer het moederbord of verander een nieuw board 2. Controleer de bedrading van de compressor volgens het schakelschema Controleer de compressor of wijzig een nieuwe
Apparaatstoring in omgevingstemperatuur op stuurkaart	EE24	Apparaatstoring bij omgevingstemperatuur	Wijzig driverbord of hoofdbord
Defect compressorfase	EE25	Compressoren U, V, W zijn verbonden met één fase of twee fasen.	Controleer de feitelijke bedrading volgens het schakelschema
EEPROM-gegevens lezen storing	EE27	1. Wrong EEPROM-gegevens in het programma of mislukte invoer van EEPROM-gegevens 2. Fout met moederbord	1. Voer de juiste EEPROM-gegevens opnieuw in 2. Wijzig een nieuw hoofdbord
De inter-chip communicatiefout op de hoofdbesturingskaart	EE28	Hoofdbordfout	1. Schakel de stroomtoevoer uit en start deze opnieuw op 2. Wijzig een nieuw hoofdbord

Opmerkingen:

1. In de verwarmingsmodus, als de wateruittredetemperatuur hoger is dan de ingestelde temperatuur boven $7\text{ }^{\circ}\text{C}$, geeft de LED-controller EE04 weer voor bescherming tegen oververhitting van het water.



EE04 Bescherming tegen oververhitting van water

Bijvoorbeeld hieronder:

Mode	Water uit temperatuur	Temperatuur instellen	Staat	Storing
Verwarmingsmodus	36°C	29°C	$T_{out} - T_{set} \cong 7^{\circ}\text{C}$	EE04 Oververhittingsbeveiliging voor watertemperatuur (d2-TH5)

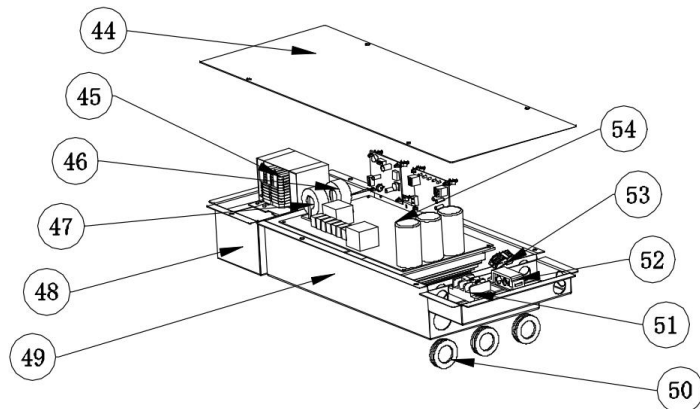
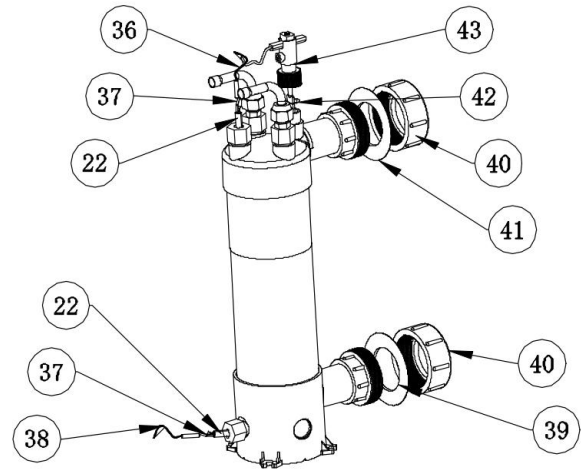
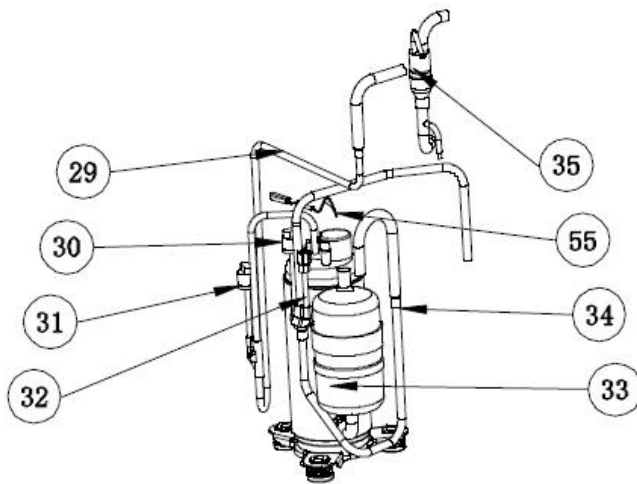
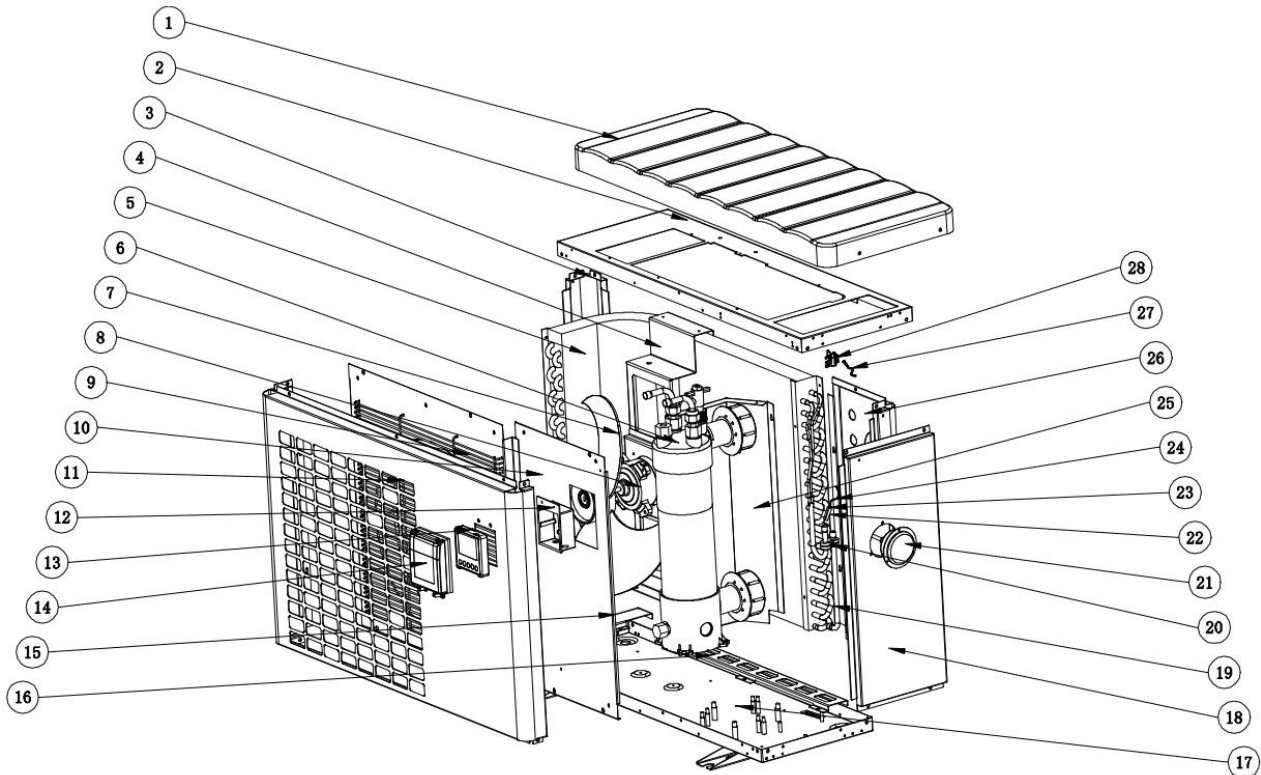
7.2 Andere fouten en oplossingen (Geen verschijning op LED draad controller)

Storingen	Observering	Redenen	Oplossing
Warmtepomp werkt niet	LED draadcontroller geen verschijning.	Geen stroomvoorziening	Check cable and circuit breaker if it is connected
	LED draad controller toont de actuele tijd.	Warmtepomp in stand-by status	Startup heat pump to run.
	LED draad controller toont de actuele watertemperatuur.	<ol style="list-style-type: none"> 1. Watertemperatuur bereikte ingestelde waarde, HP onder constante temperatuur status. 2. Warmtepomp begint net te lopen. 3. Onder ontdooien. 	<ol style="list-style-type: none"> 1. Controleer watertemperatuur instelling. 2. Start warmtepomp na een paar minuten. 3. LED draadcontroller moet vertonen "ontdooien".
Korte looptijd	LED toont actuele watertemperatuur, er verschijnt geen fout code.	<ol style="list-style-type: none"> 1. Ventilator draait NIET. 2. Luchtventilator hij is niet genoeg. 3. Niet genoeg koelmiddel. 	<ol style="list-style-type: none"> 1. Controleer de kabelverbindingen tussen de motor en ventilator, wanneer nodig, moet het vervangen worden. 2. Controleerlocatie van het warmtepomp apparaat, en elimineer alle obstakels om een goede luchtventilatie mogelijk te maken. 3 Vervang of repareer het warmtepomp apparaat.
Water vlekken	Water vlekken op warmtepomp apparaat.	<ol style="list-style-type: none"> 1. Betonneren. 2. Water lekkage. 	<ol style="list-style-type: none"> 1. Geen actie. 2. Controleer de titanium warmtewisselaar zorgvuldig of het defect is.
Te veel ijs op de verdamper	Te veel ijs op de verdamper.		<ol style="list-style-type: none"> 1. Controleer de locatie van het warmtepomp apparaat, en elimineer alle obstakels om een goede lucht ventilatie mogelijk te maken. 2. Vervang of repareer het warmtepomp apparaat.

8. Open geklapt diagram

8. 1 Open geklapt diagram

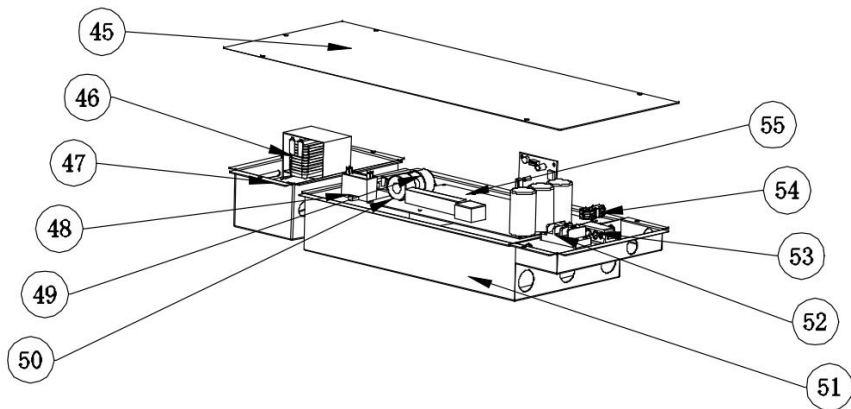
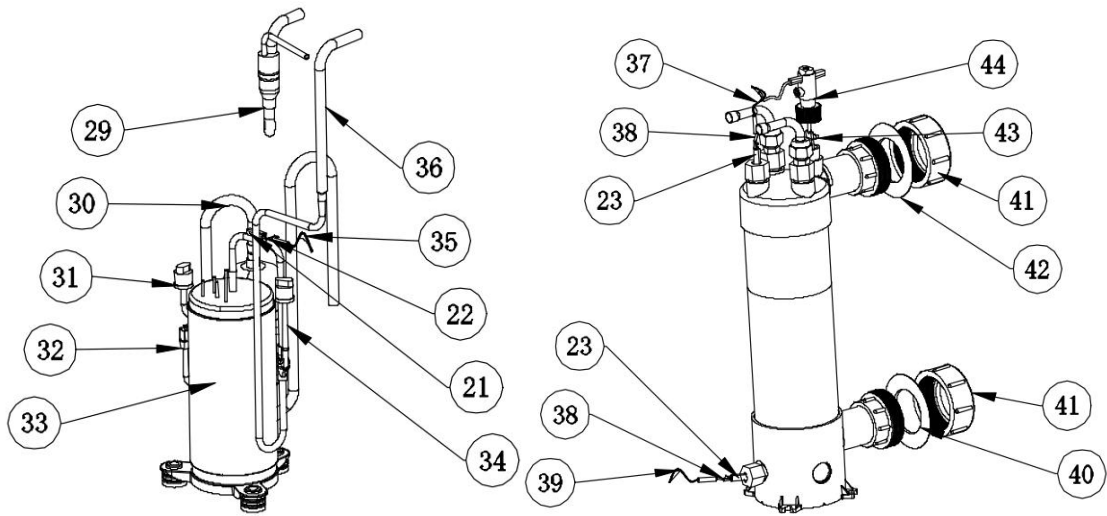
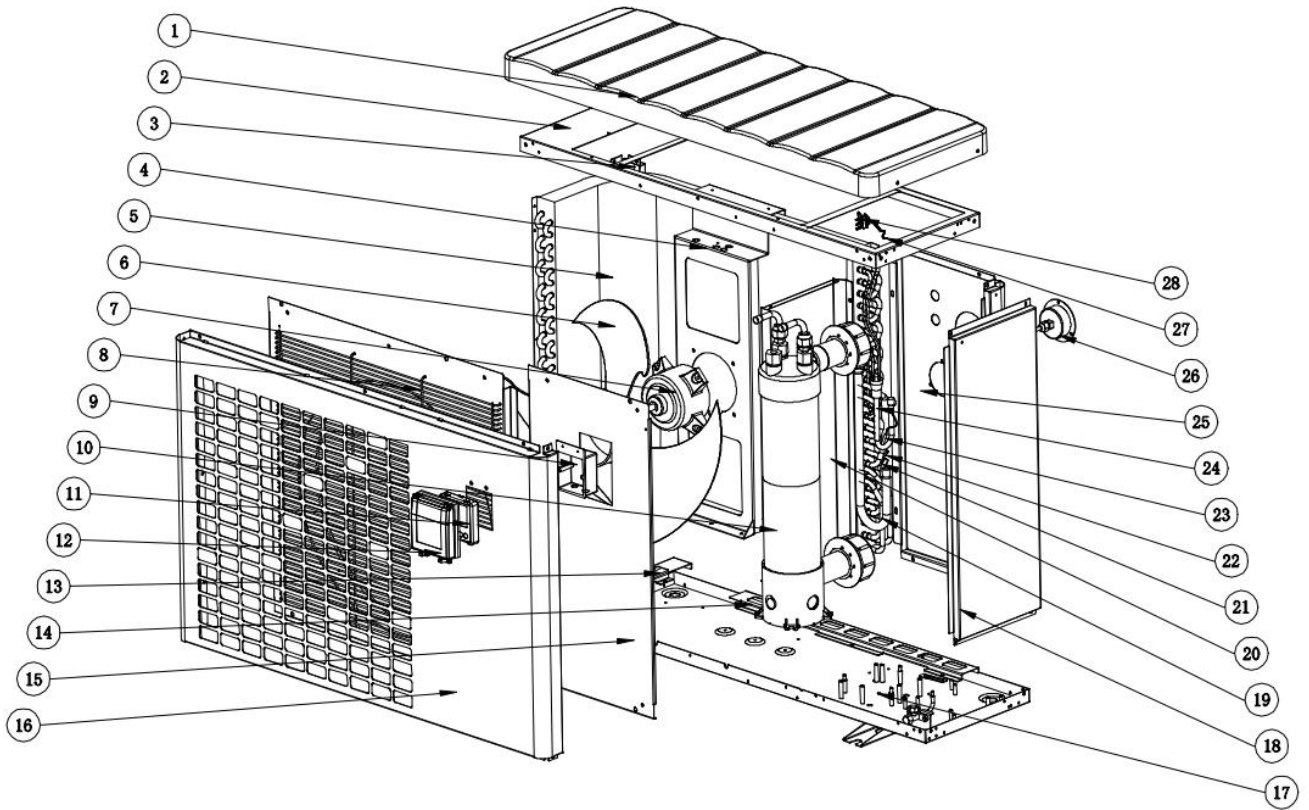
Model:VSP-10



Spare parts list: VSP-10

NO	ERP	Spare parts	NO	ERP	Spare parts
1	133340015	Bovenklep	29	113020611	Uitlaat
2	108830029	Bovenframe	30	112100046	Lagedrukschakelaar
3	108830055	Pijler	31	112100030	Hogedrukschakelaar
4	108830006	Ventilatormotorbeugel	32	120000098	Gas klep
5	103000271	Verdamper	33	101000221	Compressor
6	102040856	Titanium warmtewisselaar	34	113020565	Gas retourleidingen
7	113600007	Waaierblad	35	113090091	Wisselaar naar capillair
8	112000041	Ventilatormotor	36	117110012	Water in temp. sensor TH6
9	108830057	Frontpaneel montage	37	108010025	Wisselaar sensor temperatuursensor
10	108830024	Onderhoudspaneel	38	117110011	Water uit temp. Sensor TH5
11	108830060	Voorpaneel	39	133020011	Blauwe rubberen ring
12	133030011	Controllerkast	40	113900082	Wateraansluitsets
13	117020244	Controller	41	133020012	Rode rubberen ring
14	113712007	Controller deksel	42	133020026	Rubberring op wateraansluiting
15	108830004	Verdamper pad	43	112100021-1	Waterstroomschakelaar
16	108830005	Verdamper pad	44	108830031	Elektrische deksel
17	108830017	Basislade	45	117230003	Reactor
18	108830059	Rechter paneel	46	117240002	Magneetring
19	103000271	Collectieve leidingen	47	117240003	Magneetring
20	136020018	Rubber	48	108830026	Reactor doos
21	106000011	Manometer	49	108830030	Elektrische doos
22	113190001	Klem	50	136020119	Rubberen ring
23	113190007	Sensorhuispijp	51	115000002	3-zits terminal
24	117110004	Pijp temp. Sensor TH2	52	136010004	Klem
25	108830003	Isolatiepaneel	53	115000060	2-zits terminal
26	108830056	Achterpaneel	54	117100069	PCB
27	117110020	Omgevingstemp. sensor TH1	55	117110021	Uitlaat temp. Sensor TH3
28	133020010	Omgevingstemp. sensor clip			

Model: VSP-12 / VSP-15 / VSP-17



Spare parts list: VSP-12

NO	ERP	Spare parts	NO	ERP	Spare parts
1	133300019	Bovenklep	29	113090087	Wisselaar naar capillair
2	108790071	Bovenframe	30	113020544	Gas retourleidingen
3	108790107	Pijler	31	112100046	Lagedrukschakelaar
4	108790027	Ventilatormotorbeugel	32	120000097	Gas klep
5	103000283	Verdamper	33	101000222	Compressor
6	132000015	Waaierblad	34	112100030	Hogedrukschakelaar
7	112000031	Ventilatormotor	35	117110021	Uitlaat temp. Sensor d6-TH3
8	108790127	Frontpaneel montage	36	113010392	Uitlaat
9	133030011	Controllerkast	37	117110012	Water in temp. sensor d1-TH6
10	102040861	Titanium warmtewisselaar	38	108010025	Wisselaar sensor temperatuursensor
11	117020244	Controller	39	117110011	Water uit temp. Sensor d2-TH5
12	113712007	Controller deksel	40	133020011	Blauwe rubberen ring
13	108790025	Verdamper pad	41	113900082	Wateraansluitsets
14	108790026	Verdamper pad	42	133020012	Rode rubberen ring
15	108790081	Onderhoudspaneel	43	133020026	Rubberring op wateraansluiting
16	108790106	Voorpaneel	44	112100021-1	Waterstroomschakelaar
17	108790101	Basislade	45	108790072	Elektrische deksel
18	108790109	Rechter paneel	46	117230003	Reactor
19	103000283	Collectieve leidingen	47	108790073	Reactor doos
20	108790024	Isolatiepaneel	48	111000006	Ventilatorcondensator
21	113190001	Klem	49	117240002	Magneetring
22	113190007	Sensorhuispijp	50	117240003	Magneetring
23	117110004	Pijp temp. Sensor d5-TH2	51	108790075	Reactor doos
24	103000283	Leidingen voor distributie	52	115000002	3-zits terminal
25	108790108	Achterpaneel	53	136010004	Klem
26	106000011	Manometer	54	115000060	2-zits terminal
27	117110020	Omgevingstemp. sensor d3-TH1	55	117100069	PCB
28	133020010	Omgevingstemp. sensor clip			

Spare parts list: VSP-15

NO	ERP	Spare parts	NO	ERP	Spare parts
1	133300019	Bovenklep	29	113090087	Wisselaar naar capillair
2	108790071	Bovenframe	30	113020544	Gas retourleidingen
3	108790107	Pijler	31	112100046	Lagedrukschakelaar
4	108790027	Ventilatormotorbeugel	32	120000097	Gas klep
5	103000290	Verdamper	33	101000222	Compressor
6	132000015	Waaierblad	34	112100030	Hogedrukschakelaar
7	112000031	Ventilatormotor	35	117110021	Uitlaat temp. Sensor d6-TH3
8	108790127	Frontpaneel montage	36	113010392	Uitlaat
9	133030011	Controllerkast	37	117110012	Water in temp. sensor d1-TH6
10	102040865	Titanium warmtewisselaar	38	108010025	Wisselaar sensor temperatuursensor
11	117020244	Controller	39	117110011	Water uit temp. Sensor d2-TH5
12	113712007	Controller deksel	40	133020011	Blauwe rubberen ring
13	108790025	Verdamper pad	41	113900082	Wateraansluitsets
14	108790026	Verdamper pad	42	133020012	Rode rubberen ring
15	108790081	Onderhoudspaneel	43	133020026	Rubberring op wateraansluiting
16	108790106	Voorpaneel	44	112100021-1	Waterstroomschakelaar
17	108790101	Basislade	45	108790072	Elektrische deksel
18	108790109	Rechter paneel	46	117230003	Reactor
19	103000290	Collectieve leidingen	47	108790073	Reactor doos
20	108790024	Isolatiepaneel	48	111000006	Ventilatorcondensator
21	113190001	Klem	49	117240002	Magneetring
22	113190007	Sensorhuispijp	50	117240003	Magneetring
23	117110004	Pijp temp. Sensor d5-TH2	51	108790074	Reactor doos
24	103000290	Leidingen voor distributie	52	115000002	3-zits terminal
25	108790108	Achterpaneel	53	136010004	Klem
26	106000011	Manometer	54	115000060	2-zits terminal
27	117110020	Omgevingstemp. sensor d3-TH1	55	117100065	PCB
28	133020010	Omgevingstemp. sensor clip			

Spare parts list: VSP-17

NO	ERP	Spare parts	NO	ERP	Spare parts
1	133300019	Bovenklep	29	113090087	Wisselaar naar capillair
2	108790071	Bovenframe	30	113020581	Gas retourleidingen
3	108790107	Pijler	31	112100046	Lagedrukschakelaar
4	108790027	Ventilatormotorbeugel	32	120000097	Gas klep
5	103000291	Verdamper	33	101000181	Compressor
6	132000015	Waaierblad	34	112100030	Hogedrukschakelaar
7	112000031	Ventilatormotor	35	117110021	Uitlaat temp. Sensor d6-TH3
8	108790127	Frontpaneel montage	36	113020625	Uitlaat
9	133030011	Controllerkast	37	117110012	Water in temp. sensor d1-TH6
10	102040999	Titanium warmtewisselaar	38	108010025	Wisselaar sensor temperatuursensor
11	117020244	Controller	39	117110011	Water uit temp. Sensor d2-TH5
12	133020061	Controller deksel	40	133020011	Blauwe rubberen ring
13	108790025	Verdamper pad	41	102050004	Wateraansluitsets
14	108790026	Verdamper pad	42	133020012	Rode rubberen ring
15	108790081	Onderhoudspaneel	43	133020026	Rubberring op wateraansluiting
16	108790106	Voorpaneel	44	112100021-1	Waterstroomschakelaar
17	108790093	Basislade	45	108790072	Elektrische deksel
18	108790109	Rechter paneel	46	117230003	Reactor
19	103000291	Collectieve leidingen	47	108790073	Reactor doos
20	108790024	Isolatiepaneel	48	111000006	Ventilatorcondensator
21	113190001	Klem	49	117240002	Magneetring
22	113190007	Sensorhuispijp	50	117240003	Magneetring
23	117110004	Pijp temp. Sensor d5-TH2	51	108790074	Reactor doos
24	103000291	Leidingen voor distributie	52	115000002	3-zits terminal
25	108790108	Achterpaneel	53	136010004	Klem
26	106000011	Manometer	54	115000060	2-zits terminal
27	117110020	Omgevingstemp. sensor d3-TH1	55	117100065	PCB
28	133020010	Omgevingstemp. sensor clip			

9. Onderhoud

- (1) U moet het water voorziening systeem regelmatig controleren om te voorkomen dat lucht het systeem binnentreedt en lage water doorvoer voorkomen, omdat het de prestaties en betrouwbaarheid van het HP apparaat kan verminderen.
- (2) Reinig uw zwembaden en filter systeem regelmatig om schade aan het apparaat te vermijden als een resultaat van een vuil of verstopt filter.
- (3) In omgekeerde manier, moet u controleren dat het apparaat volledig met water gevuld is voordat u het apparaat weer opnieuw opstart.
- (4) Nadat het apparaat gereedgemaakt is voor het winterseizoen, is het beter om het te beschermen met een speciale winter verwarming pomp.
- (5) Wanneer het apparaat werkt, is er de gehele tijd een klein water verlies onder het apparaat.
- (6) Tap het water in de warmtepomp altijd af tijdens de winter of wanneer de omgevingstemperatuur onder 0 °C daalt, anders raakt de titaniumwisselaar beschadigd door bevriezing. In dat geval vervalt uw garantie.

Waarschuwing!

- Voordat u onderhoudswerkzaamheden aan het apparaat uitvoert, moet u de stroomtoevoer onderbreken, aangezien er een risico op elektrische schokken bestaat, wat materiële schade, ernstig letsel of zelfs de dood kan veroorzaken.
- Het wordt aanbevolen dat het apparaat ten minste eenmaal per jaar een algemeen onderhoud ondergaat om de goede werking te garanderen, de prestaties te handhaven en eventuele storingen te voorkomen. Deze handelingen worden op kosten van de gebruiker uitgevoerd door een gekwalificeerde technicus. Voor onderhoud uitgevoerd door een gekwalificeerde technicus.
- voor onderhoud dat moet worden uitgevoerd door een gekwalificeerde technicus, leest u de veiligheidsinstructies op de vorige pagina's in het hoofdstuk "onderhoud: waarschuwingen voor apparaten die R32-koelmiddel bevatten" voordat u een van de hieronder beschreven onderhoudswerkzaamheden uitvoert.


VSP INVERTER +7°C

Manual do usuário e serviço

INDEX

1. Especificações
2. Dimensão
3. Instalação e conexão
4. Acessórios
5. Cablagem eléctrica
6. Operação do controlador
7. Resolução de problemas
8. Diagrama Explodido
9. Manutenção

Obrigado por usar nossa bomba de calor na piscina para o aquecimento da piscina, aquecerá a água da sua piscina e manterá a temperatura constante quando a temperatura ambiente do ar estiver compreendida entre +7 a 43 °C.

 **ATENÇÃO:** Este manual inclui todas as informações necessárias para a utilização e instalação da sua bomba de calor.

O instalador deve ler o manual e seguir atentamente as instruções de implementação e manutenção. Guarde e transmita este manual para uso posterior durante a vida útil do aparelho.

O instalador é responsável pela instalação do produto e deve seguir todas as instruções do fabricante e os regulamentos em aplicação. A instalação incorrecta em desacordo com o manual implica a exclusão da totalidade da garantia.

O fabricante declina qualquer responsabilidade pelos danos causados a pessoas, objectos e erros devidos à instalação que desobedeça à orientação manual. Qualquer utilização que não esteja em conformidade na origem da sua fabricação será considerada como perigosa.

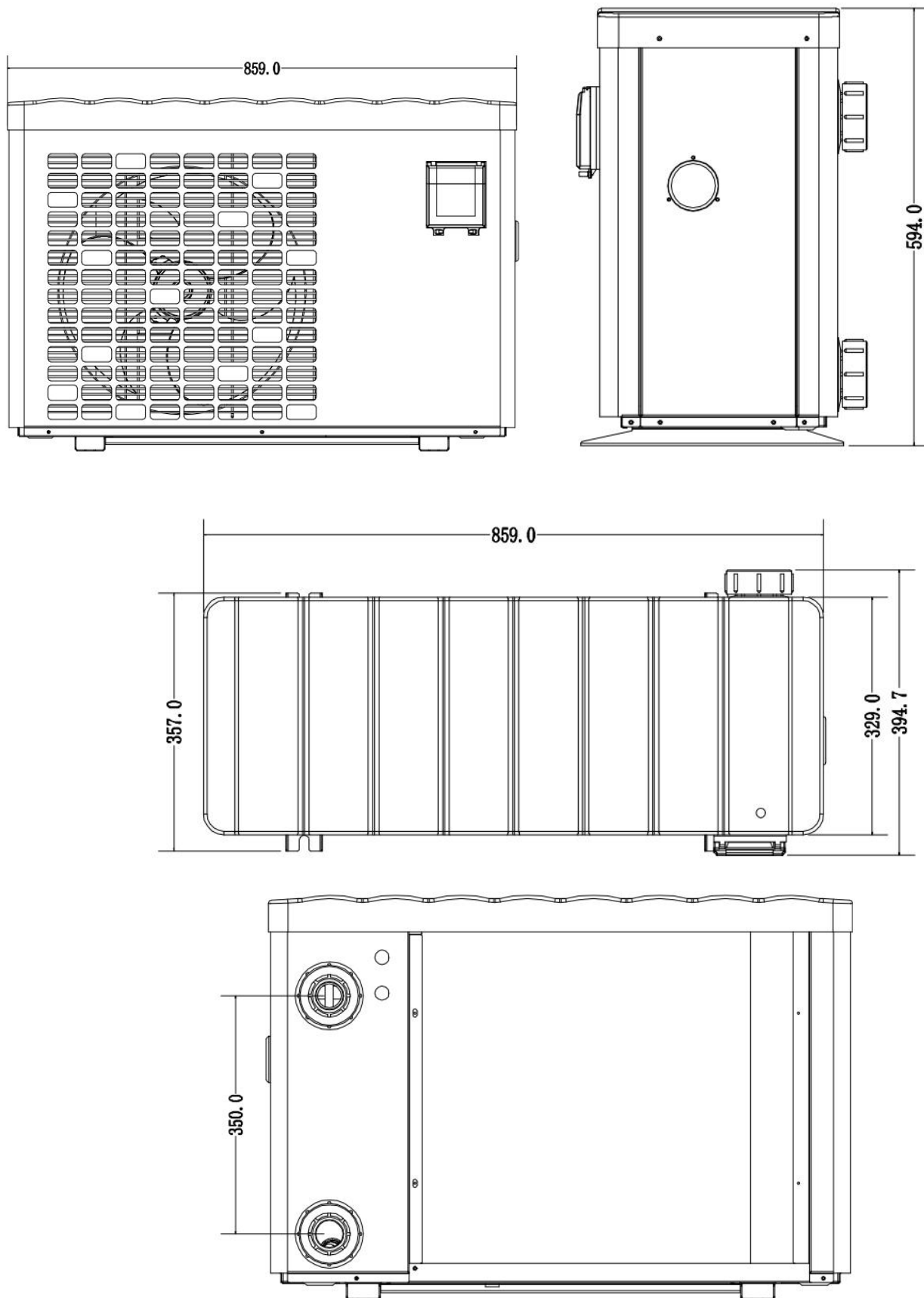
1. Especificações

1.1 Dados técnicos

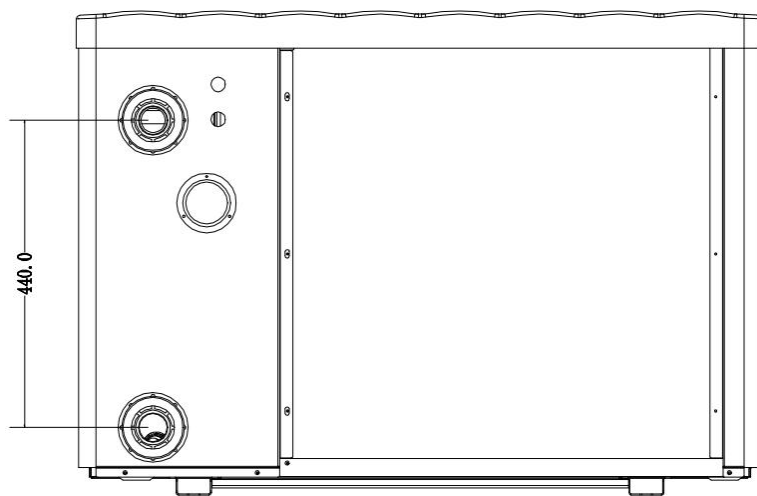
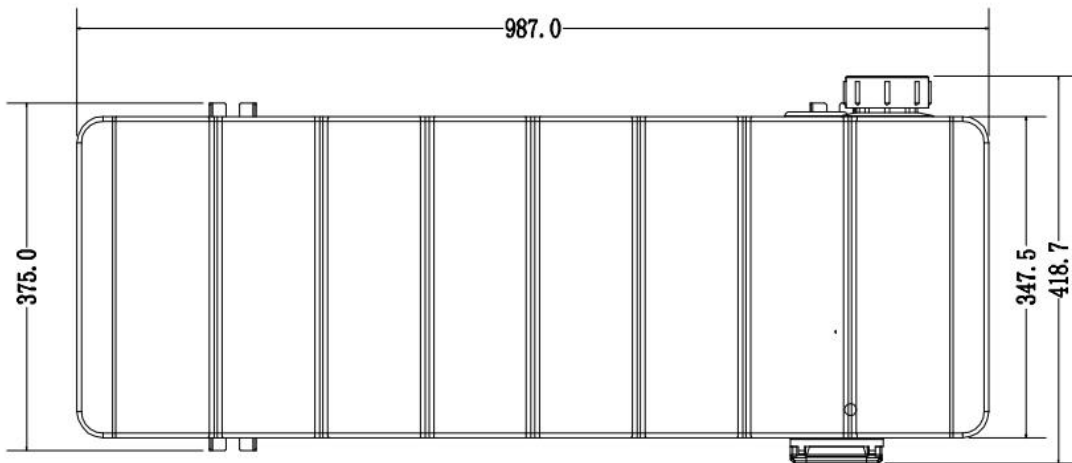
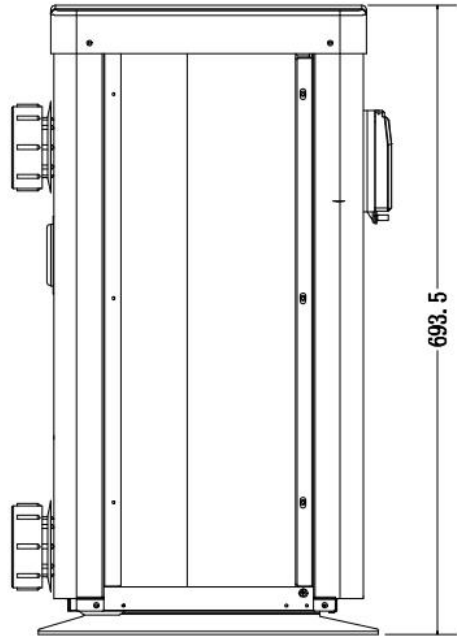
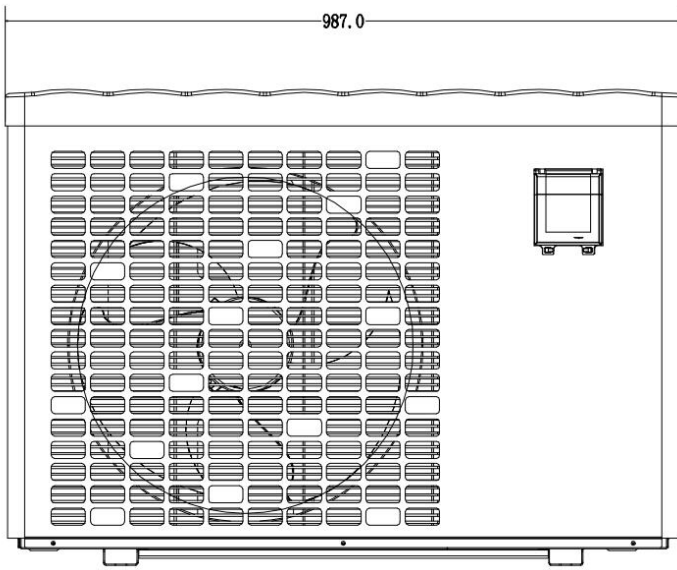
Modelo		74148	74149	74150	74151
Código		VSP-10	VSP-12	VSP-15	VSP-17
* Desempenho no ar 28 °C, água 28 °C, umidade 80%					
Saída de calor	kW	10-2.3	12-2.9	15-3.2	17-3.8
Entrada de energia	kW	1.55-0.14	1.77-0.18	2.26-0.2	2.67-0.23
C.O.P.		16-6.5	16-6.8	16-6.6	16-6.4
* Desempenho no ar 15 °C, água 26 °C, umidade 70%					
Saída de calor	kW	7-1.9	8.5-2	10-2.2	12-3
Entrada de energia	kW	1.43-0.27	1.72-0.28	2.07-0.31	2.43-0.42
C.O.P.		7.1-4.9	7.2-4.9	7.2-4.8	7.2-4.9
*Dados gerais					
Tipo de compressor		Compressor inversor			
Voltagem	V	220~240V / 50Hz /1PH			
Corrente nominal	A	6.9	7.9	10.0	11.8
Fusível mínimo	A	10	12	15	18
Aconselhou o fluxo de água	m ³ /h	2.8	3.7	4.0	4.6
Queda de pressão de água	Kpa	12	14	15	15
Trocador de calor		Tubo Twist-titanium em PVC			
Conexão de água	mm	50			
Fan quantity		1			
Tipo de ventilação		Horizontal			
Nível de ruído (10m)	dB(A)	22-34	23-35	23-37	24-37
Nível de ruído (1 m)	dB(A)	40-52	40-52	40-54	41-54
Quantidade de refrigerante (R32)	g	650	700	1000	1100
Equivalente de CO2	Tonne	0.44	0.47	0.68	0.74
* Dimension/ Weight					
Peso líquido	kg	56	68	73	78
Peso bruto	kg	68	73	78	83
Dimensão net	mm	859*394.7*594	987*418.7*693.5		
Dimensão da embalagem	mm	890*425*630	1015*445*715		
* Os dados acima estão sujeitos a modificação sem aviso prévio.					

2. Dimensão (mm)

Modelo: VSP-10



Modelo:VSP-12 & VSP-15 & VSP-17



3. Instalação e conexão

ATENÇÃO:

Por favor, observe as seguintes regras ao instalar a bomba de calor:

1. Qualquer adição de produtos químicos deve ocorrer na tubulação localizada a jusante da bomba de calor.
2. Instale sempre a bomba de calor numa base sólida e monte sempre as bases anti vibração fornecidas, para evitar vibrações e ruídos.
3. Movimente sempre a bomba de calor na posição vertical. Se a unidade foi mantida em ângulo, espere pelo menos 24 horas antes de ligar a bomba de calor.

3.1 Localização da bomba de calor

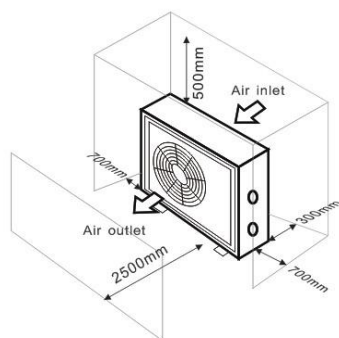
A unidade funcionará corretamente em qualquer local desejado, desde que os três itens seguir estejam presentes:

1. Ar fresco
2. Electricidade
3. Filtros de piscina

A unidade pode ser instalada em praticamente qualquer local no exterior, desde que as distâncias mínimas especificadas a objectos adjacentes sejam mantidas (consulte o desenho abaixo). Por favor, consulte o seu instalador para instalação numa piscina interior. A instalação em um local ventoso não apresenta qualquer problema, ao contrário da situação com um aquecedor a gás (incluindo problemas com chama do piloto).

ATENÇÃO: Nunca instale a unidade numa sala fechada com um volume de ar limitado, no qual o ar expulso da unidade será reutilizado, ou próximo a arbustos que possam bloquear a entrada de ar. Tais locais prejudicam o fornecimento contínuo de ar fresco, resultando em eficiência reduzida e, possivelmente, impedindo a produção de calor suficiente.

Veja o desenho abaixo para dimensões mínimas.

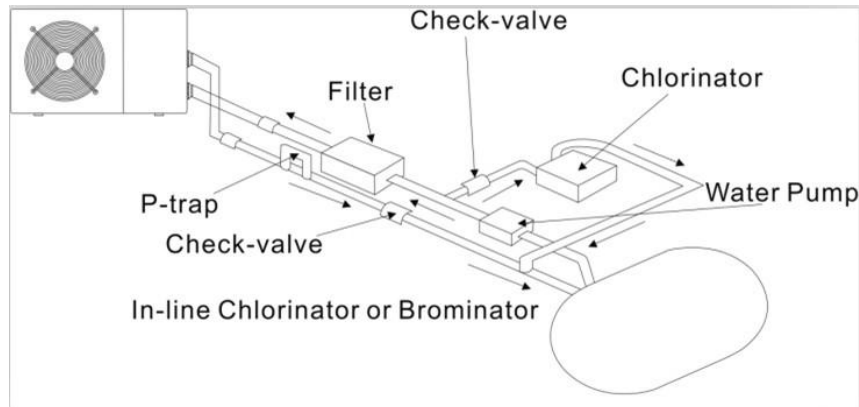


3.2 Conexão da válvula de retenção

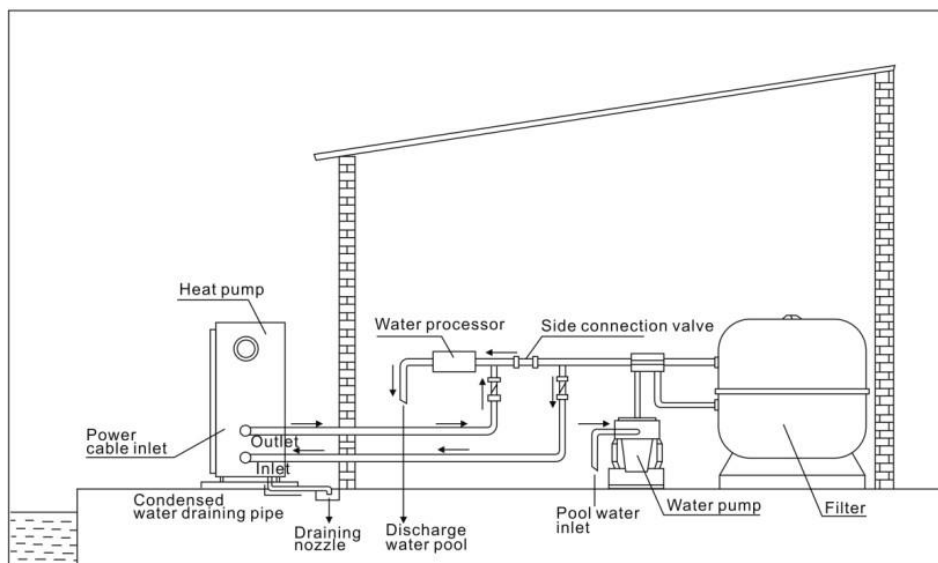
NOTE

Nota: Se for utilizado equipamento de dosagem automática para cloro e acidez (pH), é essencial proteger a bomba de calor contra concentrações químicas excessivamente elevadas que possam corroer o permutador de calor. Por este motivo, equipamentos deste tipo devem sempre ser instalados na tubulação no lado a jusante da bomba de calor, e recomenda-se a instalação de uma válvula de retenção para evitar o fluxo reverso na ausência de circulação de água.

Danos à bomba de calor causados pela não observação desta instrução não são cobertos pela garantia.



3.3 Arranjo típico

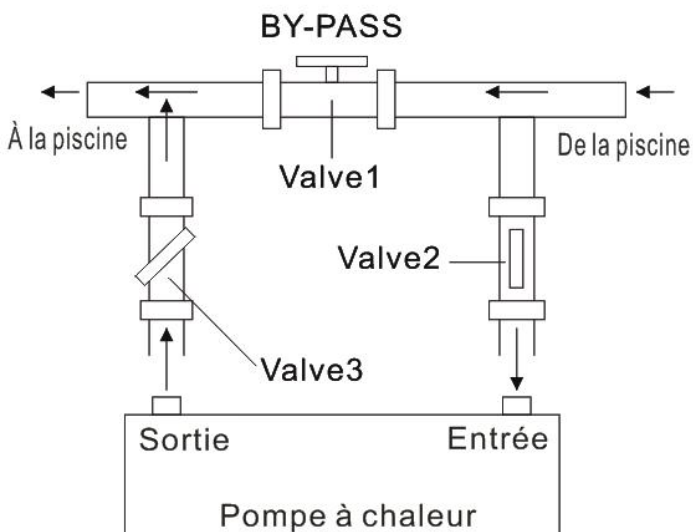


Nota: Este arranjo é apenas um exemplo ilustrativo.

NOTE

A fábrica fornece apenas a bomba de calor. Todos os outros componentes, incluindo um bypass, se necessário, devem ser fornecidos pelo usuário ou pelo instalador.

3.4 Ajustar o bypass



Por favor, siga as etapas abaixo para ajustar o by-pass:

1. Válvula 1 de largura aberta. Válvula 2 e válvula 3 fechadas.
2. Abra lentamente a válvula 2 e a válvula 3 pela metade, depois feche a válvula 1 lentamente para aumentar o fluxo de água para a válvula 2 e a válvula.
3. Se mostra 'ON' ou 'EE3' em exibição, significa que o fluxo de água na bomba de calor não é suficiente, então você precisa ajustar as válvulas para aumentar o fluxo de água através da bomba de calor.

Como obter o melhor fluxo de água:

Por favor, ative a bomba de calor sob a função de aquecimento, primeiro feche o by-pass e abra-o lentamente para iniciar a bomba de calor (a máquina não pode começar a funcionar quando o fluxo de água é insuficiente).

3.5 Ligação eléctrica

Nota: Embora a bomba de calor seja isolada electricamente do resto do sistema de piscina, isto só impede o fluxo de corrente eléctrica para ou da água na piscina. A aterramento ainda é necessária para proteção contra curto-circuitos dentro da unidade. Sempre forneça uma boa ligação à terra.

Aviso: Antes de qualquer trabalho dentro do aparelho, você deve cortar o fornecimento de eletricidade do aparelho, pois existe o risco de choque eléctrico que pode causar danos materiais, ferimentos graves ou até a morte.

- Terminais apertados incorretamente podem fazer com que a caixa de terminais aqueça, o que pode invalidar a garantia.
- Apenas um técnico qualificado e experiente está autorizado a efectuar trabalhos de cablagem dentro do aparelho ou a substituir o cabo de alimentação.

3.6 Proteção eléctrica

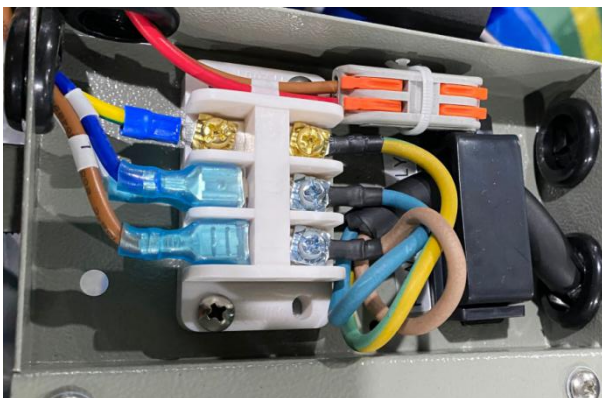
O fornecimento de energia para a bomba de calor, deve vir preferencialmente, de um circuito eléctrico exclusivo, com componentes de proteção regulamentados (proteção diferencial 30mA) e um interruptor magneto-térmico.

- A instalação eléctrica deve ser realizada por profissional especializado (eletricista com carteira profissional) de acordo com as normas e regulamentos vigentes no país de instalação.

- O circuito da bomba de calor deve ser conectado a um circuito de aterramento de segurança no bloco de terminais.
- Os cabos devem ser instalados corretamente para evitar interferência.
- Pressupõe-se que a bomba de calor seja ligada a uma fonte de alimentação geral com conexão à terra.
- Seção do cabo; Esta seção é indicativa e deve ser verificada e adaptada de acordo com as necessidades e condições de uso.
- A tolerância da variação de tensão aceitável é de +/- 10% durante o funcionamento.

As conexões devem ser dimensionadas de acordo com a potência do dispositivo e o estado do instalação.


⚠ Esses valores são fornecidos a título indicativo, somente a intervenção de um técnico autorizado pode determinar os valores correspondentes à sua instalação. A linha elétrica deve ser equipada com uma conexão à terra e com um disjuntor diferencial de 30mA na cabeça.



3.7 Operação inicial

Nota: Para aquecer a água da piscina (ou banheira de água quente), a bomba do filtro deve estar em funcionamento para fazer com que a água circule pela bomba de calor. A bomba de calor não iniciará se a água não estiver circulando.

Após todas as conexões terem sido feitas e verificadas, execute o seguinte procedimento:

1. Ligue a bomba do filtro. Verifique se há vazamentos e se a água está a circular, de e para, a piscina.
2. Conecte a energia à bomba de calor e pressione o botão On / Off no painel  de controle eletrônico. A unidade será iniciada após o tempo de atraso de inicialização (veja abaixo).
3. Depois de alguns minutos, verifique se o ar que sai da unidade está mais frio.

4. Quando desligar a bomba do filtro, a unidade também deve desligar automaticamente, se não desligar será necessário afinar o interruptor de fluxo.
5. Deixe a bomba de calor e a bomba do filtro funcionarem 24 horas por dia, até atingir a temperatura desejada da água. A bomba de calor irá parar de funcionar neste ponto + 1 ° C. Depois disso, reiniciará automaticamente (desde que a bomba do filtro esteja funcionando) sempre que a temperatura da água da piscina cair 1 grau abaixo da temperatura definida (por exemplo, se você definir a temperatura a 28 ° C, a bomba de calor temperatura a 29 ° C. Enquanto ele vai reiniciar quando a temperatura da água até 27 ° C).

Dependendo da temperatura inicial da água na piscina e da temperatura do ar, pode levar vários dias para aquecer a água até à temperatura desejada. Uma boa cobertura de piscina pode reduzir drasticamente o tempo necessário.

 **NOTA**

Interruptor de fluxo de água:

Está equipado com um interruptor de fluxo para proteger a unidade HP com uma taxa de fluxo de água adequada. Ele liga quando a bomba da piscina funciona e desliga quando a bomba é desligada.

Tempo de atraso - A bomba de calor tem um atraso de inicialização de 3 minutos para proteger o circuito e evitar o desgaste excessivo dos contatos. A unidade será reiniciada automaticamente após esse tempo expirar. Mesmo uma

ATENÇÃO: Para aquecer a água da piscina (ou banheira de água quente), a bomba do filtro deve estar funcionando para fazer com que a água circule pela bomba de calor. A bomba de calor não iniciará se a água não estiver circulando.

breve interrupção de energia irá desencadear este atraso e impedir que a unidade reinicie imediatamente. Interrupções de energia adicionais durante este período de atraso não afetam a duração de 3 minutos do atraso.

3.8 Condensação

O ar aspirado para a bomba de calor é fortemente resfriado pela operação da bomba de calor para aquecimento da água da da piscina, o que pode causar condensação nas aletas do evaporador.

 **NOTA**

A quantidade de condensação pode ser tanto maior for a humidade relativa, (vários litros por hora em alta humidade relativa). O que por vezes pode ser erroneamente considerado como uma fuga água.

4. Acessórios

4.1 Lista de acessórios

 <p>Base anti-vibração, 4 pcs</p>	 <p>Jato de drenagem, 2 peças</p>	 <p>Caixa impermeável, 1 pc</p>
 <p>Capa de inverno, 1 pc</p>	 <p>Tubos de drenagem de água, 2 peças</p>	 <p>Fio do sinal de 10M, 1 PC</p>

4.2 Accessories Installation

	<p>Bases antivibração</p> <ol style="list-style-type: none">1. Retire 4 bases anti vibração2. Colocá-los um por um na parte inferior da máquina como a imagem.
---	--

	<p>Jato de drenagem</p> <ol style="list-style-type: none"> 1. Instale o jato de drenagem sob o painel inferior 2. Conecte com um cano de água para drenar a água. <p>Nota: Levante a bomba de calor para instalar o jato. Nunca derrube a bomba de calor, isso pode danificar o compressor.</p>
	<p>Entrada de água e junção de saída</p> <ol style="list-style-type: none"> 1. Use a fita de tubo para conectar a junção de entrada e saída de água na bomba de calor 2. Instale as duas juntas como mostra a imagem 3. Parafusá-los na entrada de água e junção de saída
	<p>Fiação do cabo</p> <ol style="list-style-type: none"> 1. Conecte o fio da fonte de alimentação através do orifício branco, como mostra a figura. 2. Fixe o outro lado nas juntas dentro da caixa elétrica.
	<p>Fiação da bomba de água</p> <ol style="list-style-type: none"> 1. Com o conector 1 e 2 você pode pilotar a filtragem de água através do temporizador da filtragem (contato seco)

4.3 Connection to the filtration pump

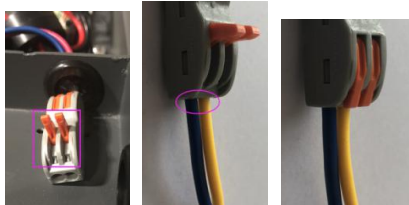
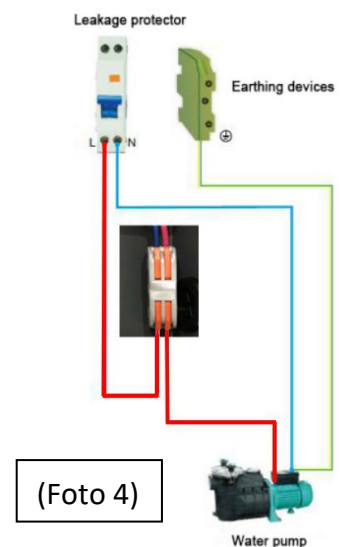


Foto 1

Foto 2

Foto 3

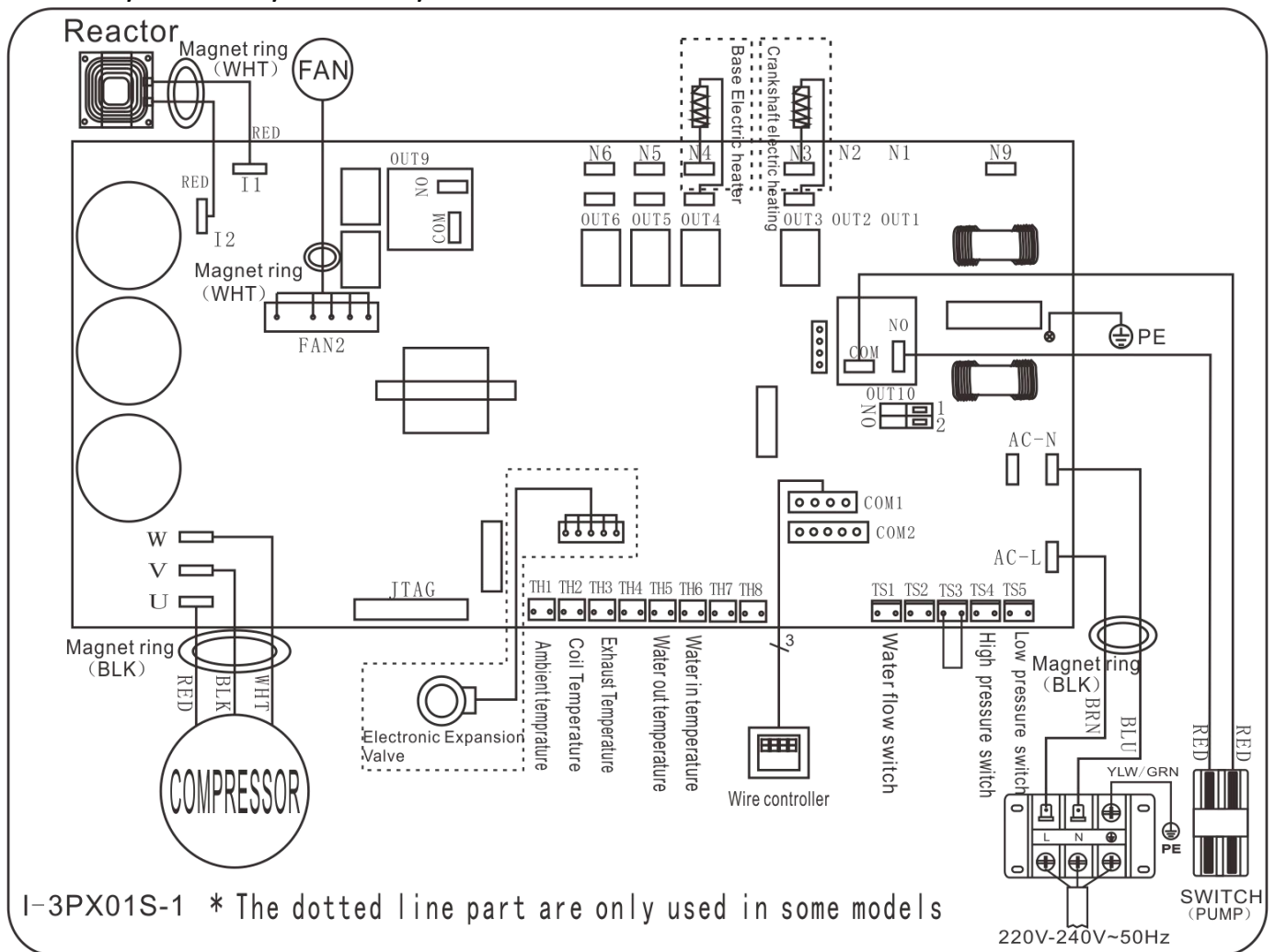
- Abra o botão para cima como (Foto 1)
- Conecte a fiação de contato seco através dos dois orifícios como (Foto 2 & Foto 4)
- Pressione o botão e aperte a fiação como (Foto 3)



5. Cablagem elétrica

5.1 DIAGRAMA DE FIAÇÃO DA BOMBA DE CALOR DA PISCINA

VSP-10 / VSP-12 / VSP-15 / VSP-17



NOTA:

(1) Acima do diagrama de fiação elétrica somente para sua referência, por favor a máquina sujeita postou o diagrama de fiação.

(2) A bomba de calor da piscina deve ser conectada bem fio terra, embora o trocador de calor da unidade é isolada eletricamente do resto da unidade. Arrastando a unidade ainda é necessária para protegê-lo contra curto-circuitos dentro da unidade. A colagem também é necessária.

(3) Recomenda-se que a bomba de filtração da piscina e a bomba de calor tenham fiação independente. Conectar a bomba da piscina à bomba de calor resultará no desligamento da filtragem assim que a água da piscina atingiu a temperatura. Somente conecte a bomba da piscina através da bomba de calor se você tiver uma bomba de piscina para aquecimento independente do sistema de filtragem da piscina.

Desligar: Os meios de desconexão (disjuntor, fusível ou fusível sem fusível) devem estar localizados à vista e facilmente acessíveis a partir da unidade. Esta é uma prática comum em bombas de calor comerciais e residenciais. Impede a remoção remota de energia de equipamentos desacompanhados e permite desligar a energia na unidade enquanto a unidade está sendo atendida.

5.3 Instalação do painel de controlo

Foto(1)



Foto(2)



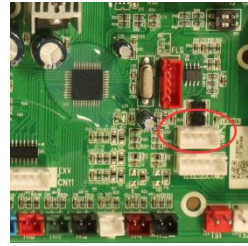
Foto(3)



Foto(4)



Foto(5)




- O lado com ficha liga-se ao painel de controlo (foto1)
- O outro lado do cabo de sinal. (foto2)
- Abra o painel dos terminais e coloque o lado sem plug através da caixa elétrica. (foto3,4)
- Insira a cablagem na posição designada na placa de circuito impresso. (código: COM 1 ou COM-L)(foto5)


6. Exibir operação do controlador, as chaves e suas operações





NOTA: Sempre que a bomba de calor se conecta à energia, o display LED mostra um código durante 3 segundos, que indica o modelo da bomba de calor.

6.1 botão

Pressione  para iniciar a unidade de bomba de calor, o display de LED mostra a temperatura da água desejada por 5 segundos, em seguida, mostra a temperatura da água de entrada e o modo de operação.



Pressione  para parar a unidade de bomba de calor e mostrar "OFF"

Aviso: Durante a verificação e configuração de parâmetros, pressione  para sair rapidamente e salvar a configuração atual.



Pressione  novamente para ligar / desligar a máquina.

6.2 e botão

Bloquear / desbloquear o visor:

Pressione simultaneamente  e  por 5 segundos para bloquear / desbloquear a tela.



Temperatura da água:

Pressione  ou  para definir a temperatura da água diretamente.

Temperatura da água. faixa de configuração no modo de aquecimento: 6-41 °C.




6.3 botão






Verificação de parâmetros:

Prima  primeiro e depois prima  para verificar o parâmetro s de utilizador de d0 a d11

Código	Condição	Escopo	Observação
d0	Temperatura do molde IPM	0-120°C	Valor real do teste
d1	Temperatura de Entrada de água.	-9°C ~ 99°C	Valor real do teste
d2	Temperatura de Saída de água.	-9°C ~ 99°C	Valor real do teste
d3	Temperatura ambiente.	-30°C ~ 70°C	Valor real do teste
d4	Código de limitação de frequência	0,1,2,4,8,16	Valor real do teste
d5	Temperatura do circuito	-30°C ~ 70°C	Valor real do teste
d6	Temperatura de exaustão do gás	0°C ~ C5°C (125°C)	Valor real do teste
d7	Etapa do EEV	0 ~ 99	N * 5
d8	Frequência de funcionamento do compressor	0 ~ 99Hz	Valor real do teste
d9	Corrente do compressor	0 ~ 30A	Valor real do teste
d10	Velocidade atual do ventilador	0-1200 (rpm)	Valor real do teste
d11	Último código de erro	Todo o código de erro	

Prima  primeiro e de seguida prima  para verificar os parâmetro do utilizador de P0 a P7

Se necessário, pressione  segunda e, em seguida, pressione  ou  para ajustar o parâmetro atual.

(por exemplo: Pressione  primeiro, depois pressione  para entrar na verificação do parâmetro P7, e pressione  segunda, depois pressione  ou  para ajustar o parâmetro P7 Temperatura da entrada da água. Correção de -9 a 9.)

Código	Nome	Range	Padrão	Observação
P0	Degelo manual	0-1	0	1 modo de descongelamento manual, 0 modo normal
P1	Modo de trabalho	1	1	1 modo de aquecimento
P2	Temporizador ON/OFF	0-1	0	1: Timer on/off está em função, 0: Timer on/off está fora de função (A configuração de P4 e P5 não funcionará)
P3	Bomba de circulação	0-1	0	1 sempre em funcionamento, 0 depende do funcionamento do compressor
P4	Hora atual	HH:MM	00:00	<u>0-23:0-59</u>
P5	Timer on	HH:MM	00:00	<u>0-23:0-59</u>
P6	Temporizador off	HH:MM	00:00	<u>0-23:0-59</u>
P7	Calibração da temp. De entrada de água.	-9~9	0	Configuração padrão: 0

NOTA: No modo de descongelação, P0 = 1.

Após o término do descongelamento, entrará automaticamente no modo Normal, P0 = 0.

6.4 Prioridade de aquecimento, opção de conexão

Opção 1: A bomba de água está relacionada com a operação da bomba de calor para iniciar ou parar.

A bomba de água começa a 60s antes do compressor, a bomba de água inicial 30s e depois detecta o fluxo de água. Antes de a bomba de calor entrar no modo de espera, o compressor para primeiro e após 5 minutos a bomba de filtragem para.

	Condição	Exemplo	Lógica de trabalho da bomba de água	
Modo de aquecimento	P3=0, T1≥Tset-0.5°C, dura 30 minutos	P3=0, T1≥27.5°C, dura 30 minutos	1. Em seguida, entra no modo de espera por 1 hora (não será reiniciado, exceto ativá-lo manualmente.)	2. Após 1 hora, a bomba de filtração será reiniciada por 5 minutos. Se o T1≤27 °C, a bomba de calor começará a funcionar até T1≥27,5 °C e durará 30 minutos para entrar em modo de espera

Opção 2; P3 = 1 A bomba de filtragem está sempre ligada, P2 = 0 a função do temporizador não está ativa

Sob a condição P3 = 1, quando T1 + Tset + 1 °C (T1≥29 °C) duram 3 minutos, a bomba de calor fica em modo de espera, enquanto a bomba de filtragem está sempre ligada.

Na opção 2, com ativação do cronômetro; P2 = 1 para iniciar e parar a bomba de filtragem de acordo com a programação de P4 (tempo), P5 (temporizador LIGADO) e P6 (temporizador DESLIGADO)

Se a bomba de calor for LIGADA / DESLIGADA manualmente, a bomba de filtragem iniciará e parará de acordo.

Condição para o início da bomba de calor, o temporizador ON é ativado;

Quando o temporizador atingir o tempo definido de TIMER ON, a bomba de filtragem será iniciada e após 5 minutos a bomba de calor será iniciada. A bomba de calor permanece parada se a temperatura da água for ≥ Tset + 1 °C, antes do TIMER OFF, a filtragem ainda está ativada.

Condição para parar a bomba de calor, o timer OFF é ativado;

Quando o temporizador atinge o tempo definido do TIMER OFF, a bomba de calor para e após 5 minutos a bomba de filtragem para.

NOTA: Tset = Tsetting temperatura da água

For example : Tset = 28°C Tsetting temperatura da água na sua bomba de calor da piscina

Tset-0.5 = less 0.5°C than Tsetting temperatura , Tset- 0.5 = 28-0.5=27.5°C

Tset+0.5= more 0.5°C than Tsetting temperatura , Tset+ 0.5 = 28+0.5=28.5°C

6.5 Função de reset do sistema

Pressione  e  em 10s, o sistema irá resetar e exibir “0000” no controlador.

6.6

Símbolo de aquecimento, a luz estará acesa quando estiver em operação.

Ao descongelar, a luz piscará.

6.7



Símbolo de parada automática, a luz estará acesa quando estiver em operação.

6.8



Símbolo de partida automática, a luz estará acesa quando estiver em operação.

6.9



Pressione o botão “Powerfull” , a luz ficará piscando, a bomba de calor operará somente em "Full output".

6.10



Se escolher “Smart”, a bomba de calor funcionará apenas em "Medium output" e "Full output"

Quando em "Saída média", a luz do Smart pisca.

Quando em ‘Full output’ , a luz Smart estará acesa e a luz de “Powerful” estará piscando.

7.4.11



Escolhendo o modo “Silent” , a bomba de calor irá operar apenas em “Medium output” e “Small output”

Quando em 'Small output', a luz do Silent piscará.

Quando em " Medium output ", a luz do “Silent” acende, e a luz do Smart ficará piscando.

7. Solução de problemas

7.1 Exibição de código de erro no controlador de fio de LED

Mau funcionamento	Erro de código	Razão	Solução
Falha no sensor de temperatura da água de entrada d1-TH6	PP01	1. Sensor em circuito aberto ou em c.circ. 2. O cabo do sensor está solto	1. Verifique ou mude o sensor 2.Reaperte cablagem dos sensores
Falha do sensor de temperatura da água de saída d2-TH5	PP02	1. Sensor em circuito aberto ou em c.circ. 2. O cabo do sensor está solto	1. Verifique ou mude o sensor 2.Reajuste a fiação dos sensores
Falha no sensor da tubulação de aquecimento d5-TH2	PP03	1. Sensor em circuito aberto ou em c.circ. 2. O cabo do sensor está solto	1. Verifique ou mude o sensor 2.Reajuste a fiação dos sensores
Falha do sensor de temperatura ambiente d3-TH1	PP05	1. Sensor em circuito aberto ou em c.circ. 2. O cabo do sensor está solto	1. Verifique ou mude o sensor 2.Reajuste a fiação dos sensores
Falha do sensor da tubulação de exaustão d6-TH3	PP06	1. Sensor em circuito aberto ou em c.circ. 2. O cabo do sensor está solto	1. Verifique ou mude o sensor 2.Reajuste a fiação dos sensores
Protecção anti congelamento no inverno	PP07	Temperatura ambiente ou temperatura de entrada de água é muito baixa	Protecção normal
Protecção - Baixa temperatura ambiente	PP08	1.Para além do âmbito de funcionamento 2. Anormalidade do sensor	1. Parar de usar, está para além do âmbito de funcionamento 2.Substituir o sensor

Mau funcionamento	Erro de código	Razão	Solução
Falha por alta pressão TS4	EE01	<ol style="list-style-type: none"> 1. A temperatura ambiente é muito alta 2. A temperatura da água é muito alta 3. O caudal de água é muito baixo <p>A velocidade do motor do ventilador é anormal ou o motor do ventilador está danificado</p>	<ol style="list-style-type: none"> 1. Verificar o fluxo de água e a bomba de circulação de água 2. Verificar o motor do ventilador 3. Verificar e reparar o sistema hidráulico
Falha de baixa pressão TS5	EE02	<ol style="list-style-type: none"> 1. A válvula electrónica de expansão (EEV) bloqueou, ou o sistema hidráulico está bloqueado. 2. A velocidade do motor é anormal ou o motor está danificado 3. Fuga de gás 	<ol style="list-style-type: none"> 1. Verificar o sistema de EEV e de tubulação Verifique o motor 2. Através do manómetro de alta pressão, verificar o valor da pressão
Falha de fluxo de água TS1	EE03 Or” ON”	<ol style="list-style-type: none"> 1. Interruptor de fluxo de água está danificado 2. Não existe caudal de água ou é insuficiente. 3. Interruptor de fluxo montado da maneira ruim. 	<ol style="list-style-type: none"> 1. Trocar o interruptor de fluxo de água 2. Verificar a bomba de água ou o sistema hidráulico 3. Verifique a posição do interruptor de fluxo de acordo com a direção do fluxo de água.
Protecção Sobreaquecimento temp. da água (d2-TH5) no modo de aquecimento	EE04	<ol style="list-style-type: none"> 1. Baixo fluxo de água 2. O interruptor de fluxo de água está bloqueado e/ou circuito hidráulico interrompido 3. Anomalia no sensor d2-TH5 	<ol style="list-style-type: none"> 1. Verificar o circuito hidráulico 2. Verificar a bomba de água e o estado do interruptor de fluxo de água 3. Verificar sensor de temp. d2-TH5 e se necessário substituir.
Protecção Sonda de temperatura de descarga d6-TH3 muito alta	EE05	<ol style="list-style-type: none"> 1. Falta de gás 2. Baixo fluxo de água 3. Pipingsystem foi bloqueado 4. Falha do sensor de Temp. de descarga. 	<ol style="list-style-type: none"> 1. Verificar o manómetro de alta pressão. Se estiver muito baixo, preencha com algum gás. 2. Verifique o sistema hidráulico e a bomba de água 3. Verificar se existe algum bloqueio 4. Substituir sensor de temp de descarga

Mau funcionamento	Erro de código	Razão	Solução
Falha do controlador	EE06	<p>1.Fios danificados ou conexões deficientes.</p> <p>2. Falha do controlador</p>	<p>1. Verificar e refazer as conexões dos cabos de sinal</p> <p>2. Substituir cabos de sinal</p> <p>3.Cortar a alimentação eléctrica e reinicie a máquina.</p> <p>4. Substituir o controlador</p>
Protecção – corrente do compressor	EE07	<p>1. Corrente do compressor é instantaneamente muito elevada.</p> <p>2. Conexão incorrecta para sequência de fase do compressor</p> <p>3.Acumulações de líquido e óleo no compressor levam aumento da corrente.</p> <p>4. Compressor ou placa de controlo danificados.</p> <p>5. O fluxo de água anormal</p> <p>6.Flutuações na alimentação dentro de um curto período de tempo</p>	<p>1. Verificar o compressor</p> <p>2. Verificar o sistema hidráulico</p> <p>3. Verificar se a alimentação está dentro do intervalo admissível.</p> <p>4. Verificar a conexão da sequência de fase</p>
Falha de comunicação entre o controlador e a placa principal	EE08	<p>1. Conexão deficiente ou cabo de sinal danificado</p> <p>2.Mau funcionamento do controlador</p>	<p>1. Verifique e refaça a conexão do cabo de sinal</p> <p>2. Substituir cabo de sinal</p> <p>3. Desligue o fornecimento de electricidade e reinicie a máquina</p> <p>4. Substituir controlador</p>
Falha de comunicação entre a placa principal e a placa de controlo	EE09	<p>1.Conexão deficiente do cabo de comunicação</p> <p>2.Cabo danificado</p>	<p>1. Verifique a ligação do cabo</p> <p>2. Substituir cabo</p>
Protecção - VDC muito alta	EE10	<p>1. Tensão da linha mãe é muito alta</p> <p>2.A placa de controlo está danificada.</p>	<p>1. Verifique se a alimentação está no intervalo normal</p> <p>2. Substituir a placa de controlo ou a placa principal</p>

Mau funcionamento	Erro de código	Razão	Solução
Protecção do módulo IPM (Inverter Power Module)	EE11	<ol style="list-style-type: none"> 1. Erro de dados 2. Conexão incorrecta da fase do compressor 3. O líquido do compressor e a acumulação de óleo, levam a que a corrente aumente 4. Compressor ou placa de controlo danificada 	<ol style="list-style-type: none"> 1. Erro de programa, desligue o fornecimento de electricidade e reinicie após 3 minutos 2. Verifique a conexão/sequência das fases ao compressor 3. Verifique a pressão do sistema pelo manómetro 4. Verifique se a temperatura ambiente e da água está alta demais 5. Trocar a placa de controlo
Protecção - VDC muito baixa	EE12	<ol style="list-style-type: none"> 1. Tensão da linha mãe é muito baixa 2. A placa de controlo está danificada. 	<ol style="list-style-type: none"> 1. Verifique se a energia está no intervalo normal 2. Trocar a placa de controlo
Protecção - Corrente de entrada alta.	EE13	<ol style="list-style-type: none"> 1. A corrente do compressor é momentaneamente muito elevada 2. O fluxo de água é anormal 3. Flutuações de energia dentro de um curto período de tempo 4. Indutor PFC errado 	<ol style="list-style-type: none"> 1. Verifique o compressor 2. Verifique o sistema hidráulico 3. Verifique se a energia está na faixa normal 4. Verifique se o indutor PFC é o correcto
Erro de saída do circuito de detecção de temperatura do módulo IPM (Inverter Power Module)	EE14	<ol style="list-style-type: none"> 1. Anomalia no Output do circuito térmico do módulo IPM 2. O motor do ventilador está com anomalias ou danificado 3. Lâmina do ventilador está danificada 	<ol style="list-style-type: none"> 1. Trocar a placa de controlo 2. Verificar se a velocidade do motor está muito baixa ou se o motor do ventilador está danificado, trocar se necessário 3. Trocar pás do ventilador
Protecção - Temperatura elevada do módulo IPM	EE15	<ol style="list-style-type: none"> 1. Output exception do circuito de detecção de temperatura do módulo IPM 2. Motor está com anomalia ou danificado 3. Pás do ventilador, danificadas 	<ol style="list-style-type: none"> 1. Trocar uma placa de controlo 2. Verificar se a velocidade do motor do ventilador está muito baixa ou se o motor do ventilador está danificado, trocar se necessário 3. Trocar as pás do ventilador

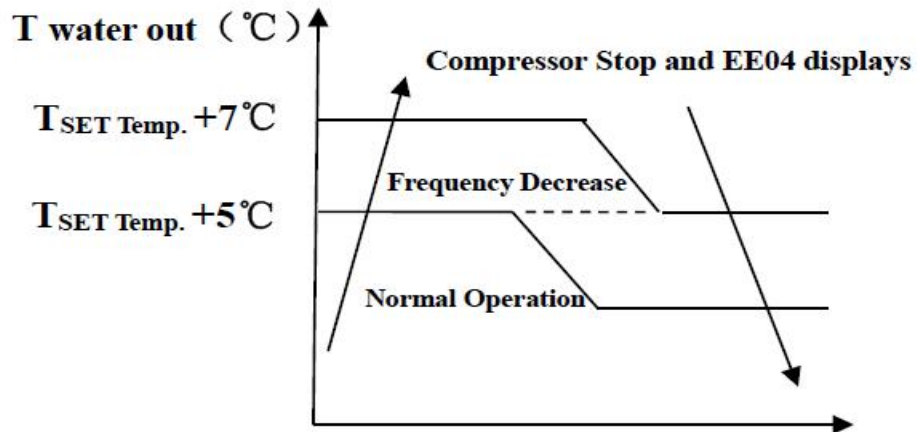
Mau funcionamento	Erro de código	Razão	Solução
Protecção do módulo PFC	EE16	<ol style="list-style-type: none"> 1. Output exception do módulo PFC 2. Motor com anomalias ou danificado 3. Pás do ventilador, danificadas 4. Salto de tensão de entrada, a potência de entrada é anormal 	<ol style="list-style-type: none"> 1. Alterar uma placa de controlo 2. Verifique se a velocidade do motor está muito baixa ou se o motor do ventilador está danificado, trocar se necessário 3. Trocar as pás do ventilador 4. Verificar a tensão de entrada
Falha do motor do ventilador DC	EE17	<ol style="list-style-type: none"> 1. O motor DC está danificado 2. Para a máquina trifásica, verifique se o neutro está conectado 3. A placa principal ou a placa de acionamento do motor do ventilador está danificada 4. As pás do ventilador estão presas 	<ol style="list-style-type: none"> 1. Verificar o motor DC, substituir se necessário 2. Verifique a conexão da fiação da máquina trifásica 3. Trocar placa principal ou uma placa de acionamento do motor do ventilador 4. Eliminar o bloqueio das pás
Falha do circuito interno de detecção de temperatura do módulo PFC	EE18	A placa de controlo está danificada	<ol style="list-style-type: none"> 1. Trocar placa de controlo 2. Verificar se a velocidade do motor do ventilador está muito baixa ou se o motor do ventilador está danificado, trocar se necessário.
Protecção-temperatura elevada do módulo PFC	EE19	<ol style="list-style-type: none"> 1. Anomalia na saída do circuito térmico do módulo PFC 2. Motor está com anomalia ou danificado 3. Pás do ventilador, danificadas 4. O parafuso na placa de controlo não está apertado 	<ol style="list-style-type: none"> 1. Trocar placa de controlo 2. Verificar se a velocidade do motor está muito baixa ou se o motor do ventilador está danificado, trocar se necessário 3. Trocar as pás do ventilador 4. Verifique se o parafuso está solto
Falha de energia de entrada	EE20	A tensão de alimentação flutua demasiado	Verifique se a voltagem está estável
Erro no controlo de software	EE21	<ol style="list-style-type: none"> 1. Compressor funciona fora de fase 2. Programa incorrecto 3. Impurezas dentro do compressor causa instabilidade na velocidade de rotação 	<ol style="list-style-type: none"> 1. Verificar a placa principal e substituir se necessário 2. Introduzir o software correcto

Mau funcionamento	Erro de código	Razão	Solução
Falha no circuito de detecção de corrente.	EE22	<ol style="list-style-type: none"> 1. Sinal de tensão anormal 2. A placa de controlo está danificada 3. Falha na placa principal 	<ol style="list-style-type: none"> 1. Verificar a placa principal e substituir se necessário 2. Trocar placa de controlo
Falha no arranque do compressor	EE23	<ol style="list-style-type: none"> 1. A placa principal está danificada 2. Erro na cablagem do compressor ou mau contacto ou desconectado 3. Acumulação de líquido no interior 4. Conexão de fase errada 	<ol style="list-style-type: none"> 1. Verifique a placa principal e trocar se necessário 2. Verificar a cablagem do compressor de acordo com o diagrama de circuito 3. Verificar o compressor, trocar se necessário
Erro placa de controlo-temperatura ambiente	EE24	Falha do dispositivo de temperatura ambiente	Trocar placa de controlo ou placa principal
Falha de fase do compressor	EE25	U, V, W conectados a uma fase ou a duas fases.	Verificar se as ligações estão de acordo com o diagrama de circuito
Erro de leitura de dados da EEPROM	EE27	<ol style="list-style-type: none"> 1. Dados errados da EEPROM no programa ou falha na entrada de dados da EEPROM 2. Falha da placa principal 	<ol style="list-style-type: none"> 1. Reinsere os dados correctos da EEPROM 2. Trocar placa principal
A falha de comunicação entre chips na placa principal	EE28	Falha da placa principal	<ol style="list-style-type: none"> 1. Desligue a alimentação eléctrica e reinicie a máquina 2. Trocar a placa principal

7.2 Proteção da unidade

Observações:

1. No modo de aquecimento, se a temperatura de saída de água for maior que a temperatura definida acima de 7 °C, o controlador exibirá EE04 para proteção contra superaquecimento de água.



EE04 Proteção Contra Superaquecimento da Água

Por exemplo:

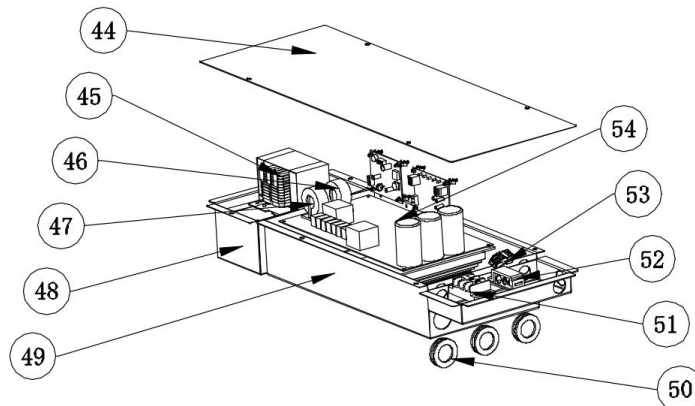
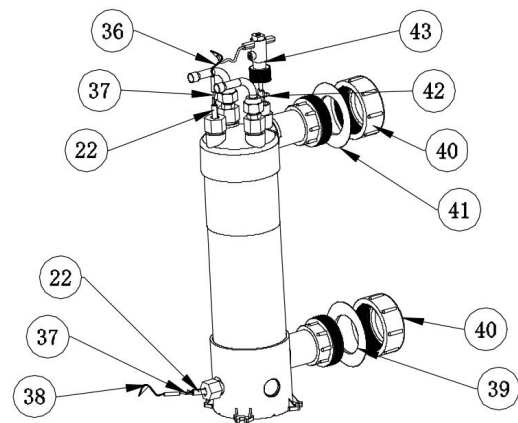
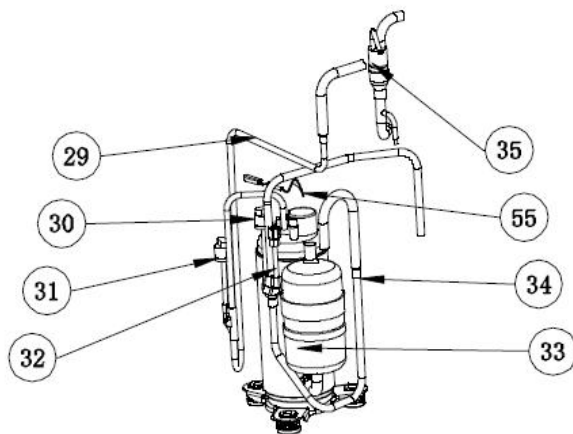
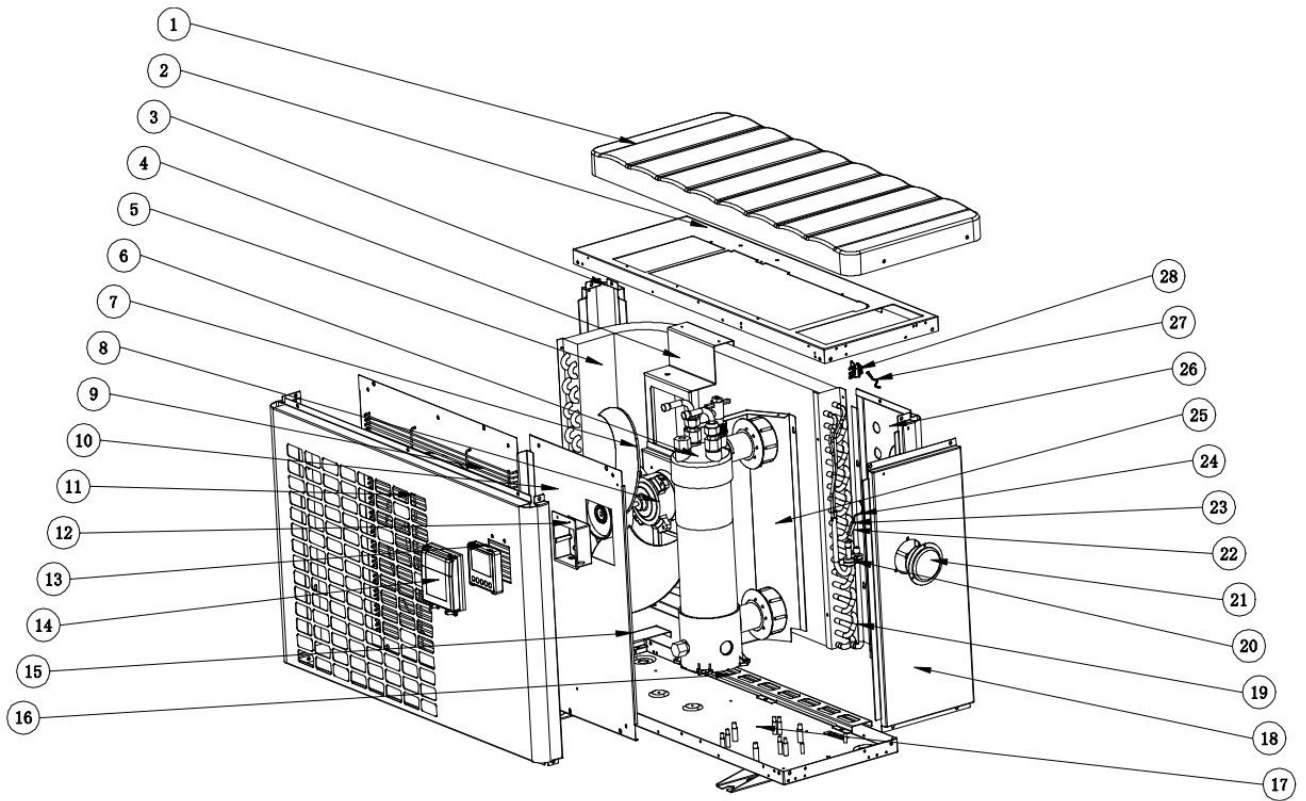
Modo	Água fora de temperatura	Temperatura de ajuste	Condição	Defeituoso
Modo de aquecimento	36°C	29°C	$T_{out} - T_{set} \cong 7^{\circ}\text{C}$	EE04 Protecção contra superaquecimento da água (d2-TH5)

7.3 Outros defeitos e soluções (sem display no controlador de cabos LED)

Mau funcionamento	Observando	Razão	Solução
Bomba de calor não está a funcionar	Controlador não exibe nada no display	Nenhuma fonte de alimentação	Verifique se o cabo e o disjuntor estão ligados
	Controlador exibe a hora real.	Bomba de calor em standby	Inicializar a bomba de calor para funcionar.
	Controlador exibe a temperatura real da água.	1.A temperatura da água está a chegar ao valor de ajuste, a bomba de calor encontra-se em estado de temperatura constante. 2.A bomba de calor está a começar a funcionar. 3. Em descongelação.	1. Verifique a configuração da temperatura da água. 2. Inicie a bomba de calor depois de alguns minutos. 3. O controlador deve exibir "Descongelamento".
Corrida curta	O controlador exibe a temperatura real da água, nenhum código de erro é exibido	1. Ventilador NÃO está a funcionar. 2. Ventilação de ar não é suficiente. 3. O refrigerante não é suficiente.	1. Verifique as conexões do cabo entre o motor e o ventilador, se necessário, deve ser substituído. 2. Verifique a localização da bomba de calor e elimine todos os obstáculos para obter uma boa ventilação do ar. 3 Substitua ou repare a bomba de calor.
Manchas na água	Manchas de água na bomba de calor.	1. Cobertura protecção. 2. Fuga de água.	1. Nenhuma acção. 2. Verifique o permutador de calor de titânio com cuidado e se há algum defeito ou fuga.
Muito gelo no evaporador	Muito gelo no evaporador.		1. Verifique a localização da bomba de calor e elimine todos os obstáculos para obter uma boa ventilação do ar. 2. Substitua ou repare a bomba de calor.

8. Diagrama Explodido

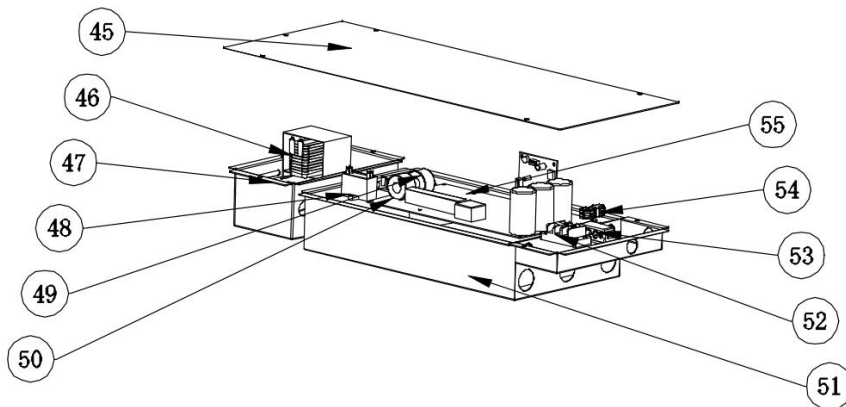
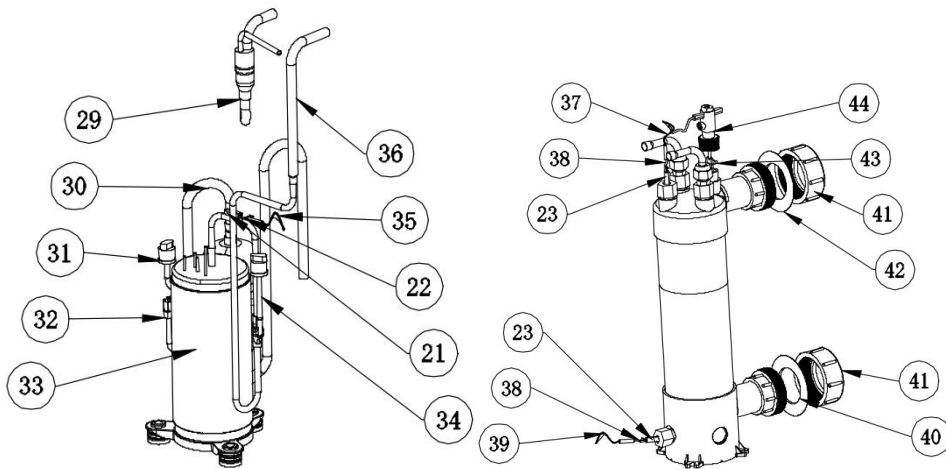
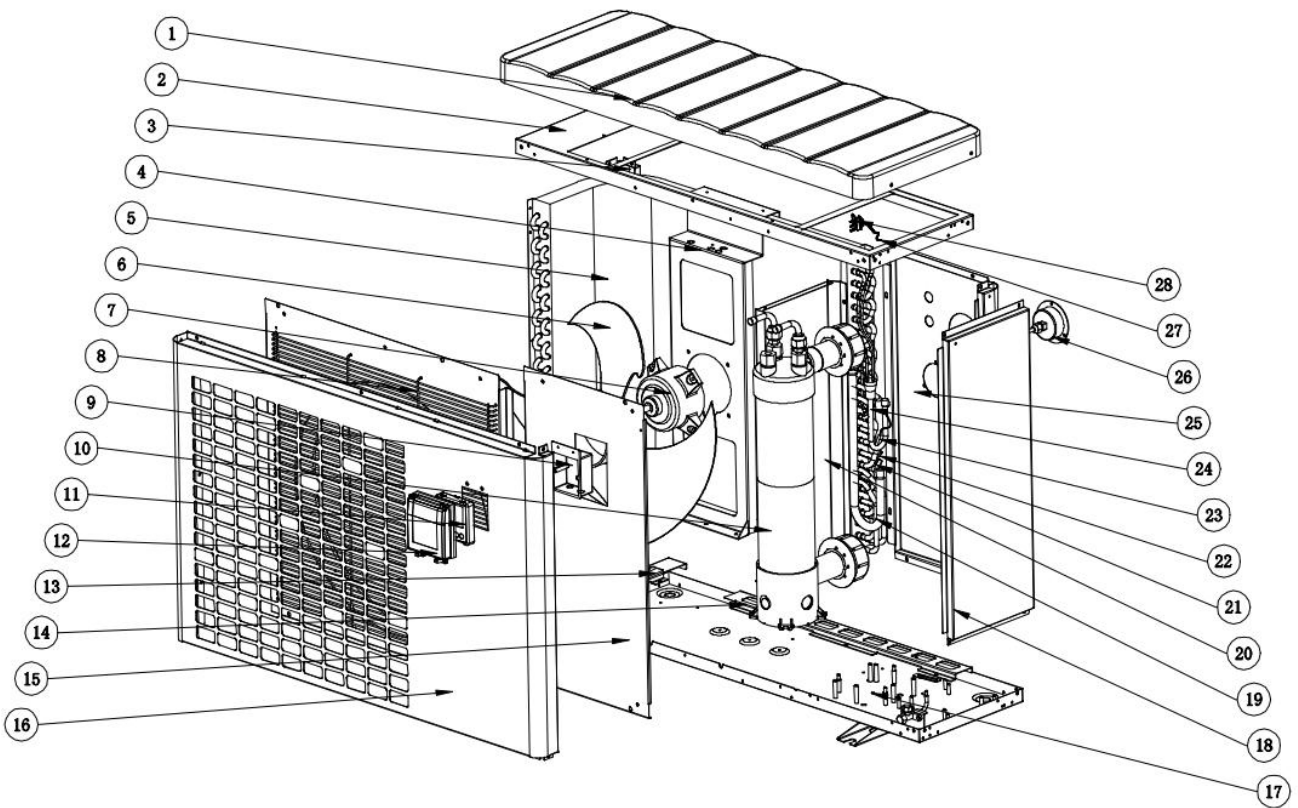
8.1 Modelo VSP-10



Spare parts list: VSP-10

NO	ERP	Spare parts	NO	ERP	Spare parts
1	133340015	Tampa superior	29	113020611	Tubo de escape
2	108830029	Quadro superior	30	112100046	Interruptor de baixa pressão
3	108830055	Pilar	31	112100030	Interruptor de alta pressão
4	108830006	Suporte do motor do ventilador	32	120000098	Válvula de sucção
5	103000271	Evaporador	33	101000221	Compressor
6	102040856	Trocador de calor de titânio	34	113020565	Tubulação de retorno de gás
7	113600007	Lâmina da ventoínha	35	113090091	Trocador para Capilar
8	112000041	Motor de ventilador	36	117110012	Água em temp. sensor TH6
9	108830057	Conjunto do painel frontal	37	108010025	Clipe do sensor de temperatura do permutador
10	108830024	Painel de manutenção	38	117110011	Água fora temp. sensor TH5
11	108830060	Painel frontal	39	133020011	Anel de borracha azul
12	133030011	Caixa do controlador	40	113900082	Conjuntos de conexão de água
13	117020244	controlador	41	133020012	Anel de borracha vermelha
14	113712007	Tampa do controlador	42	133020026	Anel de borracha na conexão de água
15	108830004	Almofada do evaporador	43	112100021-1	Interruptor de fluxo de água
16	108830005	Almofada do evaporador	44	108830031	Tampa da caixa elétrica
17	108830017	Bandeja base	45	117230003	Reactor
18	108830059	Painel direito	46	117240002	Anel magnético
19	103000271	Tubulação coletiva	47	117240003	Anel magnético
20	136020018	Borracha	48	108830026	Caixa reactor
21	106000011	Medidor de pressão	49	108830030	Caixa elétrica
22	113190001	grampo	50	136020119	Anel de borracha
23	113190007	Tubo de revestimento do sensor	51	115000002	Terminal de 3 assentos
24	117110004	Pipe temp. sensor TH2	52	136010004	Grampo
25	108830003	Painel de isolamento	53	115000060	Terminal de 2 assentos
26	108830056	Painel traseiro	54	117100069	PCB
27	117110020	Temperatura ambiente. sensor TH1	55	117110021	Temp. De exaustão sensor TH3
28	133020010	Temperatura ambiente. clipe de sensor			

Model: VSP-12 / VSP-15 / VSP-17



Spare parts list: VSP-12

NO	ERP	Spare parts	NO	ERP	Spare parts
1	133300019	Tampa superior	29	113090087	Trocador para Capilar
2	108790071	Quadro superior	30	113020544	Tubulação de retorno de gás
3	108790107	Pilar	31	112100046	Interruptor de baixa pressão
4	108790027	Suporte do motor do ventilador	32	120000097	Válvula de sucção
5	103000283	Evaporador	33	101000222	Compressor
6	132000015	Lâmina da ventoinha	34	112100030	Interruptor de alta pressão
7	112000031	Motor de ventilador	35	117110021	Temp. De exaustão sensor d6-TH3
8	108790127	Conjunto do painel frontal	36	113010392	Tubo de escape
9	133030011	Caixa do controlador	37	117110012	Água em temp. sensor d1-TH6
10	102040861	Trocador de calor de titânio	38	108010025	Clipe do sensor de temperatura do permutador
11	117020244	controlador	39	117110011	Água fora temp. sensor d2-TH5
12	113712007	Tampa do controlador	40	133020011	Anel de borracha azul
13	108790025	Almofada do evaporador	41	113900082	Conjuntos de conexão de água
14	108790026	Almofada do evaporador	42	133020012	Anel de borracha vermelha
15	108790081	Painel de manutenção	43	133020026	Anel de borracha na conexão de água
16	108790106	Painel frontal	44	112100021-1	Interruptor de fluxo de água
17	108790101	Bandeja base	45	108790072	Tampa da caixa elétrica
18	108790109	Painel direito	46	117230003	Reactor
19	103000283	Tubulação coletiva	47	108790073	Caixa reactor
20	108790024	Painel de isolamento	48	111000006	Capacitor de ventilador
21	113190001	grampo	49	117240002	Anel magnético
22	113190007	Tubo de revestimento do sensor	50	117240003	Anel magnético
23	117110004	Pipe temp. sensor d5-TH2	51	108790075	Caixa reactor
24	103000283	Tubazioni di distribuzione	52	115000002	Terminal de 3 assentos
25	108790108	Painel traseiro	53	136010004	Grampo
26	106000011	Medidor de pressão	54	115000060	Terminal de 2 assentos
27	117110020	Temperatura ambiente. sensor d3-TH1	55	117100069	PCB
28	133020010	Temperatura ambiente. clipe de sensor			

Spare parts list: VSP-15

NO	ERP	Spare parts	NO	ERP	Spare parts
1	133300019	Tampa superior	29	113090087	Trocador para Capilar
2	108790071	Quadro superior	30	113020544	Tubulação de retorno de gás
3	108790107	Pilar	31	112100046	Interruptor de baixa pressão
4	108790027	Suporte do motor do ventilador	32	120000097	Válvula de sucção
5	103000290	Evaporador	33	101000222	Compressor
6	132000015	Lâmina da ventoinha	34	112100030	Interruptor de alta pressão
7	112000031	Motor de ventilador	35	117110021	Temp. De exaustão sensor d6-TH3
8	108790127	Conjunto do painel frontal	36	113010392	Tubo de escape
9	133030011	Caixa do controlador	37	117110012	Água em temp. sensor d1-TH6
10	102040865	Trocador de calor de titânio	38	108010025	Clipe do sensor de temperatura do permutador
11	117020244	controlador	39	117110011	Água fora temp. sensor d2-TH5
12	113712007	Tampa do controlador	40	133020011	Anel de borracha azul
13	108790025	Almofada do evaporador	41	113900082	Conjuntos de conexão de água
14	108790026	Almofada do evaporador	42	133020012	Anel de borracha vermelha
15	108790081	Painel de manutenção	43	133020026	Anel de borracha na conexão de água
16	108790106	Painel frontal	44	112100021-1	Interruptor de fluxo de água
17	108790101	Bandeja base	45	108790072	Tampa da caixa elétrica
18	108790109	Painel direito	46	117230003	Reactor
19	103000290	Tubulação coletiva	47	108790073	Caixa reactor
20	108790024	Painel de isolamento	48	111000006	Capacitor de ventilador
21	113190001	grampo	49	117240002	Anel magnético
22	113190007	Tubo de revestimento do sensor	50	117240003	Anel magnético
23	117110004	Pipe temp. sensor d5-TH2	51	108790074	Caixa reactor
24	103000290	Tubazioni di distribuzione	52	115000002	Terminal de 3 assentos
25	108790108	Painel traseiro	53	136010004	Grampo
26	106000011	Medidor de pressão	54	115000060	Terminal de 2 assentos
27	117110020	Temperatura ambiente. sensor d3-TH1	55	117100065	PCB
28	133020010	Temperatura ambiente. clipe de sensor			

Spare parts list: VSP-17

NO	ERP	Spare parts	NO	ERP	Spare parts
1	133300019	Tampa superior	29	113090087	Trocador para Capilar
2	108790071	Quadro superior	30	113020581	Tubulação de retorno de gás
3	108790107	Pilar	31	112100046	Interruptor de baixa pressão
4	108790027	Suporte do motor do ventilador	32	120000097	Válvula de sucção
5	103000291	Evaporador	33	101000181	Compressor
6	132000015	Lâmina da ventoinha	34	112100030	Interruptor de alta pressão
7	112000031	Motor de ventilador	35	117110021	Temp. De exaustão sensor d6-TH3
8	108790127	Conjunto do painel frontal	36	113020625	Tubo de escape
9	133030011	Caixa do controlador	37	117110012	Água em temp. sensor d1-TH6
10	102040999	Trocador de calor de titânio	38	108010025	Clipe do sensor de temperatura do permutador
11	117020244	controlador	39	117110011	Água fora temp. sensor d2-TH5
12	133020061	Tampa do controlador	40	133020011	Anel de borracha azul
13	108790025	Almofada do evaporador	41	102050004	Conjuntos de conexão de água
14	108790026	Almofada do evaporador	42	133020012	Anel de borracha vermelha
15	108790081	Painel de manutenção	43	133020026	Anel de borracha na conexão de água
16	108790106	Painel frontal	44	112100021-1	Interruptor de fluxo de água
17	108790093	Bandeja base	45	108790072	Tampa da caixa elétrica
18	108790109	Painel direito	46	117230003	Reactor
19	103000291	Tubulação coletiva	47	108790073	Caixa reactor
20	108790024	Painel de isolamento	48	111000006	Capacitor de ventilador
21	113190001	grampo	49	117240002	Anel magnético
22	113190007	Tubo de revestimento do sensor	50	117240003	Anel magnético
23	117110004	Pipe temp. sensor d5-TH2	51	108790074	Caixa reactor
24	103000291	Tubazioni di distribuzione	52	115000002	Terminal de 3 assentos
25	108790108	Painel traseiro	53	136010004	Grampo
26	106000011	Medidor de pressão	54	115000060	Terminal de 2 assentos
27	117110020	Temperatura ambiente. sensor d3-TH1	55	117100065	PCB
28	133020010	Temperatura ambiente. clipe de sensor			

9. Manutenção

- (1) Verificar o sistema de abastecimento de água regularmente para evitar o ar que entra no sistema e ocorrência de baixo fluxo de água, porque iria reduzir o desempenho e a confiabilidade da unidade HP.
- (2) Limpar regularmente a piscina e o sistema de filtração para evitar danos à unidade, causados pela acumulação de sujidade que conduzem ao entupimento do filtro.
- (3) Verificar se a unidade está cheia de água antes de começar a funcionar novamente.
- (4) Depois de acondicionar a unidade para a estação de inverno, é recomendado cobrir a bomba de calor com uma cobertura especial de inverno.
- (5) Quando a unidade está em funcionamento existe sempre uma pequena descarga de água pela parte inferior.
- (6) Esvazie sempre a água na bomba de calor durante o inverno ou quando a temperatura ambiente cair abaixo de 0 °C, caso contrário, o trocador de titânio será danificado por estar congelado, nesse caso, sua garantia será perdida.

Atenção !

-Antes de qualquer trabalho de manutenção no aparelho, deve-se cortar a alimentação elétrica, pois existe o risco de choque elétrico que pode causar danos materiais, ferimentos graves ou até a morte.

- Recomenda-se que o aparelho seja submetido a serviços gerais de manutenção pelo menos uma vez por ano para garantir o seu correto funcionamento, manter os níveis de desempenho e evitar possíveis falhas. Estas operações são realizadas por conta do usuário, por um técnico qualificado. Para que a manutenção seja realizado por um técnico qualificado.

-para a manutenção a ser realizada por um técnico qualificado, leia as instruções de segurança nas páginas anteriores fornecidas no capítulo intitulado "manutenção: avisos relativos a aparelhos que contêm refrigerante R32" antes de realizar qualquer uma das operações de manutenção descritas a seguir.

ENGUARANTEECERTIFICATE 1

GENERAL TERMS

- 1.1 In accordance with these provisions, the seller guarantees that the product corresponding to this guarantee ("the Product") is in perfect condition at the time of delivery.
- 1.2 The Guarantee Term for the Product is two (2) years from the time it is delivered to the purchaser.
- 1.3 In the event of any defect in the Product that is notified by the purchaser to the seller during the Guarantee Term, the seller will be obliged to repair or replace the Product, at his own cost and wherever he deems suitable, unless this is impossible or unreasonable.
- 1.4 If it is not possible to repair or replace the Product, the purchaser may ask for a proportional reduction in the price or, if the defect is sufficiently significant, the termination of the sales contract.
- 1.5 The replaced or repaired parts under this guarantee, will not extend the guarantee period of the original Product, but will have a separate guarantee.
- 1.6 In order for this guarantee to come into effect, the purchaser must provide proof of the date of purchase and delivery of the Product.
- 1.7 If, after six months from the delivery of the Product to the purchaser, he notifies a defect in the Product, the purchaser must provide proof of the origin and existence of the alleged defect.
- 1.8 This Guarantee Certificate is issued without prejudice to the rights corresponding to consumers under national regulations.

2 INDIVIDUAL TERMS

- 2.1 This guarantee covers the products referred to in this manual.
- 2.2 This Guarantee Certificate will only be applicable in European Union countries.
- 2.3 For this guarantee to be effective, the purchaser must strictly follow the Manufacturer's instructions included in the documentation provided with the Product, in cases where it is applicable according to the range and model of the Product.
- 2.4 When a time schedule is specified for the replacement, maintenance or cleaning of certain parts or components of the Product, the guarantee will only be valid if this time schedule has been followed.

3 LIMITATIONS

- 3.1 This guarantee will only be applicable to sales made to consumers, understanding by "consumer", a person who purchases the Product for purposes not related to his professional activities.
- 3.2 The normal wear resulting from using the product is not guaranteed. With respect to expendable or consumable parts, components and/or materials, such as batteries, light bulbs, etc. the stipulations in the documentation provided with the Product, will apply.
- 3.3 The guarantee does not cover those cases when the Product; (I) has been handled incorrectly; (II) has been repaired, serviced or handled by non- authorised people or (III) has been repaired or serviced not using original parts. In cases where the defect of the Product is a result of incorrect installation or start-up, this guarantee will only apply when said installation or start-up is included in the sales contract of the Product and has been conducted by the seller or under his responsibility.

ES - CERTIFICADO DE GARANTÍA 1

ASPECTOS GENERALES

- 1.1 De acuerdo con estas disposiciones, el vendedor garantiza que el producto correspondiente a esta garantía ("el Producto") no presenta ninguna falta de conformidad en el momento de su entrega.
- 1.2 El Período de Garantía para el Producto es de dos (2) años y se calculará desde el momento de su entrega al comprador.
- 1.3 Si se produjera una falta de conformidad del Producto y el comprador lo notificase al vendedor durante el Periodo de Garantía, el vendedor deberá reparar o sustituir el Producto a su propio coste en el lugar donde considere oportuno, salvo que ello sea imposible o desproporcionado.
- 1.4 Cuando no se pueda reparar o sustituir el Producto, el comprador podrá solicitar una reducción proporcional del precio o, si la falta de conformidad es suficientemente importante, la resolución del contrato de venta.
- 1.5 Las partes sustituidas o reparadas en virtud de esta garantía no ampliarán el plazo de la garantía del Producto original, si bien dispondrán de su propia garantía.
- 1.6 Para la efectividad de la presente garantía, el comprador deberá acreditar la fecha de adquisición y entrega del Producto.
- 1.7 Cuando hayan transcurrido más de seis meses desde la entrega del Producto al comprador y éste alegue falta de conformidad de aquél, el comprador deberá acreditar el origen y la existencia del defecto alegado.
- 1.8 El presente Certificado de Garantía no limita o prejuzga los derechos que correspondan a los consumidores en virtud de normas nacionales de carácter imperativo.

2 CONDICIONES PARTICULARES

- 2.1 La presente garantía cubre los productos a que hace referencia este manual.
- 2.2 El presente Certificado de Garantía será de aplicación únicamente en los países de la Unión Europea.
- 2.3 Para la eficacia de esta garantía, el comprador deberá seguir estrictamente las indicaciones del Fabricante incluidas en la documentación que acompaña al Producto, cuando ésta resulte aplicable según la gama y modelo del Producto.
- 2.4 Cuando se especifique un calendario para la sustitución, mantenimiento o limpieza de ciertas piezas o componentes del Producto, la garantía sólo será válida cuando se haya seguido dicho calendario correctamente.

3 LIMITACIONES

- 3.1 La presente garantía únicamente será de aplicación en aquellas ventas realizadas a consumidores, entendiéndose por "consumidor", aquella persona que adquiere el Producto con fines que no entran en el ámbito de su actividad profesional.
- 3.2 No se otorga ninguna garantía respecto del normal desgaste por uso del producto. En relación con las piezas, componentes y/o materiales fungibles o consumibles como pilas, bombillas etc., se estará a lo dispuesto en la documentación que acompañe al Producto, en su caso.
- 3.3 La garantía no cubre aquellos casos en que el Producto: (I) haya sido objeto de un trato incorrecto; (II) haya sido reparado, mantenido o manipulado por persona no autorizada o (III) haya sido reparado o mantenido con piezas no originales.

Cuando la falta de conformidad del Producto sea consecuencia de una incorrecta instalación o puesta en marcha, la presente garantía sólo responderá cuando dicha instalación o puesta en marcha esté incluida en el contrato de compra-venta del Producto y haya sido realizada por el vendedor o bajo su responsabilidad.

FR - CERTIFICAT DE GARANTIE 1

ASPECTS GÉNÉRAUX

- 1.1 Conformément à ces dispositions, le vendeur garantit que le produit correspondant à cette garantie (“le Produit”) ne présente aucun défaut de conformité à la date de sa livraison.
- 1.2 La Période de Garantie pour le Produit est de deux (2) ans et elle sera calculée à partir du moment de sa remise à l’acheteur.
- 1.3 S’il se produisait un défaut de conformité du Produit et si l’acheteur le notifiait au vendeur pendant la Période de Garantie, le vendeur devrait réparer ou remplacer le Produit à ses propres frais à l’endroit qu’il jugerait opportun, à moins que cela soit impossible ou disproportionné.
- 1.4 Lorsque le Produit ne pourra être ni réparé ni remplacé, l’acheteur pourra demander une réduction proportionnelle du prix ou, si le défaut de conformité est suffisamment important, la résolution du contrat de vente.
- 1.5 Les parties remplacées ou réparées en vertu de cette garantie n’élargiront pas le délai de la garantie du Produit original, celles-ci étant cependant couvertes par leur propre garantie.
- 1.6 Pour l’effectivité de la présente garantie, l’acheteur devra justifier la date d’acquisition et de remise du Produit.
- 1.7 Quand plus de six mois se seront écoulés depuis la remise du Produit à l’acheteur et que ce dernier alléguera un défaut de conformité de ce Produit, l’acheteur devra justifier l’origine et l’existence du défaut allégué.
- 1.8 Le présent Certificat de Garantie ne limite pas, ni préjuge les droits correspondant aux consommateurs en vertu des normes nationales de nature impérative.

2 CONDITIONS PARTICULIÈRES

- 2.1 La présente garantie couvre les produits auxquels ce manuel fait référence.
- 2.2 Le présent Certificat de Garantie ne sera applicable que dans les pays de l’Union européenne.
- 2.3 En vue de l’efficacité de cette garantie, l’acheteur devra suivre strictement les indications du Fabricant comprises dans la documentation qui est jointe au Produit, quand celle-ci sera applicable selon la gamme et le modèle du Produit.
- 2.4 Quand un calendrier sera spécifié pour le remplacement, la maintenance ou le nettoyage de certaines pièces ou de certains composants du Produit, la garantie sera valable uniquement lorsque ledit calendrier aura été suivi correctement.

3 LIMITATIONS

- 3.1 La présente garantie ne sera applicable que dans les ventes réalisées aux consommateurs, considérant comme “consommateur”, toute personne qui achète le Produit à des fins qui n’entrent pas dans le cadre de son activité professionnelle.
- 3.2 Aucune garantie n’est concédée quant à l’usure normale due à l’utilisation du produit. En ce qui concerne les pièces, composants et/ou matériels fongibles ou consommables comme les piles, les ampoules, etc., il faudra respecter, le cas échéant, ce qui est stipulé dans la documentation qui est jointe au Produit.
- 3.3 La garantie ne couvre pas les cas où le Produit : (I) a fait l’objet d’un traitement incorrect ; (II) a été réparé, entretenu ou manipulé par une personne non autorisée ou (III) a été réparé ou entretenu avec des pièces n’étant pas d’origine. Quand le défaut de conformité du Produit sera la conséquence d’une installation ou d’une mise en marche incorrectes, la présente garantie répondra uniquement lorsque ladite installation ou ladite mise en marche sera incluse dans le contrat d’achat et de vente du Produit et aura été réalisée par le vendeur ou sous sa responsabilité.

DE - GARANTIEZERTIFIKAT

1 ALLGEMEINE GESICHTSPUNKTE

1.1 In Übereinstimmung mit diesen Verfügungen garantiert der Verkäufer, dass das Produkt dieser Garantie ("das Produkt") entspricht und dass es im Moment der Übergabe in allen Punkten mit den Anforderungen übereinstimmt.

1.2 Der Garantiezeitraum für das Produkt beträgt zwei (2) Jahre und wird ab dem Augenblick der Lieferung an den Käufer gerechnet.

1.3 Falls ein Mangel am Produkt auftritt und der Käufer den Verkäufer innerhalb des Garantiezeitraums darüber unterrichtet, muss der Verkäufer das Produkt auf eigene Kosten dort reparieren oder ersetzen, wo es für ihn am günstigsten ist, es sei denn, dies ist unmöglich oder unverhältnismäßig.

1.4 Wenn das Produkt weder repariert noch ersetzt werden kann, kann der Käufer einen angemessenen Preisnachlass beantragen, oder, falls es sich um einen größeren Mangel handelt, die Auflösung des Kaufvertrages.

1.5 Die Teile, die aufgrund dieser Garantie ersetzt oder repariert werden, verlängern den Garantiezeitraum für das Originalprodukt nicht. Jedoch existiert für diese Teile eine eigene Garantie.

1.6 Um die vorliegende Garantie wirksam werden zu lassen, muss der Käufer das Kaufdatum und das Lieferdatum des Produktes belegen.

1.7 Nach Ablauf von sechs Monaten ab Lieferung des Produktes an den Käufer muss, im Falle eines Mangels, der Käufer den Ursprung und das Vorhandensein des angegebenen Mangels belegen.

1.8 Das vorliegende Garantiezertifikat schränkt die Rechte, die der Verbraucher aufgrund der herrschenden, nationalen Gesetzgebung hat, nicht ein.

2 SONDERBEDINGUNGEN

2.1 Die vorliegende Garantie gilt für die Produkte, auf die sich dieses Handbuch bezieht.

2.2 Das vorliegende Garantiezertifikat ist nur in den Ländern der Europäischen Gemeinschaft anwendbar.

2.3 Diese Garantie gilt nur, wenn der Käufer alle Anweisungen des Herstellers, die in der produktbegleitenden Dokumentation enthalten und für die jeweilige Produktlinie und Modell anwendbar ist, streng einhält.

2.4 Wenn ein Zeitplan für den Austausch von Teilen, die Instandhaltung und Reinigung bestimmter Teile oder Produktkomponenten aufgestellt wurde, gilt die Garantie nur dann, wenn dieser Zeitplan korrekt eingehalten wurde.

3 EINSCHRÄNKUNGEN

3.1 Die vorliegende Garantie ist nur auf Verkäufe an Verbraucher anwendbar. "Verbraucher" sind alle Personen, die dieses Produkt zu privaten Zwecken erwerben.

3.2 Es wird keine Garantie für die normale Abnutzung durch den Gebrauch des Produktes gewährt. Informationen über Teile, Komponenten und/oder verschleißbare Materialien oder Verbrauchsgüter oder Batterien, Glühlampen etc. finden Sie in der Dokumentation, die das jeweilige Produkt begleitet.

3.3 In folgenden Fällen gilt die Garantie nicht: (I) Das Produkt wurde nicht korrekt benutzt; (II) das Produkt wurde von nicht autorisierten Personen repariert, instandgehalten oder bedient oder (III) das Produkt wurde mit nicht originalen Ersatzteilen repariert oder instandgehalten. Wenn der Mangel auf eine falsche Installation oder Inbetriebnahme zurückzuführen ist, gilt die vorliegende Garantie nur, wenn diese Installation oder Inbetriebnahme in den Kaufvertrag des Produktes eingeschlossen war, und von dem Verkäufer oder auf dessen Verantwortung durchgeführt wurde.

IT - CERTIFICATO DI GARANZIA 1

ASPETTI GENERALI

- 1.1 Ai sensi delle seguenti disposizioni, il venditore garantisce che il prodotto corrispondente a questa garanzia ("il Prodotto") non presenta alcun difetto di conformità al momento della sua consegna.
- 1.2 Il Periodo di Garanzia per il Prodotto è di due (2) anni a decorrere dal momento della consegna dello stesso all'acquirente.
- 1.3 Nel caso in cui si venisse a produrre un difetto di conformità del Prodotto e l'acquirente lo notificasse al venditore entro il Periodo di Garanzia, il venditore dovrà riparare o sostituire il Prodotto a sue spese nel luogo che consideri opportuno, salvo che ciò risulti impossibile o sproporzionato.
- 1.4 Qualora non fosse possibile riparare o sostituire il Prodotto, l'acquirente potrà richiedere una riduzione proporzionale del prezzo o, nel caso in cui il difetto di conformità fosse sufficientemente importante, lo scioglimento del contratto di vendita.
- 1.5 Le parti sostituite o riparate in virtù della presente garanzia non rappresenteranno un prolungamento della scadenza della garanzia del Prodotto originale, quantunque disporranno di una loro propria garanzia.
- 1.6 Affinché la presente possa essere valida, l'acquirente dovrà attestare la data di acquisto e consegna di del Prodotto.
- 1.7 Una volta trascorsi più di sei mesi dalla consegna del Prodotto all'acquirente, qualora quest'ultimo dichiara un difetto di conformità del medesimo, l'acquirente dovrà attestare l'origine e l'esistenza del difetto dichiarato.
- 1.8 Il presente Certificato di Garanzia non limita o preclude i diritti che corrispondano ai consumatori in virtù delle norme nazionale di carattere imperativo.

2 CONDIZIONI PARTICOLARI

- 2.1 La presente garanzia copre i prodotti al quali si riferisce questo manuale.
- 2.2 Il presente Certificato di Garanzia avrà vigore unicamente nell'ambito dei paesi dell'Unione Europea.
- 2.3 Per la validità di questa garanzia, l'acquirente dovrà rispettare in maniera rigorosa le indicazioni del Fabbricante indicate nella documentazione che viene allegata al Prodotto, quando questa risulti applicabile secondo la gamma e il modello del Prodotto.
- 2.4 Nel caso in cui venga specificato un calendario per la sostituzione, la manutenzione o la pulizia di determinati pezzi o componenti del Prodotto, la garanzia sarà valida solo quando qualora detto calendario sia stato rispettato in maniera corretta.

3 LIMITAZIONI

- 3.1 La presente garanzia sarà valida unicamente per le vendite realizzate a consumatori, laddove per "consumatori" s'intende quella persona che acquista il Prodotto con scopi che non rientrano nell'ambito della sua attività professionale.
- 3.2 No viene concessa alcuna garanzia nei riguardi del normale consumo per uso del prodotto. In merito ai pezzi, ai componenti e/o ai materiali fusibili o consumabili come pile, lampadine, ecc., ove sussista si applicherà quanto disposto nella documentazione che è allegata al Prodotto.
- 3.3 La garanzia non copre i casi in cui il Prodotto: (I) sia stato oggetto di un uso non corretto; (II) sia stato riparato, manipolato o la manutenzione sia stata effettuata da una persona non autorizzata o (III) sia stato riparato o la manutenzione sia stata effettuata con pezzi non originali. Qualora il difetto di conformità del Prodotto sia conseguenza di una installazione o messa in marcia non corretta, la presente garanzia risponderà solo nel caso in cui la suddetta installazione o messa in marcia sia compresa nel contratto di compravendita del Prodotto e sia stata realizzata dal venditore o sotto la sua responsabilità.

NL - GARANTIECERTIFIKAAT 1

ALGEMENE ASPEKTEN

- 1.1 In overeenkomst met de voorliggende bepalingen wordt door de verkoper gegarandeerd dat het produkt verkocht onder deze garantie ("het Produkt") geen enkel defect vertoont op het moment van levering.
- 1.2 De Garantieperiode voor het Produkt bedraagt twee (2) jaar en is geldig vanaf het moment dat het Produkt aan de koper geleverd wordt.
- 1.3 Indien er zich een defect aan het Produkt zou voordoen en de koper dit zou mededelen aan de verkoper gedurende de geldige Garantieperiode, dan zal de verkoper het Produkt repareren of laten repareren op zijn eigen kosten alwaar de verkoper dit geschikt zou achten, behalve in het geval dat dit onmogelijk of buitensporig zou zijn.
- 1.4 Indien het Produkt niet gerepareerd of vervangen kan worden, dan kan de koper na verhouding prijsreductie aanvragen, of, indien het defect belangrijk genoeg is, de ontbinding van het verkoopcontract aanvragen.
- 1.5 Die delen van het Produkt die onder deze Garantie vervangen of gerepareerd zijn, kunnen de duur van de Garantieperiode voor het oorspronkelijke Produkt niet verlengen, maar zullen beschikken over een eigen garantie.
- 1.6 Voor de toepassing van deze garantie moet de koper de aankoopdatum en de levering van het Produkt kunnen aantonen.
- 1.7 Indien er meer dan zes maanden verlopen zijn sinds de levering van het Produkt aan de koper, en deze plotseling aangeeft dat het Produkt niet aan de eisen voldoet, dan zal de koper de oorsprong en het bestaan van de volgens hem bestaande defecten moeten kunnen aantonen.
- 1.8 Dit Garantiecertificaat beperkt of veroordeelt niet bij voorbaat de rechten die de gebruikers hebben en die gebaseerd zijn op nationale normen.

2 BIJZONDERE VOORWAARDEN

- 2.1 Deze garantie dekt de produkten waarnaar deze handleiding verwijst.
- 2.2 Het huidige Garantiecertificaat is slechts van toepassing in landen van de Europese Unie.
- 2.3 Voor de toepassing van deze garantie en in geval deze garantie van toepassing is al naar gelang de serie en het model van het Produkt, moet de koper de aanwijzingen van de Fabrikant in de documenten die bij het Produkt bijgesloten zijn, strikt opvolgen.
- 2.4 Indien er een tijdsperiode vastgesteld wordt voor de vervanging, het onderhoud of het reinigen van verschillende delen of onderdelen van het Produkt, dan is de garantie alleen geldig in geval deze tijdsperiode strikt aangehouden is.

3 BEPERKINGEN

- 3.1 De huidige garantie is uitsluitend geldig bij verkoop aan gebruikers, waarbij onder "gebruiker" verstaan wordt een persoon die het Produkt aanschaft met een doel dat niet binnen het gebied van zijn professionele activiteiten valt.
- 3.2 Er bestaat geen garantie in verband met normale slijtage bij gebruik van het Produkt. Wat betreft de delen, componenten en/of vervangbare of verbruiksmaterialen zoals batterijen, gloeilampen, enz. zal men zich moeten richten naar hetgeen in de documenten staat die het Produkt vergezellen.
- 3.3 De garantie dekt niet de gevallen waarbij het Produkt (i) onderhevig is geweest aan ongepast gebruik, (ii) gerepareerd, onderhouden of gemanipuleerd is door een persoon die daarvoor geen toestemming heeft, of (iii) gerepareerd of onderhouden is met niet oorspronkelijke onderdelen. Indien het defect van het Produkt het gevolg is van een incorrecte installering of ingebruikneming, dan is deze garantie slechts van toepassing indien de installering of ingebruikneming in kwestie in het contract van koop en verkoop van het produkt opgenomen is en door de verkoper of onder diens verantwoordelijkheid uitgevoerd is.

PT - CERTIFICADO DE GARANTIA 1

CONDIÇÕES GERAIS

- 1.1 De acordo com estas disposições, o vendedor garante que, no momento da entrega, o produto correspondente a esta garantia (“o Produto”) não apresenta nenhum tipo de falta de conformidade.
- 1.2 O Período de Garantia para o Produto é de dois (2) anos, contados a partir da data de entrega ao comprador.
- 1.3 Se, durante o período de garantia, o comprador notificar ao vendedor alguma falta de conformidade do Produto, o vendedor deverá reparar ou substituir o Produto por sua conta no lugar onde considerar conveniente, salvo que isso seja impossível ou desmesurado.
- 1.4 Quando não for possível reparar ou substituir o Produto, o comprador poderá solicitar uma redução proporcional do preço ou, se a falta de conformidade for o suficientemente grave, a rescisão do contrato de venda.
- 1.5 As partes substituídas ou reparadas em virtude desta garantia não ampliarão o período de garantia do Produto original, mas disporão da sua própria garantia.
- 1.6 Para que a presente garantia tenha efeito, o comprador deverá apresentar o comprovante da data de compra e de entrega do Produto.
- 1.7 Se o comprador alegar uma falta de conformidade do Produto, passados mais de seis meses da data de entrega do mesmo, deverá demonstrar a origem e a existência do defeito alegado.
- 1.8 O presente Certificado de Garantia não limita nem afecta os direitos dos consumidores derivados das normas nacionais de carácter imperativo.

2 CONDIÇÕES PARTICULARES

- 2.1 A presente garantia cobre os produtos descritos neste manual.
- 2.2 O presente Certificado de Garantia só será válido nos países da União Europeia.
- 2.3 Para a eficácia desta garantia, o comprador deverá seguir rigorosamente as indicações do Fabricante contidas na documentação fornecida com o Produto, quando a mesma for aplicável em função da gama e do modelo do Produto.
- 2.4 No caso de se estabelecer um calendário para a substituição, manutenção ou limpeza de determinadas peças ou componentes do Produto, a garantia só será válida se o citado calendário tiver sido cumprido rigorosamente.

3 LIMITAÇÕES

- 3.1 A presente garantia só será válida para as vendas realizadas a consumidores, entendendo-se por “consumidor” a pessoa que comprar o Produto com fins não abrangidos no âmbito da sua actividade profissional.
- 3.2 A garantia não cobre o desgaste normal derivado do uso do produto. Em relação às peças, componentes e/ou materiais fungíveis ou consumíveis como pilhas, lâmpadas, etc., terá efeito o disposto na documentação fornecida com o Produto, em cada caso.
- 3.3 Esta garantia não abrange as seguintes situações: (I) Se o Produto tiver sido objecto de um uso incorrecto; (II) tiver sido reparado, sofrido manutenção ou manipulado por pessoas não autorizadas ou (III) tiver sido reparado ou as suas peças substituídas por peças não originais. Quando a falta de conformidade do Produto for consequência de uma instalação ou colocação em funcionamento incorrecta, a presente garantia só será válida se a referida instalação ou colocação em funcionamento estiver incluída no contrato de compra-venda do Produto e tiver sido realizada pelo vendedor ou sob sua responsabilidade.
- 3.4

