

SOLENOID DOSING PUMP MAXI PLUS

Data
Sheet

DESCRIPTION

- ✓ Solenoid dosing pump
- ✓ Adjustable flow rate in %
- ✓ Starting delay programmable
- ✓ LCD display
- ✓ Polypropylene reinforced box case
- ✓ IP 65 Protection Degree
- ✓ 100% Made in Italy
- ✓ CE approved
- ✓ Standard Power Supply 230 Vac
- ✓ ON / OFF manual switch
- ✓ Level probe predisposition



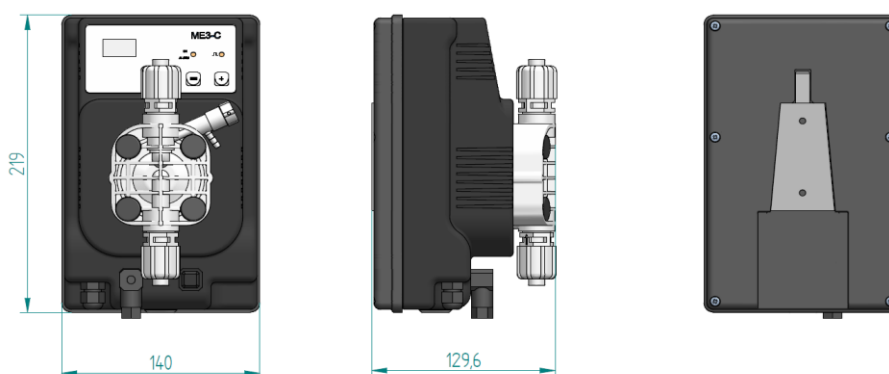
SPECIFICATIONS

Pump head	PVDF FITTINGS 1/2"
Ball valves	Pyrex
Diaphragm	PTFE
Gaskets	Viton ®
Foot filter	PP fittings 4 x 6 with Lip Valve
Injection valve	PVDF fittings 4 x 6 with Ball Valve
Suction hose	PVC 4 x 6
Delivery hose	PE 4 x 6
Power supply	230 Vac 50 Hz

SOLENOID DOSING PUMP MAXI PLUS

Data Sheet

TECH SPECIFICATIONS							
Standard	Flow rate		Pressure		Stroke Length	Magnet	Pulses/min
	[l/h]	[cc/imp]	[Bar]	[PSI]			
05-10	5	0,55	10	145	1,1	Ø 80	150
10-02	10	1,11	2	29	1,3	Ø 80	150
22-02	22	2,89	2	29	1,9	Ø 90	150



INSTALLATION KIT					
	Injection Valve PVDF – SP – VT	Foot Filter PP with lip valve	Suction Hose 2mt PE 4x6	Delivery Hose 2mt PVC 4x6	Bleed Hose 1,5mt PVC 4x6
STANDARD KIT	