

BOMBA AQUASPHERE VSP  
AQUASPHERE VSP PUMP

CARACTERÍSTICAS TÉCNICAS  
TECHNICAL CHARACTERISTICS



Gama de bombas autoaspirantes para piscinas residenciales  
Tecnología de velocidad variable con inversor embebido y  
interfaz de usuario

Incluye un prefiltro de 1,4 litros y conexiones de D63mm  
Apta para el uso en piscinas tratadas mediante elctrolisis  
salina

Disponible en dos versiones: con o sin contactos secos para ser  
controlada externamente

Self-priming range of pumps for residential swimming pools  
Variable speed technology with embedded inverter and user  
interface

Including a 1,4 liters prefilter and D63mm couplings

Suitable for swimming pools using electrolysis treatment

Available in two versions: with or without dry contacts to be  
externally controlled

BOMBA AQUASPHERE VSP  
AQUASPHERE VSP PUMP

CODE	MODEL	POWER SUPPLY	P <sub>1</sub> MAX. (kW)	I <sub>1</sub> MAX. (A)	H <sub>MAX.</sub> (m)	Q <sub>MAX.</sub> (m <sup>3</sup> /h) (H=4m)*	H <sub>N</sub> (m)	Q <sub>N</sub> (m <sup>3</sup> /h) (H=10m)	P <sub>2N</sub> (kW)	NOISE (dBA)	DIMENSIONS (mm)	
											A (mm)	Ø (mm)
75946	AQUASPHERE VSP 150	220-240 VAC-50/60Hz-1~	1,05	4,5	14,2	30,5	10	19,3	0,75	61	606	D63
75948	AQUASPHERE VSP 150C	220-240 VAC-50/60Hz-1~	1,05	4,5	14,2	30,5	10	19,3	0,75	61	606	D63

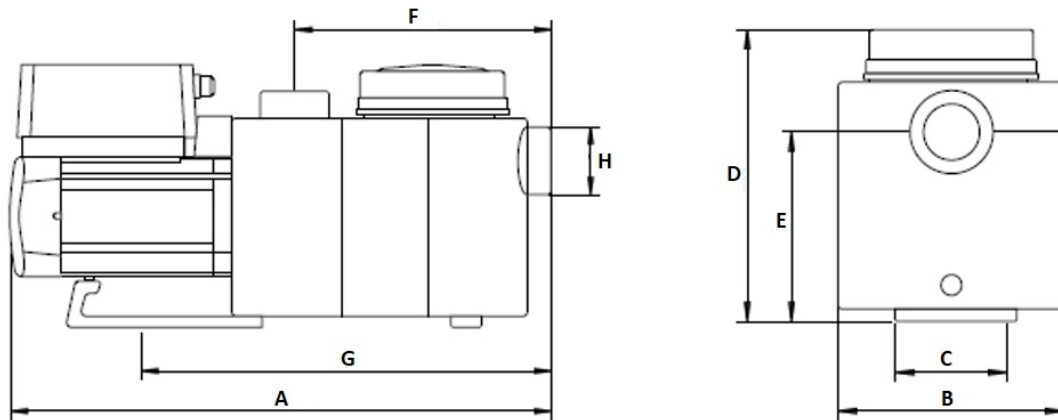
Features at full speed: 100%

VSP 75C and VSP 150C pumps include dry contacts: digital inputs kit with 2,5m cable

Maximum flow at Head of 4 m.c.w.

# BOMBA AQUASPHERE VSP AQUASPHERE VSP PUMP

## DIMENSIONES / DIMENSIONS



CODIGO CODE	TENSION VOLTAGE	DIMENSIONES/DIMENSIONS								PACKAGING	
		A	B	C	D	E	F	G	H	Kg	m <sup>3</sup>
75946	230V	606	224	111	295	187	288	460	∅63	18,10	0,053
75948	230V	606	224	111	295	187	288	460	∅63	18,10	0,053

## CURVAS DE RENDIMIENTO AH-Q/ PERFORMANCE CURVES AH-Q

