

# Easy Drain<sup>®</sup>

by ess

## Multi

Easy Drain Multi, the worlds most multifunctional linear shower drain, has various design grates and almost limitless application possibilities. The ABS trap body can be shortened to any height and is supplied with three water seals. If required, another type of Multi trap body can be ordered separately.

## FEATURES

- Available lengths - 500 - 2000 mm
- Grate - Height adjustable grate
- Drainage capacity - according to EN 1253
- Siphon - Easy to clean
- Supplied as - Complete set



### Manufacturer

Easy Sanitary Solutions  
Nijverheidsstraat 60 | 7575 BK Oldenzaal | The Netherlands  
T. +31 (0)541 200 800 | F. +31 (0)541 200 899  
info@esspost.com | www.easydrain.com

### Contact

Easy Sanitary Solutions  
Nijverheidsstraat 60 | 7575 BK Oldenzaal | The Netherlands  
T. +31 (0)541 200 800 | F. +31 (0)541 200 899  
sales@esspost.com | www.easydrain.com

## GENERAL

Serie	Multi
Name	Multi
Model	Rectangular shower drain
Length (mm)	500, 600, 700, 800, 900, 1000, 1100, 1200, 1300, 1400, 1500, 1600, 1700, 1800, 1900, 2000
Product type	Complete
Application	New construction, Renovation
Certification	EN1253, ETAG-022, DIN 18534

## INSTALLATION

Substrate	Concrete / Sand Cement, Wooden floors, Lewis sheets
Floor finish	Tiles / Mosaic, Glass Mosaic, Thin tiles
Height adjustable feet	Included
Installation option	Floor
Outlet	Horizontal (Vertical outlet optional)
Connection (mm)	50 (Global) / 56 (UK)
Min. installation depth (mm) (built-in set)	59
Min. installation depth (mm) (incl. grate)	79

## DRAINAGE

Max. drainage capacity entrance (l/min)	38
Max. drainage capacity wall (l/min)	49
Max. drainage capacity (l/min)	49

## BUILT-IN SET

Pre-assembled sealing membrane	Excluded
Siphon features	Cleanable, Pivotal & adjustable, Height adjustable
Water seal height (mm)	30 / 35 / 50
Outlet	Horizontal (Vertical outlet optional)
Material siphon	ABS

## DESIGN

Grate finish	Tile
Grate pattern	Zero / Closed
Grate width (mm)	81
Grate tile insert (mm)	12
Adjustable grate	Yes
Frame type	N.A.
TAF Frame material	N.A.
Design frame finish	N.A.
Frame width (mm)	N.A.
Wheelchair accessible	Yes
Extension set available	No



### Manufacturer

Easy Sanitary Solutions  
 Nijverheidsstraat 60 | 7575 BK Oldenzaal | The Netherlands  
 T. +31 (0)541 200 800 | F. +31 (0)541 200 899  
 info@esspost.com | www.easydrain.com

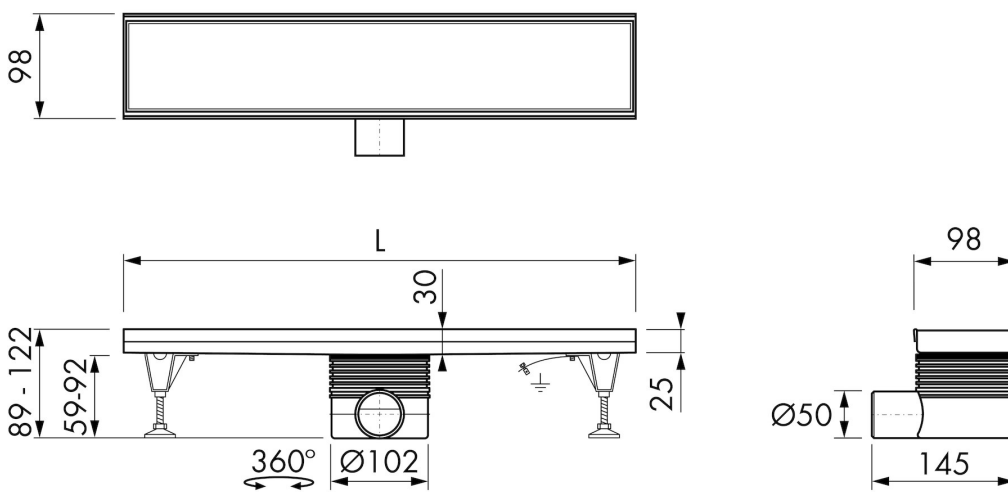
### Contact

Easy Sanitary Solutions  
 Nijverheidsstraat 60 | 7575 BK Oldenzaal | The Netherlands  
 T. +31 (0)541 200 800 | F. +31 (0)541 200 899  
 sales@esspost.com | www.easydrain.com

## ARTICLE CODE

500 mm	EDT500-50	1300 mm	EDT1300-50
600 mm	EDT600-50	1400 mm	EDT1400-50
700 mm	EDT700-50	1500 mm	EDT1500-50
800 mm	EDT800-50	1600 mm	EDT1600-50
900 mm	EDT900-50	1700 mm	EDT1700-50
1000 mm	EDT1000-50	1800 mm	EDT1800-50
1100 mm	EDT1100-50	1900 mm	EDT1900-50
1200 mm	EDT1200-50	2000 mm	EDT2000-50

## TECHNICAL DRAWINGS



### Manufacturer

Easy Sanitary Solutions  
 Nijverheidsstraat 60 | 7575 BK Oldenzaal | The Netherlands  
 T. +31 (0)541 200 800 | F. +31 (0)541 200 899  
 info@esspost.com | www.easydrain.com

### Contact

Easy Sanitary Solutions  
 Nijverheidsstraat 60 | 7575 BK Oldenzaal | The Netherlands  
 T. +31 (0)541 200 800 | F. +31 (0)541 200 899  
 sales@esspost.com | www.easydrain.com