

Airfield Lighting

Spare Part List

Omnidirectional Medium-Intensity Elevated Light
(IDM 2927)

- Approach Centre Line and Crossbars for Non-Category Lighting Systems



Note: *This page is blank for convenient double-sided printing.*

SPARE PART LIST OMNIDIRECTIONAL MEDIUM-INTENSITY ELEVATED LIGHT (IDM 2927)

This document includes a list of spare parts with exploded view examples.

Note: Contact Safegate Group for assistance with ordering spare parts.

Description	No.	Quantity	Code	Note
Body	1	1	10291	
O-ring D74x3	2	1	10302	
Gland	3	1	10299	
Lamp 45W, 6,6A	4	1	11991	
Bowl, clear Bowl, red	5, 6	1, 1	10293 10297	Clear/Red bowl incl fastening plate.
Screw kit	7, 8, 9	2, 2, 2	19193	M6x16, A2 M4x8, A2 M4x6, A2

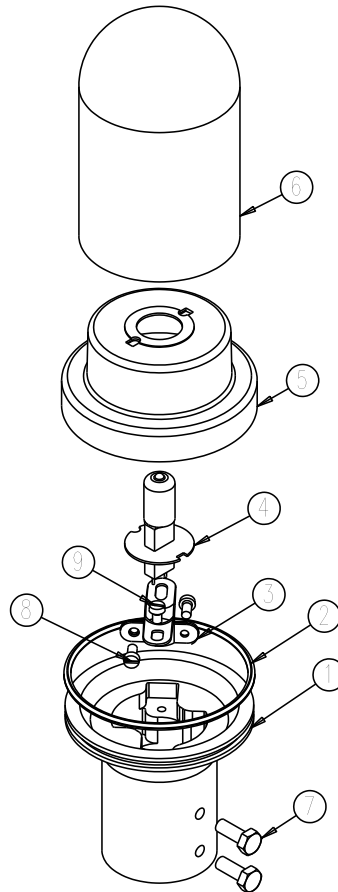


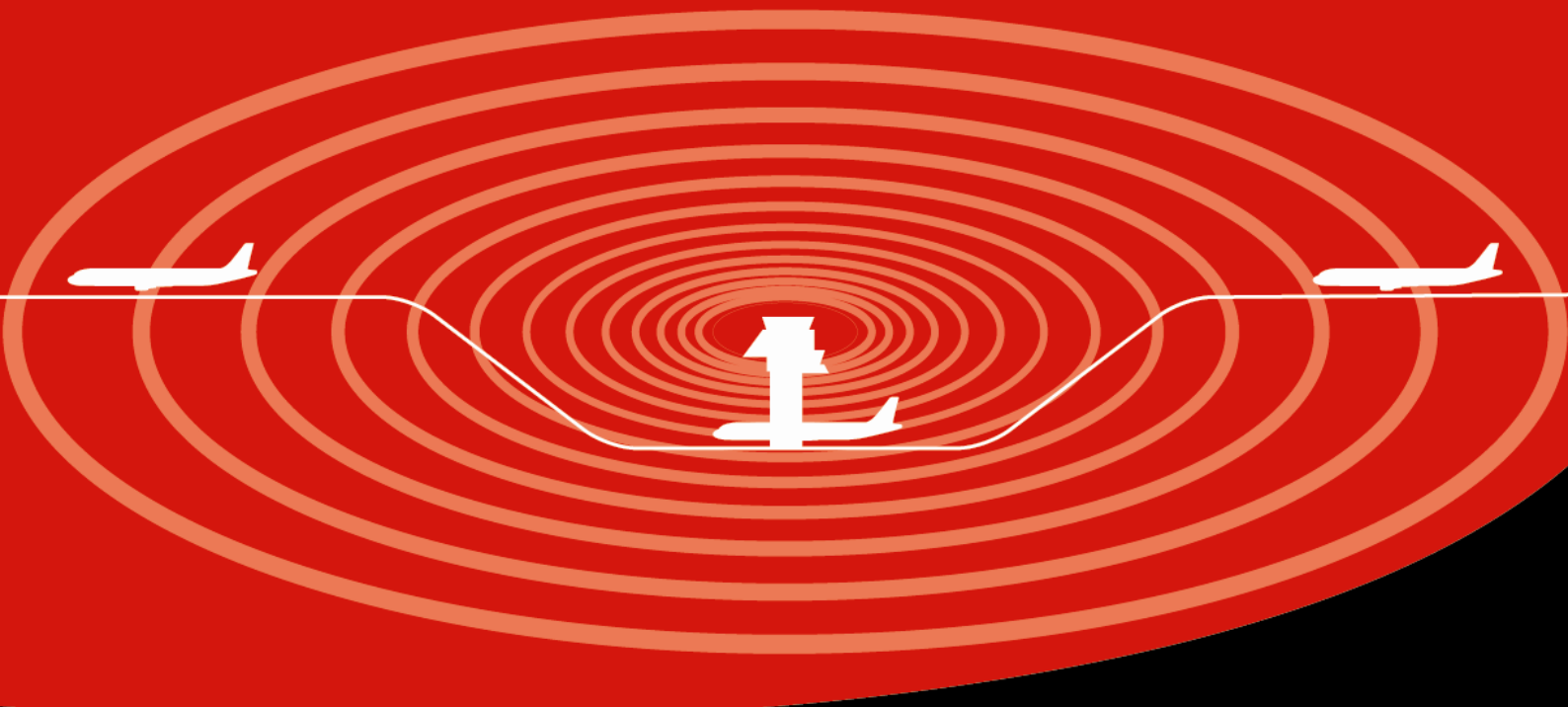
FIGURE 1

Check in to the future

How many aircraft can your airport handle today?
Can this number be increased without adverse effects on the airport's safety level?
It is a known fact that traffic volume will rise in the foreseeable future. More movements will demand monitoring of the entire airport. Requirements will be sharpened and the development of an integrated system

controlling not only ground movements but also air traffic close to the airport is of the highest interest.
The International Civil Aviation Organization (ICAO) already describes A-SMGCS, Advanced Surface Movement Guidance and Control System, as the answer to the future modern airport need to control the entire airport space in one superior system.

To a larger extent than today's systems, A-SMGCS will rely on automated processes to give both pilots and traffic controllers exact information about positions and directions. Safegate Group delivers complete A-SMGCS solutions already, as well as all vital parts relating to it. Safegate Group can check your airport into the future – today!



Safegate Group HQ

Djurhagegatan 19
SE-213 76 Malmö, Sweden
Phone: +46 (0)40 699 17 00
Fax: +46 (0)40 699 17 30
E-mail: market@safegate.com

Australia

australia@safegate.com
+61 (0)3 9720-3233

Austria

office@avibit.com
+43 316 429961

Brazil

brazil@safegate.com
+55 11 2137 4405

China

china@safegate.com
+8610-85275297

Dubai

dubai@safegate.com
+971 4 452 75 75

Finland

finland@safegate.com
+358 (0)20754 7700

France

france@safegate.com
+33 (0)1 42 99 60 40

Germany

germany@safegate.com
+49 (0)4121 464 303

India

india@safegate.com
+91 11 4106 1545

Malaysia

malaysia@safegate.com
+60 32 011 3522

Qatar

qatar@safegate.com
+974 436 9628

Russia

russia@safegate.com
+7 495 917 4614

Singapore

singapore@safegate.com
+65 6289 6893

Spain

spain@safegate.com
+34 917 157 598

UK

uk@safegate.com
+44 (0)208 573 0384

USA

usa@safegate.com
+1 763 535 92 99



Safegate Group offers solutions for increased safety, efficiency and environmental benefits to airports worldwide. The company was founded in 1973 and has its headquarters in Malmö, Sweden. Safegate Group has more than 70 partners around the globe in order to be close to its customers. Earlier members of Safegate Group include Thorn AFL and Idman, who both have over 40 years of experience in airfield lighting solutions for airports and heliports. The latest member of Safegate Group is Avibit, a leading provider of next generation software applications and integration of efficient air traffic control systems. Safegate Group's complete range of products and services, a "one-stop shop", provides solutions to customers and airborne travellers around the globe.