

Airfield Lighting

Spare Part List

SAGA

System of Azimuthal Guidance for Approach (SAGA)

THORN
Airfield Lighting



Note: *This page is blank for convenient double-sided printing.*

SAGA SPARE PART LIST

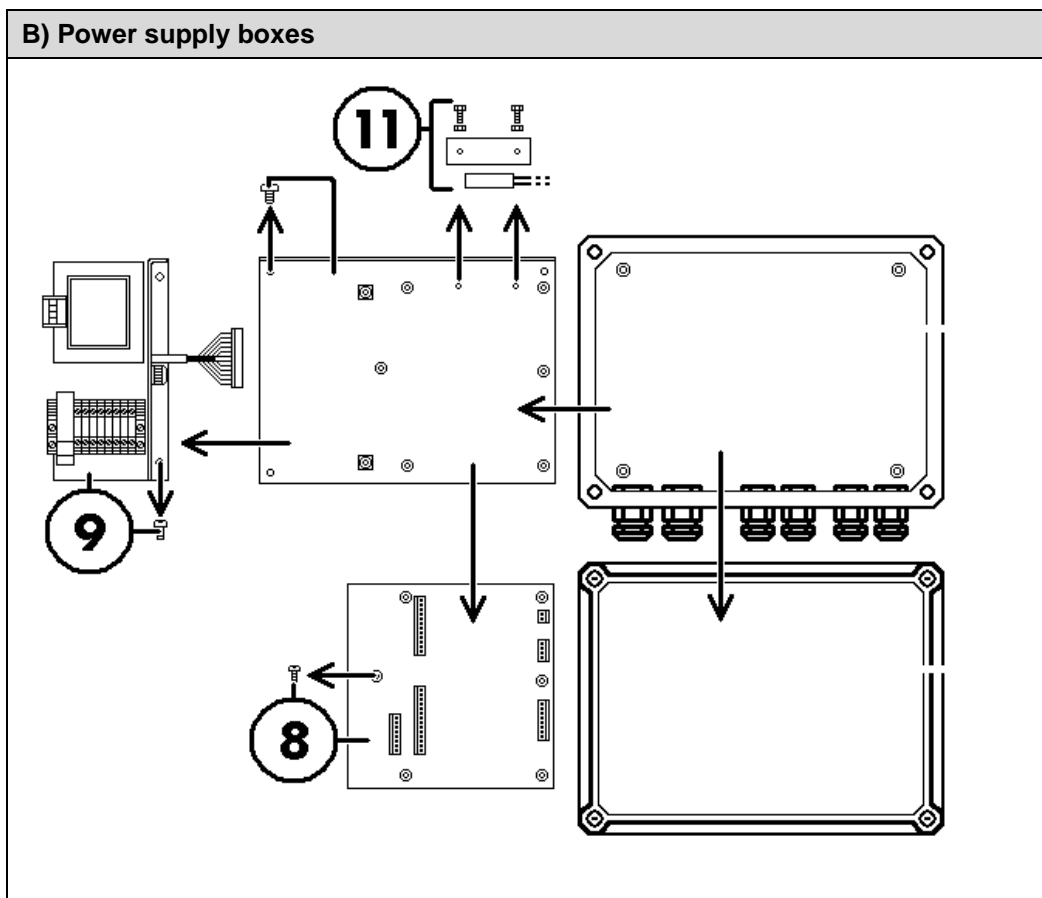
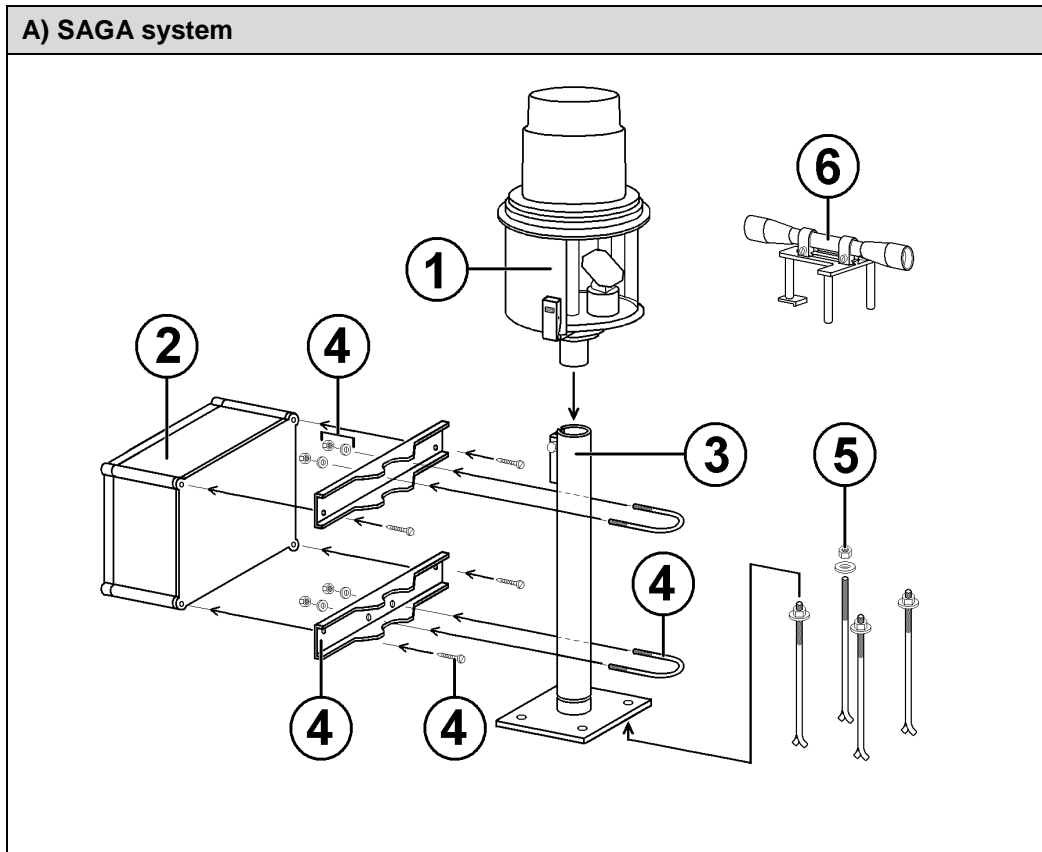
The following is a list of spare parts and a view on the next page for the SAGA system.

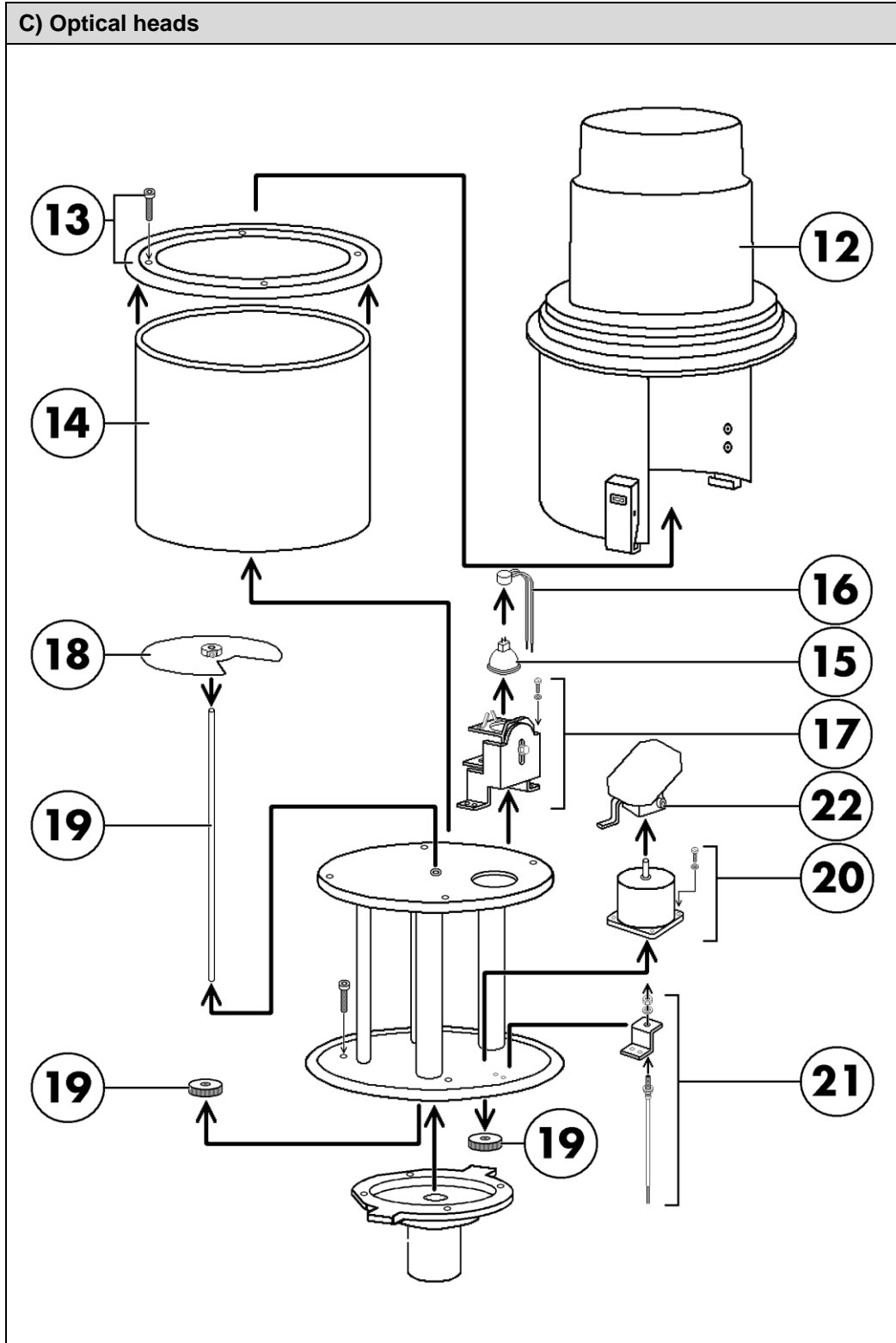
Note: Contact Safegate Group for assistance with ordering spare parts.

Item	Description	Quantity per		Code	Old Code
		system	code		
A	SAGA SYSTEM				
1	Complete optical head	2	1	12518	96215639
2	Power supply box	2			
	- Master box		1	16450	96261301
	- Slave box		1	16561	59004736
3+4+5	Leg + fixing accessories	2	1	13596	99001229
6	SAGA adjusting tool	1	1	11906	96102496
B	POWER SUPPLY BOXES				
8	Electronic PCB with fixing screws	2			
	- For Master		1	16562	59004738
	- For Slave		1	16563	96261353
9	Power supply block with fixing screws	2	1	16564	59004735
11	Heating resistor	2	1	15103	96217265
	Set of fuses for power supply boxes	2	1	16565	59004734
C	OPTICAL HEADS				
12	Optical head cover	2	1	16337	59004712
13+14	Protection glass with fixing ring	2	1	16566	96261253
15	100W 12V halogen Lamp	2	1	14712	96200950
16	Lamp terminal	2	1	16567	96261255
17*	Complete lamp support with fixing screws	2	1	16568	96261254
18+19	Rotation axis with shutter and a set of two gears	2	1	16569	96261257
20*	Step by step motor with fixing screws	2	1	15104	96217266
21*	Position sensor with fixing accessories	2	1	16570	96261251
22*	Mirror block	2	1	16571	96261256
	Heating resistor with its fixing accessories	2	1	15103	96217265

*The SAGA unit must be adjusted after change of these parts

Note: Component availability or design may be subject to change due to unforeseen circumstances. This document is subject to change or new information from Safegate Group, as and when available or if required, with reservation for error or price changes. Contact Safegate Group for assistance with ordering spare parts.





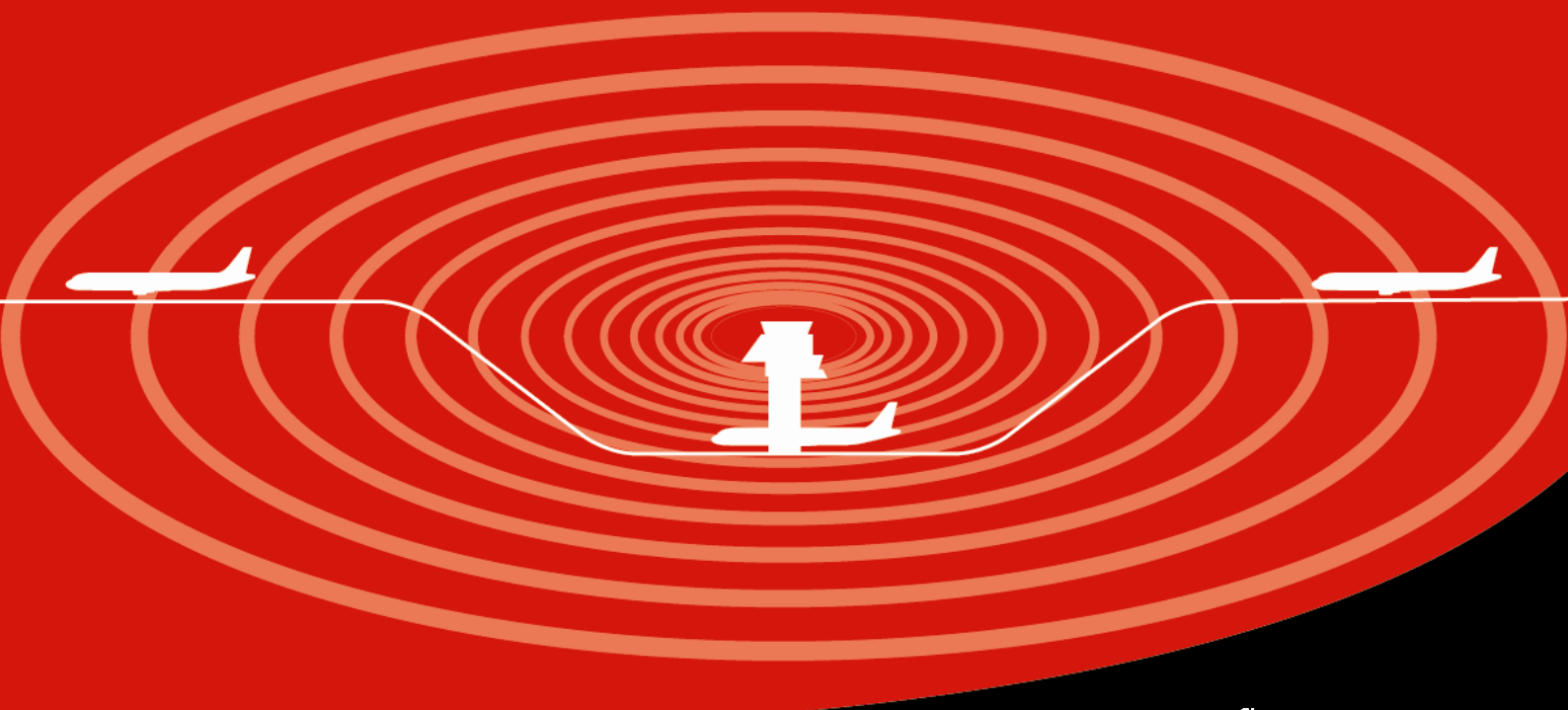
Note: *This page is blank for convenient double-sided printing.*

Check in to the future

How many aircraft can your airport handle today?
Can this number be increased without adverse effects on the airport's safety level?
It is a known fact that traffic volume will rise in the foreseeable future. More movements will demand monitoring of the entire airport. Requirements will be sharpened and the development of an integrated system

controlling not only ground movements but also air traffic close to the airport is of the highest interest.
The International Civil Aviation Organization (ICAO) already describes A-SMGCS, Advanced Surface Movement Guidance and Control System, as the answer to the future modern airport need to control the entire airport space in one superior system.

To a larger extent than today's systems, A-SMGCS will rely on automated processes to give both pilots and traffic controllers exact information about positions and directions. Safegate Group delivers complete A-SMGCS solutions already, as well as all vital parts relating to it. Safegate Group can check your airport into the future – today!



Safegate Group HQ
Djurhagegatan 19
SE-213 76 Malmö, Sweden
Phone: +46 (0)40 699 17 00
Fax: +46 (0)40 699 17 30
E-mail: market@safegate.com

Australia
australia@safegate.com
+61 (0)3 9720-3233

Brazil
brazil@safegate.com
+55 11 2137 4405

China
china@safegate.com
+8610-85275297

Dubai
dubai@safegate.com
+971 4 452 75 75

Finland
finland@safegate.com
+358 (0)20754 7700

France
france@safegate.com
+33 (0)1 42 99 60 40

Germany
germany@safegate.com
+49 (0)4121 464 303

India
india@safegate.com
+91 11 4106 1545

Malaysia
malaysia@safegate.com
+60 32 011 3522

Oatar
qatar@safegate.com
+974 436 9628

Russia
russia@safegate.com
+7 495 917 4614

Singapore
singapore@safegate.com
+65 6289 6893

Spain
spain@safegate.com
+34 917 157 598

UK
uk@safegate.com
+44 (0)208 573 0384

USA
usa@safegate.com
+1 763 535 92 99

THORN **IDMAN**
Airfield Lighting

SAFEGATE
GROUP 

Safegate Group offers solutions for increased safety, efficiency and environmental benefits to airports around the world. The company was founded in 1973 and has its headquarters in Malmö, Sweden. Safegate Group has over 70 partners around the globe in order to be close to its customers. The latest members of Safegate Group, Thorn AFL and Idman, have both over 40 years of experience in airfield lighting solutions for airports and heliports worldwide. Safegate Group's complete range of products and services, a "one-stop shop", provides solutions to customers and airborne travellers around the globe.

For more contact information and details:
www.safegate.com