

OBSTRUCTION & BEACONS

RB36

Refurbished & Retrofitted Rotating Airport Beacon 36"



Uses

Beacons are designed primarily for night operation as identification and location markers for airports.

Features

- Patented belt-drive system eliminates the lubrication required by conventional gear-drive beacons. (U.S. Patent No. 5,339,224)
- Available for exchange or direct purchase
- One 36,000 lumen, 400 watt metal-halide lamp
- 20,000 hour typical lamp life (3-4 years)
- One clear lens and one aviation green lens
- Thermally-protected motor eliminates burn outs
- 12 rpm rotation, 24 flashes per minute
- All new stainless steel fasteners
- Plated steel parts
- All new Teflon-coated wire
- Lamps preset at 5° above horizontal, adjustable
- Weatherproof aluminum housing with powder-coated international orange finish
- Winterization option available for cold climates
- Optional photocell and/or tell-tale relay
- Warranty-Two years on parts and one year on labor (excludes lamps)
- Electrical Power - The beacon operates on 120 VAC, 60 Hz. Contact the ADB SAFEGATE Sales Department for 220-240 VAC options.
- Power Consumption-Class I: 635 W; Class II: 1035 W with winterization option
- Refurbished and retrofitted in the USA by Hali-Brite, Inc.

Operating Conditions

Temperature: Class I: -22 °F to +131 °F (-30 °C to +55 °C)
Class II: -67 °F to +131 °F (-55 °C to +55 °C)
Wind: Velocities up to 100 mph (161 kph)

Ordering Code

44A4839 - X X X 0

Refurbished Condition

- 3 = 400 W without exchange of core
- 4 = 400 W with exchange of core

Drive and Base

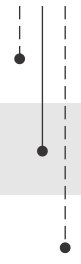
- 1 = Belt-Driven, Std. Base
- 3 = Belt-Driven, Triangle Base

Power

- 0 = 120 VAC, 60 Hz, without heater, Class I
- 2 = 120 VAC, 60 Hz, with heater, Class II

Notes:

- 220-240 VAC available. Contact the ADB SAFEGATE Sales Dept.
- Add tell-tale relay for monitoring (see options below).



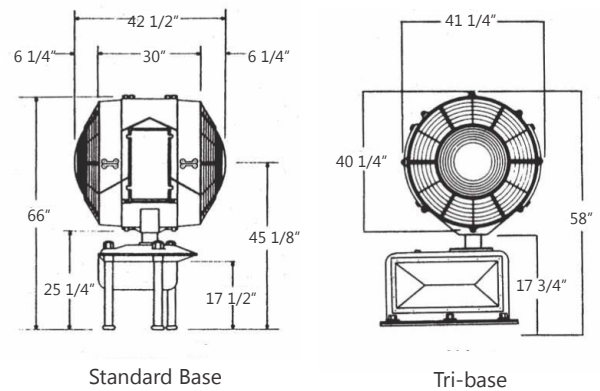
Optional Accessories

Description	Part No.
Tell-Tale Relay, 120 VAC	L802 T/T DCB 36

Packaging

Cube Shipping	48 × 48 × 77 in (122 × 122 × 196 cm)
Volume:	
Weight:	450 lb (204.12 kg) - not packaged 950 lb (431 kg) - shipping

Dimensions



www.adbsafegate.com

Product specifications may be subject to change, and specifications listed here are not binding. Confirm current specifications at time of order.