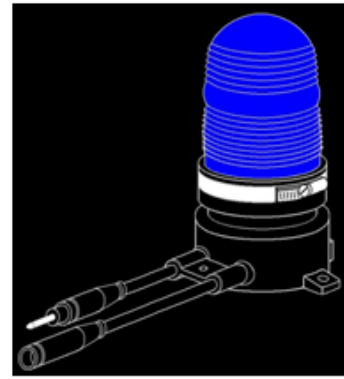


# Taxiway Lighting

## F-18

### Omni or Bidirectional Medium-/Low-Intensity Transformer Light



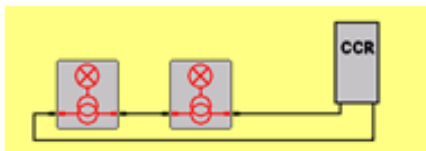
#### Compliance

ICAO: Annex 14 Volume I and II

#### Uses

F18 is an omnidirectional medium/low-intensity transformer light fitting. The F18 design is extremely versatile to meet the demands of variety of systems.

- Taxiway Edge
- Apron Edge
- Runway Simplified Approach (medium intensity)
- Runway Edge (medium intensity)
- Runway Threshold and End (low intensity)
- Heliport TLOF edge



#### Features & Benefits

- Small civil aerodromes used for seasonal transportation and oil or mining exploration/production.
- Section of civil airport during maintenance periods.
- Fixed or temporary military aerodromes or helipads.
- Owing to its simple and sturdy design this light forms the basic element of modular and portable lighting system.
- The F18 can be mounted by use of a stake or fixed onto concrete using a sealed rod. This will apply to either a paved or non-paved application for runway, taxiway or apron areas as well as offshore platforms.
- The F18 can fulfil various AFL functions such as Approach lighting, Runway Edge/Threshold/End, Taxiway Edge, Apron Edge and Heliport TLOF.

#### Technical Characteristics

Component	Description
<b>Lamp:</b>	PK45D lamp of 45 Watts at 6.6 Amps. The lamp life is greater than 1,000 hours at 6.6 Amps.
<b>Power Supply:</b>	The F18 includes an integral 5 kV isolating transformer rated at 30/45 Watts, 6.6 amps, 50/60 Hz. The F18 must be connected to a series circuit using a suitable rated 6 mm <sup>2</sup> primary cable equipped with FAA style 2/9 or 3/10 plug and socket.
<b>Photometry:</b>	Distribution and homogeneity comply with Appendix 2 of ICAO Annex 14 Volume I.
<b>Color:</b>	Obtained by full coloured glass dome (Blue, Yellow, Red and Green). Chromaticity complies with Appendix 1 of ICAO Annex 14 Volume I. Transmission Factors: Blue=0.04, Yellow=0.45, Green=0.25, Red=0.20. Optical Lenses with two colors (180° for both colours) are available.
<b>Day marking cone:</b>	Optionally the day marking of the F18 light can be made using the "Day Marking Cone" accessory.
<b>Fitting height:</b>	213 mm.
<b>Net Weight:</b>	3.6 kg.

# Taxiway Lighting

## F-18

### Packing Data

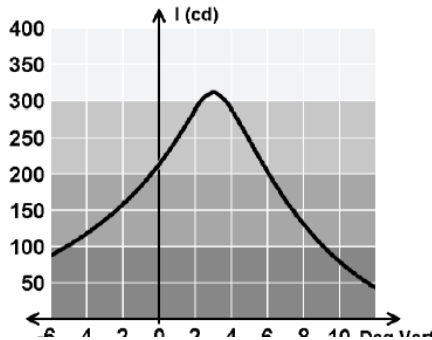
Designation	Volume m3	Dimensions mm	Weight Kg
F18 fitting without lamp and optical lens	0.005	240 × 140 × 135	3.0
PK45D 45W Lamp	0.027	520 × 260 × 200	3.5
Optical lens (× 6)	0.012	330 × 230 × 160	5.4
Frangible flange		In Bulk	
Mounting stack and accessories		In Bulk	0.35
Sealing rod and accessories		In Bulk	0.30
Tripod stand for frangible tube (× X)			
Long frangible tube (× X)			
Short frangible tube (× X)			
Day marking cone	0.032	410 × 410 × 185	0.5

### Photometrics

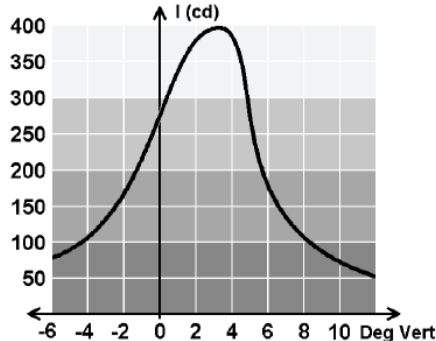
This section includes photometric examples of different light configurations.

#### Photometric examples

F18  
With Clear Optical Lens (Green)  
Pk45D 45 W Lamp



F18  
With Clear Optical Lens (White)  
Pk45D 45 W Lamp

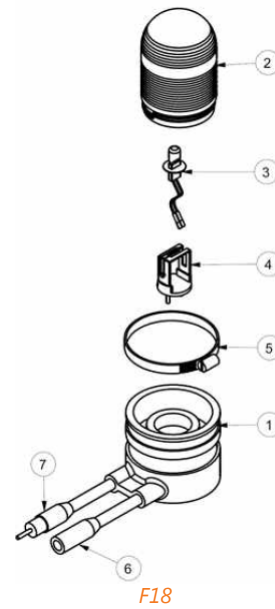


### Design

#### Components

1. Body
2. Optical lens
3. Pk45D lamp (45 Watts)
4. Pk45D lamp holder
5. Clamping ring
6. Primary cable (female plug)
7. Primary cable (male plug)

Option: Day making cone



**Installation**

The F18 fitting can be placed directly on the ground or fixed on a:

- Mounting Stack, see A in FIG 1.
- Sealing Rod, see B in FIG 2.
- Tripod Stand equipped with a frangible tube, see C in FIG 3.

In all cases, the F18 is fixed on ground fixing accessories using a Frangible Flange, see D in the figures. Connection to a series circuit cable from a trench is simplified due to the position of the F18 primary connectors.

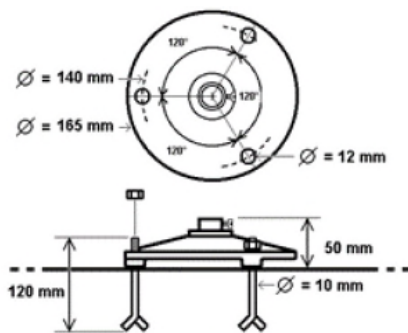
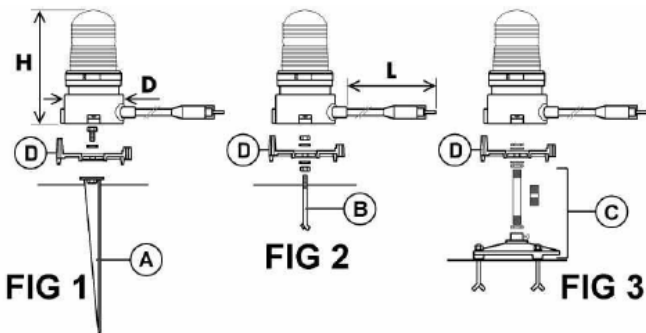


FIG 4 - TRIPOD STAND SIZES

*Mounting examples*

For more information about the product, including manuals and certifications, please see our Product Center on the ADB SAFEGATE website: [www.adbsafegate.com](http://www.adbsafegate.com).

**Ordering Codes**

The table below is a guide to order codes for a fitting with available component parts.

Description		Order code
<b>F18 Fitting</b>	Fitting body without optical lens and lamp	F18 BODY
<b>F18 Optical lens One colour 360°</b>	White Blue Red Green Yellow	F18 FILTER / W F18 FILTER / B F18 FILTER / R F18 FILTER / G F18 FILTER / Y
<b>Two colours 180° each</b>	White / Yellow White / Red Green / Red	F18 FILTER / W / Y F18 FILTER / W / R F18 FILTER / G / R
<b>Accessories for F18 ground fixation</b>	Frangible flange Mounting stack Sealing rod Tripod stand for frangible tube	F18 FRANGIBLE_FLANGE F18 FIXING_STAKE F18 FIXING_SEAL_ROD F2.1 TRIPOD_STAND
<b>Frangible tube</b>	Long frangible tube Short frangible tube	F2.1 LONG_FT F2.1 SHORT_FT
<b>Day marking cone (Option)</b>		F18 DAY_MARKING_CON

**Note:** All descriptions and photometric characteristics in this publication present only general particulars and shall not form part of any contract. The right is reserved to change them without prior notification.