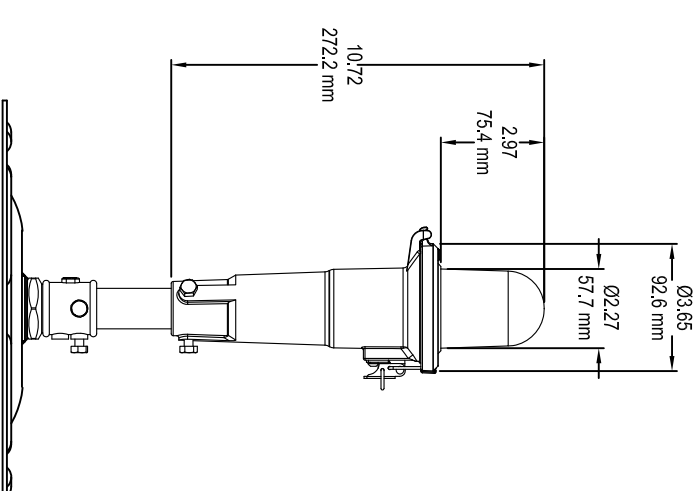


EXAMPLE OF BASE MOUNTED L-861 FIXTURE INSTALLATION
IN EXISTING SHOULDER SECTION



REFERENCE DIMENSIONS

- NOTES:
1. APPLY ANTI-SIZE COMPOUND TO THREADS OF FRANGIBLE COUPLING WHEN INSTALLING NEW OR REPLACING EXISTING L-861.
 2. AVAILABLE IN STANDARD HEIGHTS OF 14, 18, 20, 24, AND 30 INCHES.
 3. ADB AIRFIELD SOLUTIONS LED FIXTURE PART NUMBER EM1XXXXXXX0.
 4. ISOLATION TRANSFORMER POWER RATINGS ARE SPECIFIED ON THE EMX CATALOG SHEET.

CONTROLLED COPY
Unauthorized duplication of this document in whole or part is prohibited. Indicated in RED
ink below indicates authorized copy.



ADB Airfield Solutions
P.O. Box 30829 Tel: (614) 861-1304
977 Gahanna Parkway Fax: (614) 864-2089
Columbus, OH 43230

DRAWING TITLE:
EMIX INSTALLATION
LED ELEVATED RUNWAY EDGE LIGHT

REV.	DATE	DESCRIPTION	BY	CHK
A	---	PRODUCTION RELEASE	DLR	12AUG16
REV 1	ECO	REVISION DESCRIPTION	BDW	REV
LED L NUMBER	---	---	---	---
ASSIGNED DRAWING NUMBER	---	---	---	---
EMIXXXXXXXX0	D RUFFINI	DRAWING DATE	12AUG16	---

Information contained on this drawing is to be used expressly in accord with purpose for which it was submitted. Any disclosure of this information is strictly prohibited except as ADB Airfield Solutions, Inc. may otherwise agree in writing. Copyright © 2011 ADB Airfield Solutions.

SCALE: N/A DRAWING NUMBER: 117A0093 SHEET NUMBER: 1 of 1 REV: A

CAUTION:

THIS DRAWING IS ONLY INTENDED FOR USE AS GENERAL AIRFIELD SYSTEM DESIGN GUIDANCE. THE DESIGNER MUST VERIFY DESIGN WITH LOCAL CODES AND VARYING CHARACTERISTICS FOR EACH UNIQUE AIRFIELD APPLICATION.