

Airfield Lighting

Spare Part List

8" Unidirectional High-Intensity Inset Light (INL-RG)

- Runway Guard Light
- L-852S Stop Bar



Note: *This page is blank for convenient double-sided printing.*

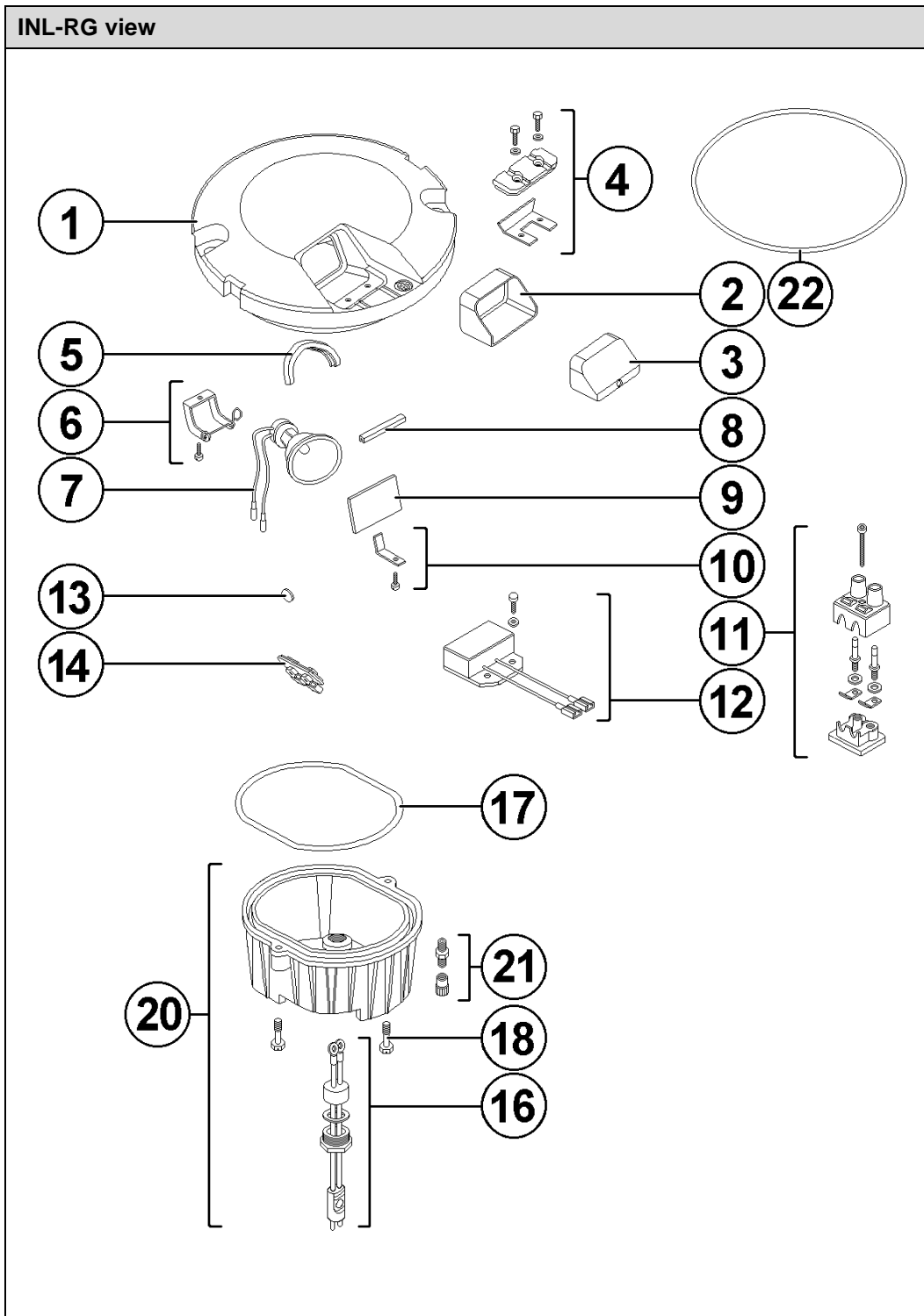
SPARE PART LIST
8" UNIDIRECTIONAL HIGH-INTENSITY INSET FLASHING DUAL LIGHT
(INL-RG)

The following is a list of spare parts and a view on the next page for INL-RG fittings.

Note: Contact Safegate Group for assistance with ordering spare parts.

Item	Description	Quantity per		New Code	Old code
		fitting	code		
1	Top cover	1	1	12935	-
2	Prism gasket	1	5 50	13077 13078	96217067 96217068
3	Prism	1	5	13079	96217069
4	Prism clamp kit with fixing screws, washers and Teflon plate	1	5	13080	96217070
5	Lamp support for 105W lamp (heat resistant)	1	5	13081	96217071
6	Lamp fixing spring and its screw	1	2	13082	To be advised
7	Reflector lamp 105W 6.6 A D50mm	1	1	11881	96219206
8	Deviator / filter protection gasket	50 mm	1000 mm	12835	96216782
9	Yellow filter Red filter	1	5 5	13083 12078	96217073 96217074
10	Filter fixing spring and screw	1	5	13195	96217220
11	Cable terminal	1	2	13085	96217076
12	Cut out relay	1	1	12553	96215697
13	Film disk cut out	1	10 100	13086 13199	96217077 96217224
13/14	Film disk cut out and holder	1	2	13087	96217078
16	Cable subassembly for long cover with: FAA secondary plug, compression packer	1	1	12659	96215730
17	Cover gasket	1	10 50	13088 13089	96217079 96217080
18	Cover screw	2	20	13090	96217081
20	Equipped long cover	1	1	14771	96216740
21	Valve	1	10	13091	96217082
22	O-ring gasket for 8" base	1	10 50	13092 11566	96217083 96217084

Note: Component availability or design may be subject to change due to unforeseen circumstances. This document is subject to change or new information from Safegate Group, as and when available or if required, with reservation for error or price changes.
* Contact Safegate Group for assistance with ordering spare parts.



Note: *This page is blank for convenient double-sided printing.*

Check in to the future

How many aircraft can your airport handle today?
Can this number be increased without adverse effects on the airport's safety level?
It is a known fact that traffic volume will rise in the foreseeable future. More movements will demand monitoring of the entire airport. Requirements will be sharpened and the development of an integrated system

controlling not only ground movements but also air traffic close to the airport is of the highest interest.
The International Civil Aviation Organization (ICAO) already describes A-SMGCS, Advanced Surface Movement Guidance and Control System, as the answer to the future modern airport need to control the entire airport space in one superior system.

To a larger extent than today's systems, A-SMGCS will rely on automated processes to give both pilots and traffic controllers exact information about positions and directions. Safegate Group delivers complete A-SMGCS solutions already, as well as all vital parts relating to it. Safegate Group can check your airport into the future – today!



Safegate Group HQ

Djurhagegatan 19
SE-213 76 Malmö, Sweden
Phone: +46 (0)40 699 17 00
Fax: +46 (0)40 699 17 30
E-mail: market@safegate.com

Australia

australia@safegate.com
+61 (0)3 9720-3233

Austria

office@avibit.com
+43 316 429961

Brazil

brazil@safegate.com
+55 11 2137 4405

China

china@safegate.com
+8610-85275297

Dubai

dubai@safegate.com
+971 4 452 75 75

Finland

finland@safegate.com
+358 (0)20754 7700

France

france@safegate.com
+33 (0)1 42 99 60 40

Germany

germany@safegate.com
+49 (0)4121 464 303

India

india@safegate.com
+91 11 4106 1545

Malaysia

malaysia@safegate.com
+60 32 011 3522

Qatar

qatar@safegate.com
+974 436 9628

Russia

russia@safegate.com
+7 495 917 4614

Singapore

singapore@safegate.com
+65 6289 6893

Spain

spain@safegate.com
+34 917 157 598

UK

uk@safegate.com
+44 (0)208 573 0384

USA

usa@safegate.com
+1 763 535 92 99

THORN
Airfield Lighting

IDMAN

avibit
AIR TRAFFIC SOLUTIONS

SAFEGATE
GROUP 

Safegate Group offers solutions for increased safety, efficiency and environmental benefits to airports worldwide. The company was founded in 1973 and has its headquarters in Malmö, Sweden. Safegate Group has more than 70 partners around the globe in order to be close to its customers. Earlier members of Safegate Group include Thorn AFL and Idman, who both have over 40 years of experience in airfield lighting solutions for airports and heliports. The latest member of Safegate Group is Avibit, a leading provider of next generation software applications and integration of efficient air traffic control systems. Safegate Group's complete range of products and services, a "one-stop shop", provides solutions to customers and airborne travellers around the globe.

www.safegate.com