

RELIANCE

Runway Guard Light Unidirectional elevated



Compliance with Standards

ICAO: Annex 14 Volume 1 (Current Edition)

IEC: 61827

EASA: CE-ADR-DSN

Uses

This elevated light fixture is an alternately flashing, unidirectional LED-based light fixture provided with yellow LEDs.

- Runway Guard Light (ICAO §5.3.23)

Features & Benefits

- Available as RELIANCE® IQ with integrated intelligence
- Optionally available with RELIANCE integrated fail-open (Mon) technology
- Fully encapsulated all-in-one electronics
- Built-in voltage surge and lightning protection
- Light-emitting diode (LED) technology that offers a long lasting light source with low power consumption
- No visual flicker .
- IP68 protected, anodized and powder coated aluminum housing designed for harsh weather environments (all fastenings in stainless steel)
- Operational on 3- or 5-step ferroresonant or thyristor CCRs designed in compliance with IEC or FAA requirements
- Easy handling and maintenance by modular design with few mechanical parts
- Compatible with existing infrastructure

Operating Conditions

Humidity: Up to 100%
Operating Temperature: -55 °C to +55 °C / -67 °F to +131 °F
Storage Temperature: -55 °C to +75 °C / -67 °F to +167 °F

Weight

Fixture Weight: 11 kg / 24.4 lb
Packaging Weight: 12 kg / 26.7 lb
Packaging: 775 × 390 × 260 mm /
30.8 × 15.5 × 10.3 in

Power Supply

An integrated, encapsulated 6.6 A electronic converter. Two-pole L-823 plug for connection to the transformer. Power factor typically >0.9 @ 6.6 A.

Fixture Type	Load Data
Runway Guard Light 6.6 A - Yellow	Fixture Load: 32 W ¹

Notes

¹ For non IQ applications, use a minimum of 65 W transformer.

Note: For all IQ applications, please refer to manual within section 3.3.3 - transformer selection guidelines.

Configuration Description

Function

The IQ functionality allows control and monitoring of the RELIANCE IQ. IQ1 fixtures are pre-configured for the specific position at delivery. This function is disabled in IQ0 fixtures but could be enabled later.

Mon = Option fail - open monitoring technology.

Power Supply

6.6A = 2.8 – 6.6A

Mains Frequency

RELIANCE RGL-E fixtures with IQ functionality are offered both as configurations with 50Hz and 60Hz flash frequency.

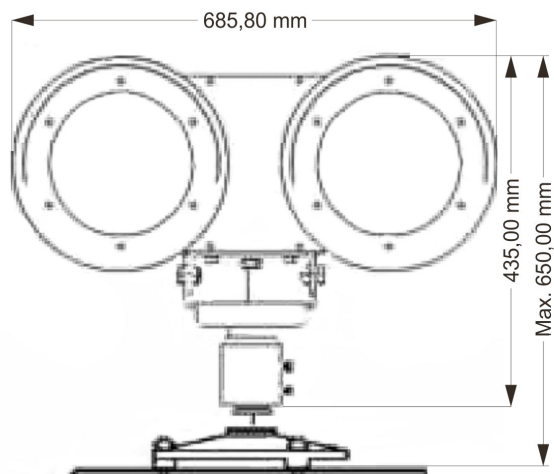
RELIANCE

Configurations	Ordering Code
SLIQ1-RGL-E-6,6A-IEC-50	SERGS5US0YNQIA61
SLIQ1-RGL-E-6,6A-IEC-60	SERGS6US0YNQIA61
SLIQ0-RGL-E-6,6A-IEC-50	SERGS5US0YNPIA61
SLIQ0-RGL-E-6,6A-IEC-60	SERGS6US0YNPIA61
2" BSP Frangible Coupling for RE-RGL	SGE.SP14884
2" BSP Tripod Stand for RE-RGL	SGE.SP12534
2" NPS Frangible Coupling RE-RGL	SGE.SP14888
2" NPS Tripod Stand for RE-RGL	SGE.SP12532

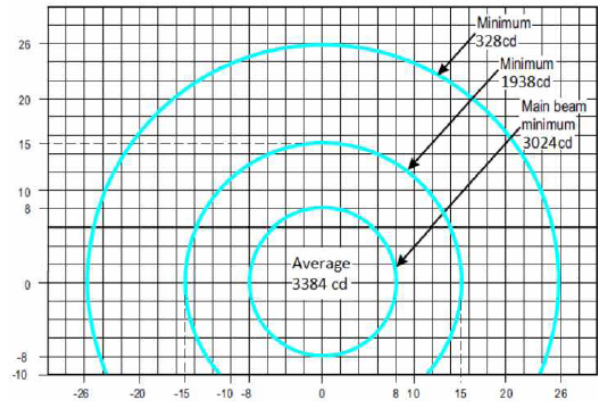
Dimensions

435.00 mm: Light fixture height exclusive frangible coupling and baseplate.

Max. 650.00 mm: Maximum total light fixture height inclusive frangible coupling and baseplate to comply with IEC 61827.



Photometric Data



For more information about the product, please see the Product Center on our website: www.adbsafegate.com.

www.adbsafegate.com

Product specifications may be subject to change, and specifications listed here are not binding. Confirm current specifications at time of order.