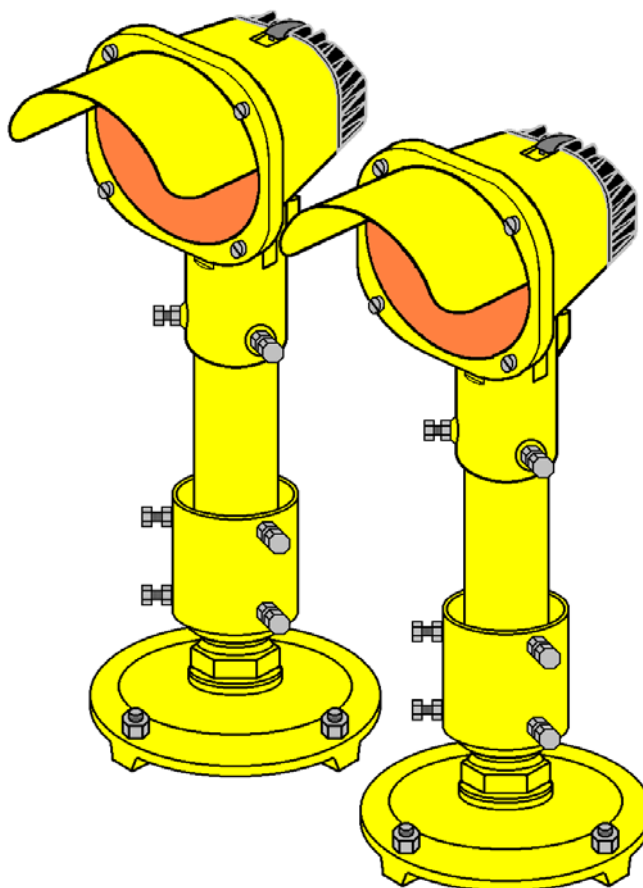


**SPARE PARTS LIST
for EL-RGL**

DOC 4305.E



THORN

Airfield Lighting

www.thornairfield.com

THORN EUROPHANE
156 bd Haussmann
75379 Paris
Cedex 08
FRANCE
Tel : +33 (0) 1 49 53 62 62
Fax : +33 (0) 1 49 53 62 89

thornairfield@thorn.fr

Thorn DNT Airfield Lighting
7-9 Newcastle Road
Bayswater Victoria 3153
AUSTRALIA
Tel : +61 (0) 3 97 20 32 33
Fax : +61 (0) 3 97 20 82 33

enquiries@thornairfield.com

THORN LIGHTING
3 King George Close
Eastern Avenue West
Romford, Essex RM7 7PP
UNITED KINGDOM
Tel : +44 (0) 1708 776 289
Fax : +44 (0) 1708 742 322

airfield@thornlight.com

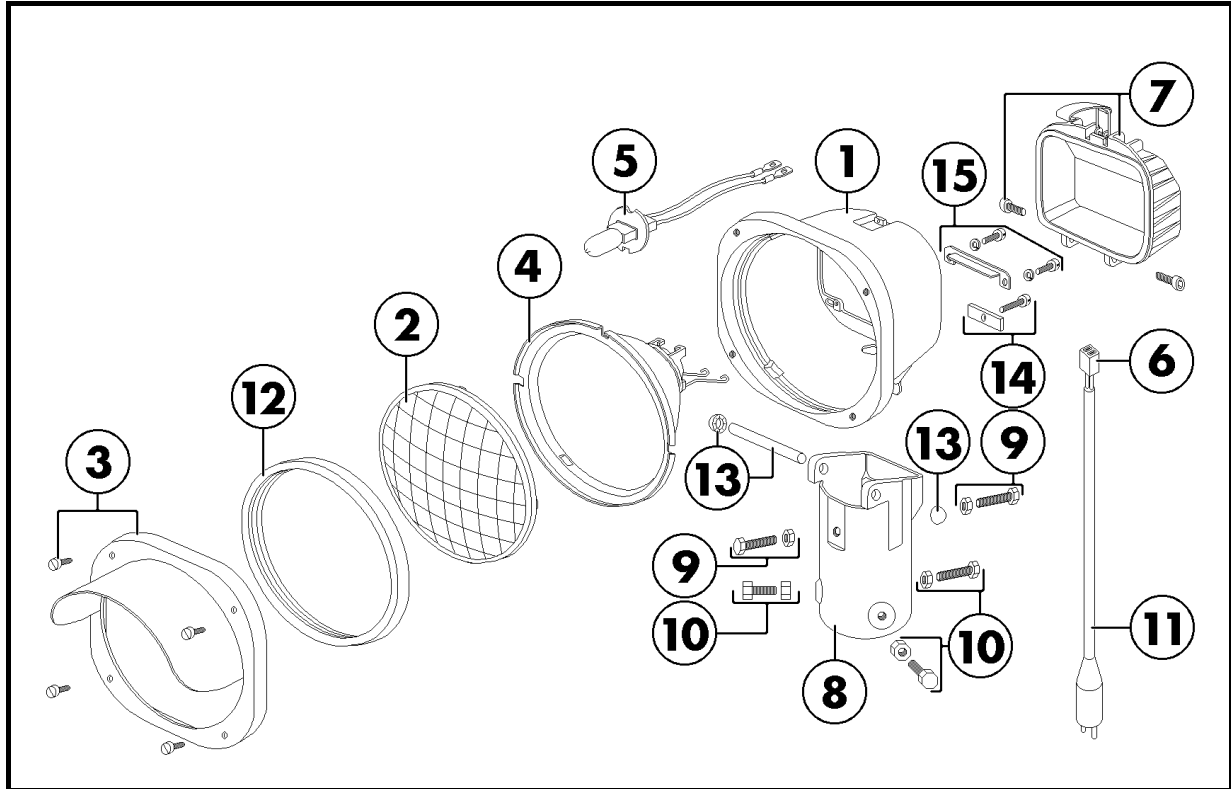
Thorn Lighting CLK Limited
Unit 4301, Level 43, Tower 1,
Metroplaza
223 Hing Fong Road, Kwai Chung,
HONG KONG
Tel : +852 (0) 2988 4128
Fax : +852 (0) 2988 4139

adminhk@thornclkaf.com.hk

Record of Changes of Documentation 4305.E

Revision	Designation	Editor	Checked	Date
1	First issue	JMD	JPB	October 2003
2	Addition of new ordering code	FR		August 2005

CODES FOR SPARES PARTS



Item	Designation	Quantity per fitting	Quantity per code	New Code	Old Code
1	Body	1		Not for Sale	Not for Sale
2	Yellow front glass	1	1	96216757	500784
3	Front clamping ring with fixing screw - Without sun hood - With sun hood	1	1	96215750	48644 ????
4	Polished Aluminium reflector with lamp support	1	1	96215689	47771
5	PK30d prefocused halogen lamp - 200 Watts at 6.6 Amps - 150 Watts at 6.6 Amps - 100 Watts at 6.6 Amps - 45 Watts at 6.6 Amps	1	1	96200912 96200949 96200913 96200914	23226 47149 23227 24085
6	Cable terminal	1	1	96216594	500205
7	Rear door for access to lamp with closing spring and fixing screws	1	1	96215709	48266
8	Hinged support	1	1	Not for Sale	Not for Sale
6/11	Two-pole cable with FAA secondary plug	1	1	96216759	500786
12	Front glass gasket	1	1	96216758	500785
9/ 10/ 13/	Locktight screw for elevation angle locking + Locktight screw for fixing on the support + Hinged axis with stop	1 Batch	1	96217223	502016
14/ 15	Cable fixating spring and screws + Bar and screw	1 Batch	1	96217222	502015

a) For the associated "Flashing Module FL45-500" see spare parts list Doc 4509.E

b) For "Mounting Accessories" see spare parts list Doc 4401.E