

Airfield Lighting

Spare Part List

12" Uni-/ Bidirectional High-Intensity Inset Light (INL-RN, INL-RET)

- Runway Threshold
- Runway End
- Approach (medium-intensity)
- Runway End and Threshold



INL -RET



Note: *This page is blank for convenient double-sided printing.*

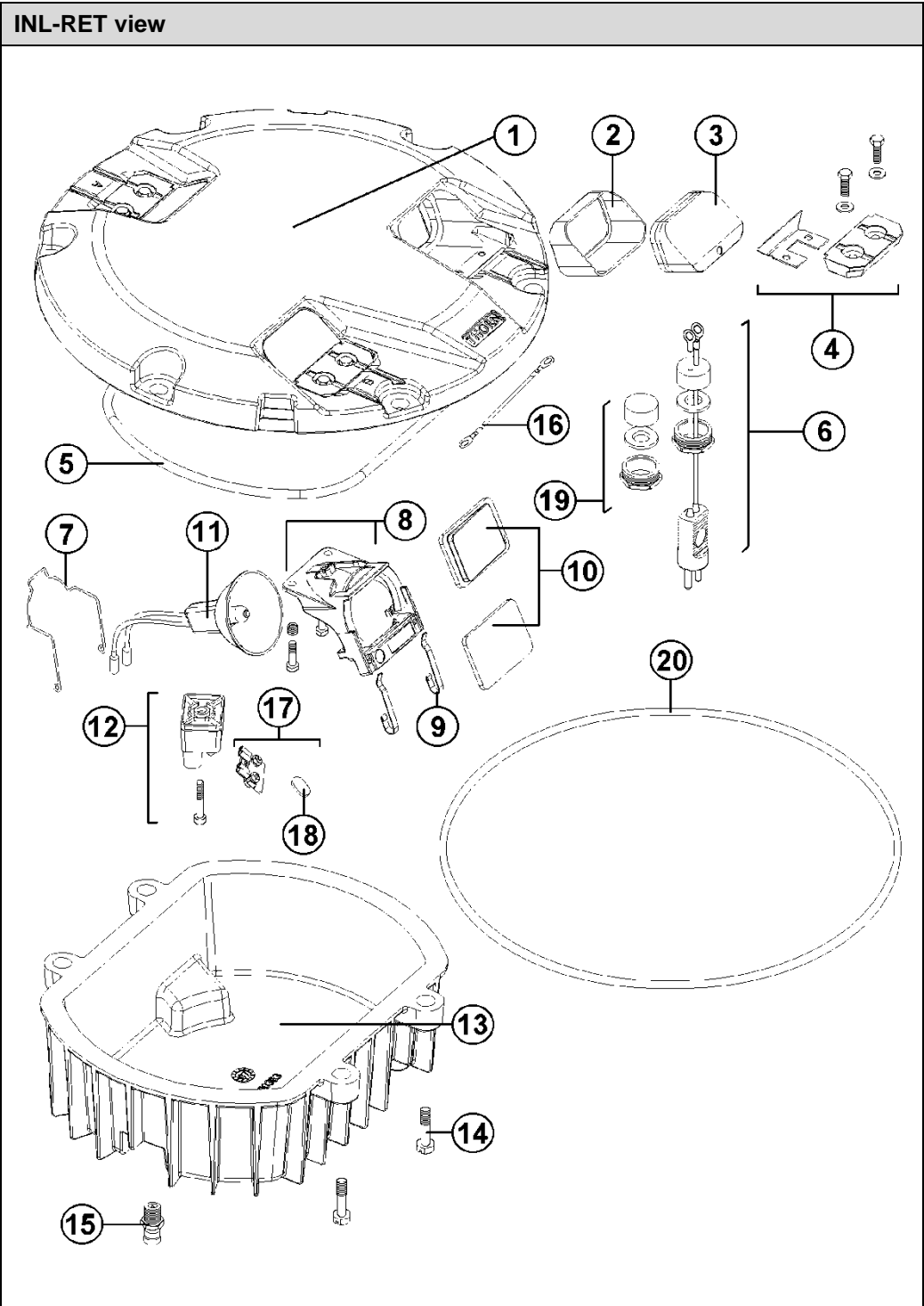
SPARE PART LIST
12" UNI-/ BIDIRECTIONAL HIGH-INTENSITY INSET LIGHT
(INL-RN, INL-RET)

The following is a list of spare parts and a view on the next page for INL-RN and INL-RET fittings.

Note: Contact Safegate Group for assistance with ordering spare parts.

Item	Description	Quantity per		New Code	Old code
		fitting	code		
1	Top Cover INL-RN	1	1	16271	-
1	Top Cover INL-RET	1	1	16366	-
2	Prism gasket	2, 3	5 50	13077 13078	96217067 96217068
3	Prism - Runway threshold	2	5 50	13003 13030	96216974 96217001
	- Runway end	1, 2	5 50	13004 13031	96216975 96217002
4	Prism clamp kit with fixing screws, washers and Teflon plate	2, 3	5	13080	96217070
5	Cover gasket	1	5	13200	96217225
6	Cable subassembly with: FAA secondary plug, compression packer	1 or 2		12739	96216672
7/8/9	Lamp and filter support and accessories	2, 3	1	12742	96216675
9	Filter spring	4, 6	10	12743	96216676
10	Green filter	2	5	14815	96217227
	Red filter	1	5	12078	96217074
	Green deviator	2	5	13006	96216977
11	Reflector lamp 105W 6.6A D50mm	2, 3	1	11881	96219206
12	Cable terminal	2, 3	2	13201	96217226
13/14	Equipped cover				
/15	- Height = 30 mm	1	1	12736	96216669
	- Height = 70 mm	1	1	12737	96216670
14	Cover screw	4	20	13090	96217081
15	Valve	1	10	13091	96217082
16	Cable for connection on terminal	1 or 2	1	12741	96216674
17/18	Film disk cut out and holder	0, 2, 3	2	13087	96217078
18	Film disk cut out	0, 2, 3	10 100	13086 13199	96217077 96217224
19	Plug	0 or 1	1	12740	96216673
20	O-ring gasket for 12" shallow base	1	25	13137	96217136

Note: Component availability or design may be subject to change due to unforeseen circumstances. This document is subject to change or new information from Safegate Group, as and when available or if required, with reservation for error or price changes.
* Contact Safegate Group for assistance with ordering spare parts.



Note: *This page is blank for convenient double-sided printing.*

Check in to the future

How many aircraft can your airport handle today?
Can this number be increased without adverse effects on the airport's safety level?
It is a known fact that traffic volume will rise in the foreseeable future. More movements will demand monitoring of the entire airport. Requirements will be sharpened and the development of an integrated system

controlling not only ground movements but also air traffic close to the airport is of the highest interest.
The International Civil Aviation Organization (ICAO) already describes A-SMGCS, Advanced Surface Movement Guidance and Control System, as the answer to the future modern airport need to control the entire airport space in one superior system.

To a larger extent than today's systems, A-SMGCS will rely on automated processes to give both pilots and traffic controllers exact information about positions and directions. Safegate Group delivers complete A-SMGCS solutions already, as well as all vital parts relating to it. Safegate Group can check your airport into the future – today!



Safegate Group HQ

Djurhagegatan 19
SE-213 76 Malmö, Sweden
Phone: +46 (0)40 699 17 00
Fax: +46 (0)40 699 17 30
E-mail: market@safegate.com

Australia

australia@safegate.com
+61 (0)3 9720-3233

Austria

office@avibit.com
+43 316 429961

Brazil

brazil@safegate.com
+55 11 2137 4405

China

china@safegate.com
+8610-85275297

Dubai

dubai@safegate.com
+971 4 452 75 75

Finland

finland@safegate.com
+358 (0)20754 7700

France

france@safegate.com
+33 (0)1 42 99 60 40

Germany

germany@safegate.com
+49 (0)4121 464 303

India

india@safegate.com
+91 11 4106 1545

Malaysia

malaysia@safegate.com
+60 32 011 3522

Qatar

qatar@safegate.com
+974 436 9628

Russia

russia@safegate.com
+7 495 917 4614

Singapore

singapore@safegate.com
+65 6289 6893

Spain

spain@safegate.com
+34 917 157 598

UK

uk@safegate.com
+44 (0)208 573 0384

USA

usa@safegate.com
+1 763 535 92 99

THORN
Airfield Lighting

IDMAN

avibit
AIR TRAFFIC SOLUTIONS

SAFEGATE
GROUP 

Safegate Group offers solutions for increased safety, efficiency and environmental benefits to airports worldwide. The company was founded in 1973 and has its headquarters in Malmö, Sweden. Safegate Group has more than 70 partners around the globe in order to be close to its customers. Earlier members of Safegate Group include Thorn AFL and Idman, who both have over 40 years of experience in airfield lighting solutions for airports and heliports. The latest member of Safegate Group is Avibit, a leading provider of next generation software applications and integration of efficient air traffic control systems. Safegate Group's complete range of products and services, a "one-stop shop", provides solutions to customers and airborne travellers around the globe.

www.safegate.com