

SFP Pullpits

25000 Series Pullpits and Junction Boxes

Compliance with Standards

T/C: K303 - Transformer Housings for Soils

Application

The 25000 series round and rectangular junction boxes are manufactured from a high strength, structural foam plastic to provide a rigid, non-deforming pullpit suitable for cable splicing and isolating transformer housings. The round tapered design is compliant with Transport Canada specification K303 and is H20 load rated, when used with the steel cover.

The rigid design of these units minimizes any deformation of the pullpit during back filling and tamping operations, allowing for easy final installation of the cover.

Steel locking covers are secured in place using tabs and a hold-down bolt to ensure secure closure. No turning of the cover is required to lock into place. A dedicated ground strap is provided for customer connection of grounding as required.

Pullpits can be installed "back-to-back" to increase the depth where required. Various accessories are available including drain plates, riser rings and 2" mounting hubs for fixtures. Adapter plates are also available allowing for the combining of the round and rectangular boxes into one larger unit.

Features & Benefits

- Round Tapered unit with steel cover complies with Transport Canada Specification K303 and is rated for H20 (vehicle) loading. Test Reports available upon request.
- Integral provision for grounding simplifies steel cover
- Lightweight and high strength structural foam material make for long life and ease of installation.
- Conical shape and bottom lip help to eliminate frost heaving and reduce shipping volume.
- Various accessories available to provide for a complete installation.
- Tamper-proof cover fasteners available as an option.
- Manufactured in Canada by West Coast Engineering Group Ltd.

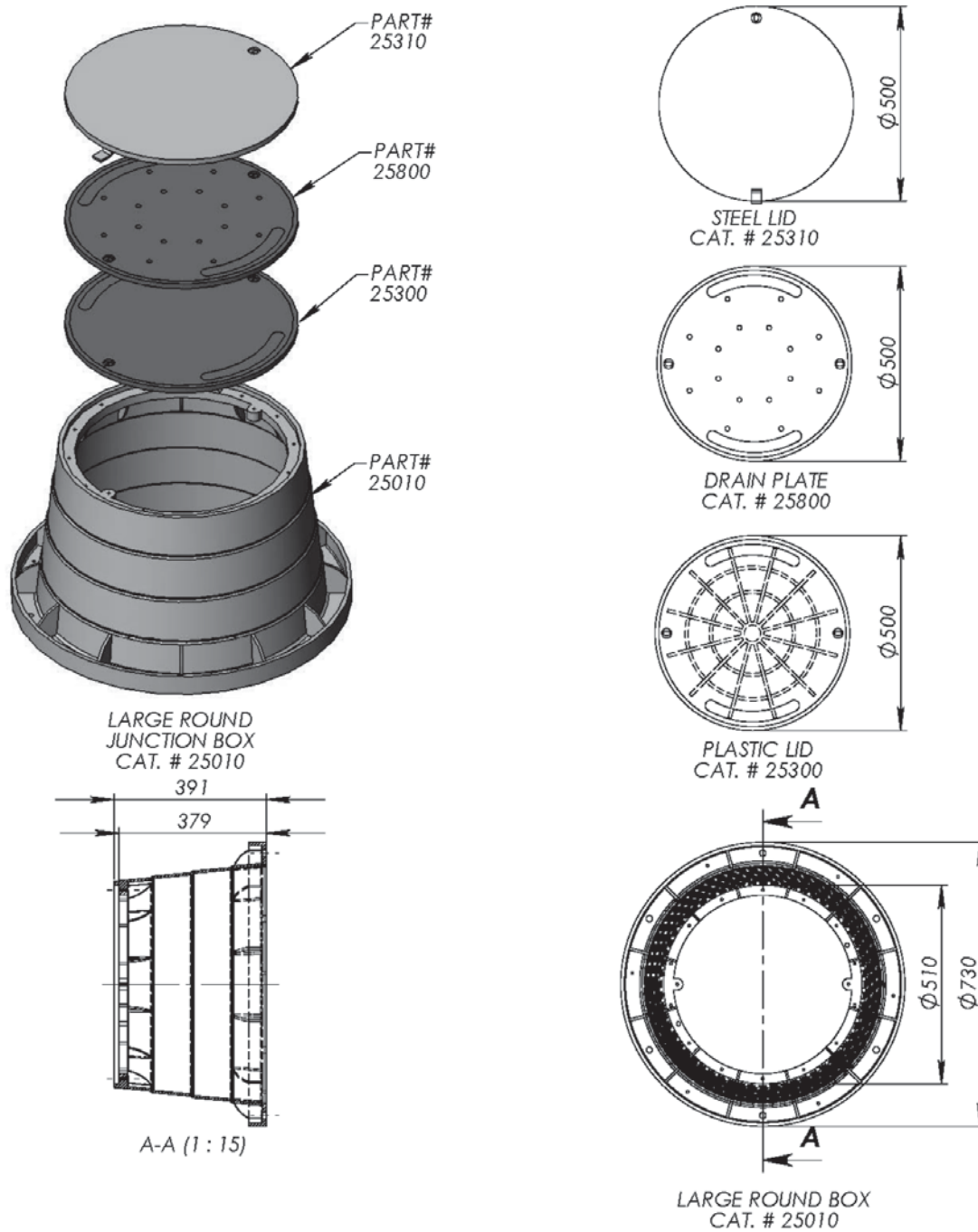


Large Round Tapered Pullpits and Accessories



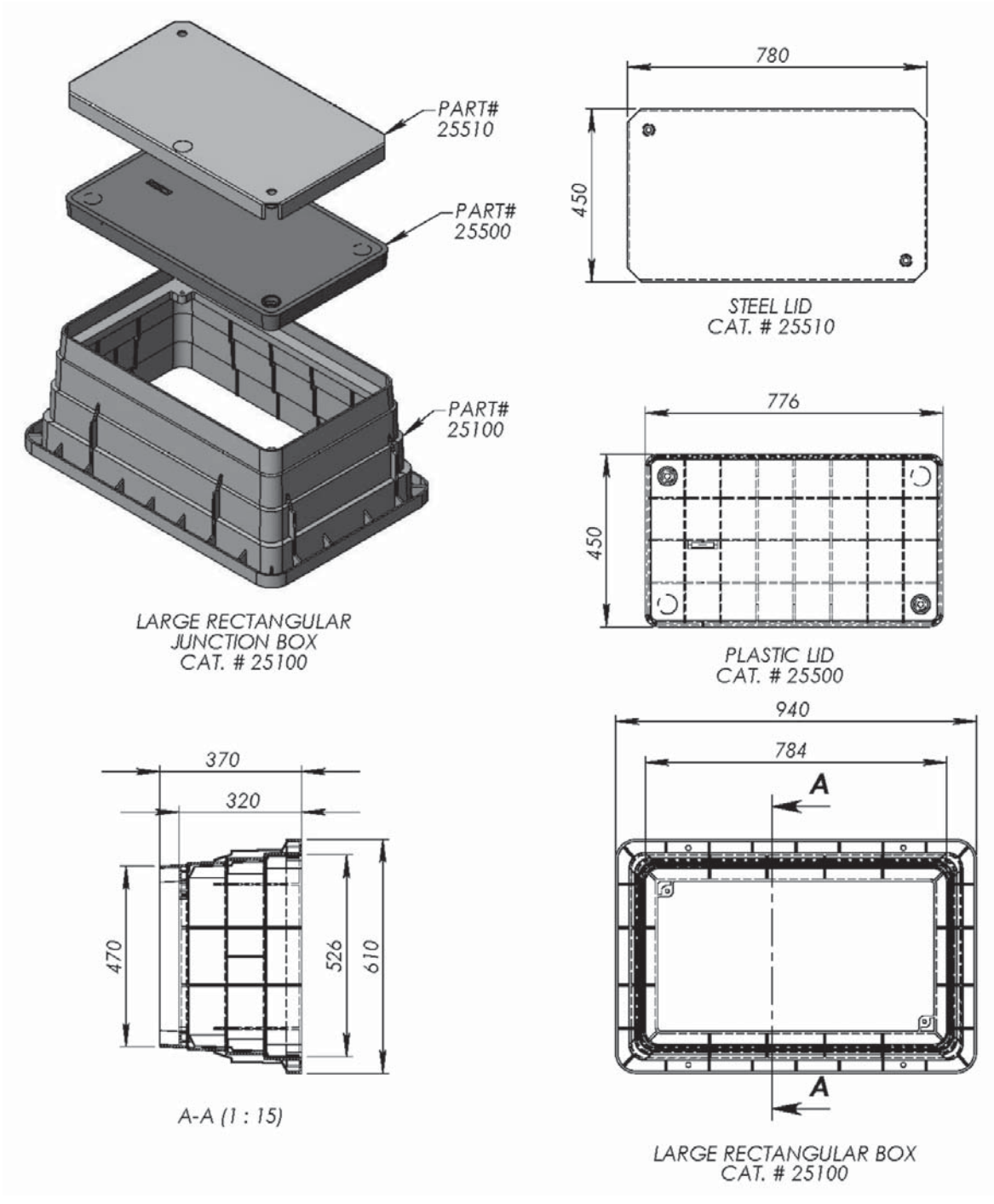
Typical Installation in Back-to-Back Configuration

Type 25010 - Round Tapered Pullpit



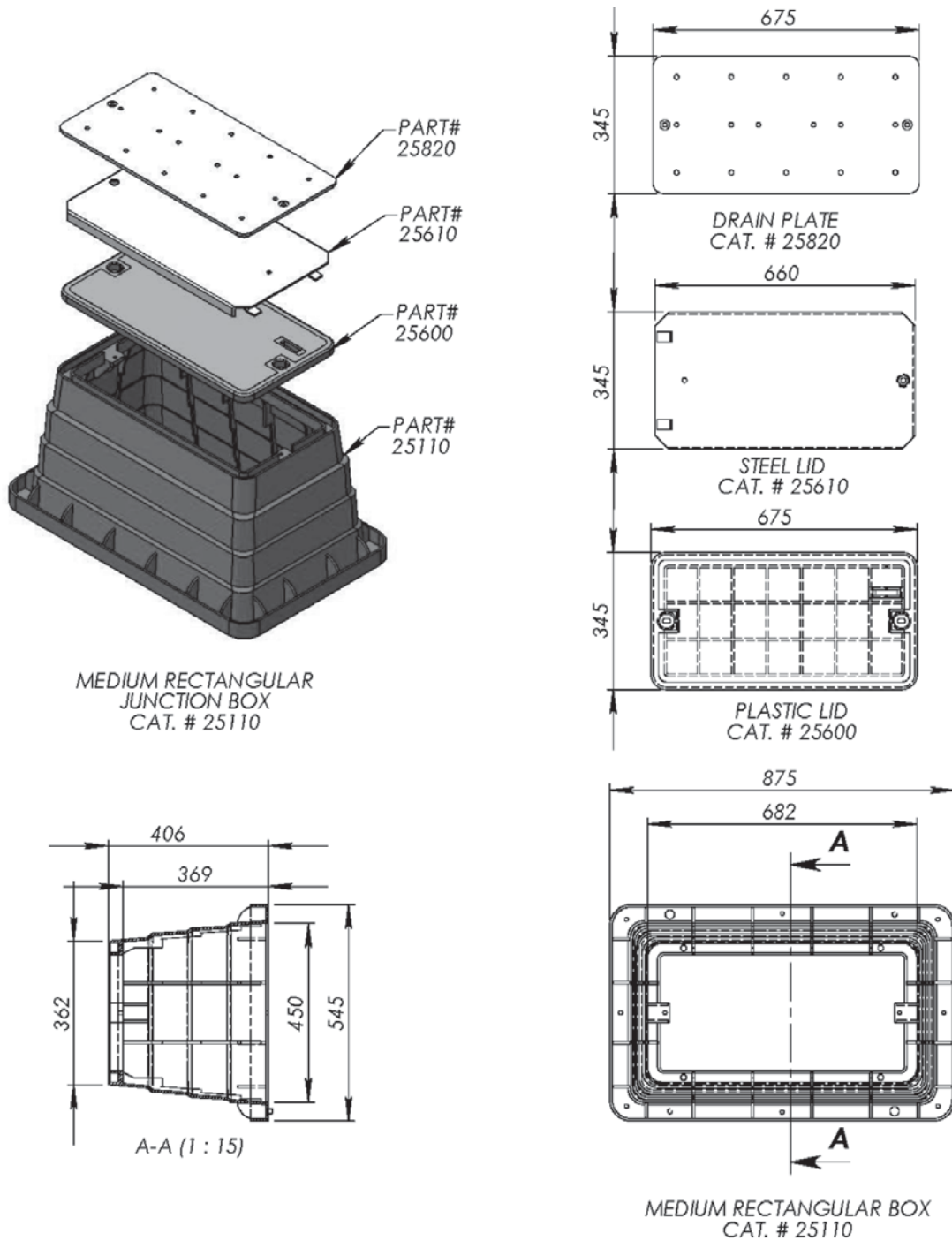
Cat. #	Item	Material	Weight lb (kg)
25010	Box	Structural Foam Plastic	17.7 (7.7)
25300	Lid - Plastic	Structural Foam Plastic	6 (2.7)
25310	Lid - Steel	Steel	34.25 (15.6)
25800	Drain Plate	Steel	4.27 (2.16)

Type 25100 - Large Rectangular Junction Box



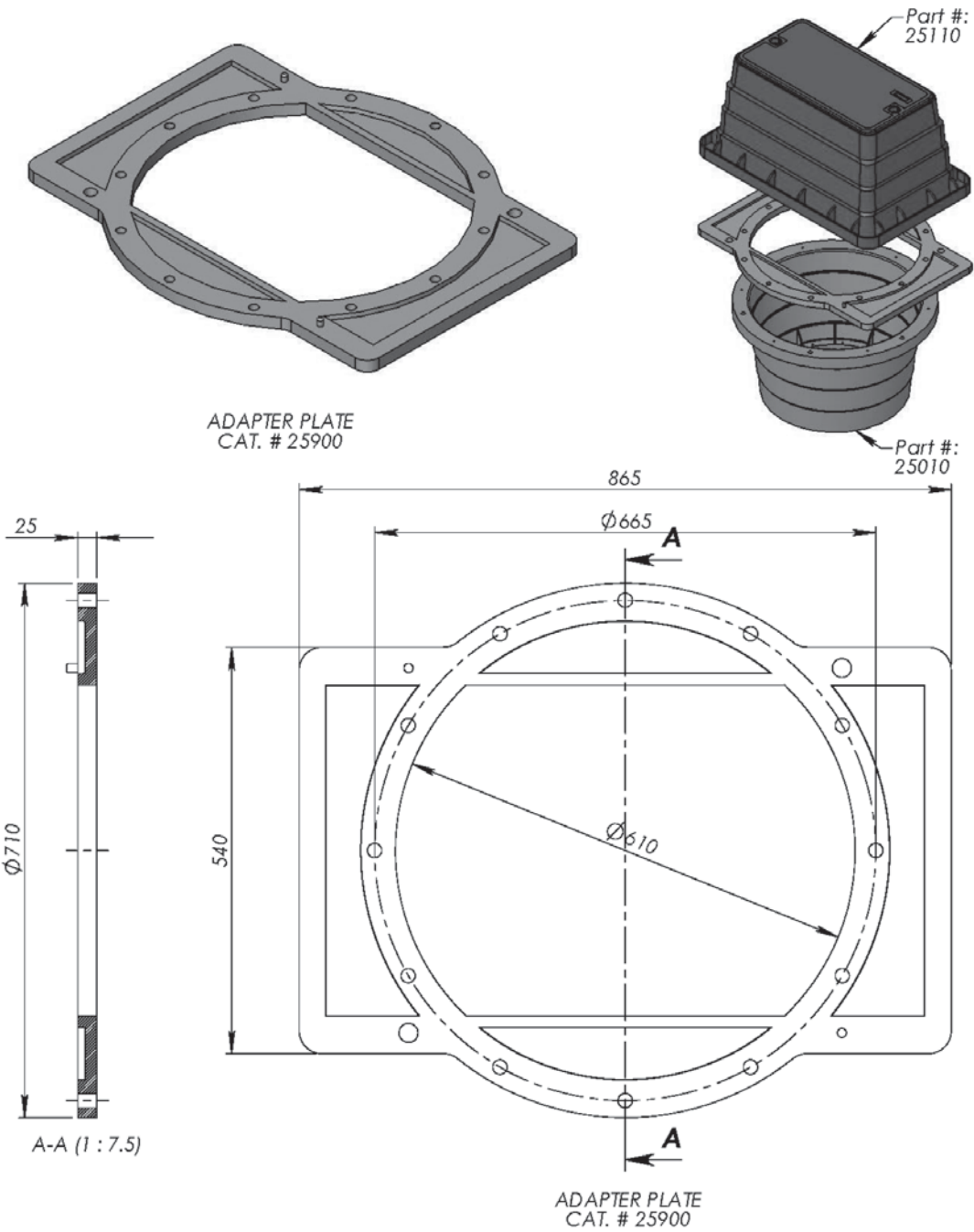
Cat. #	Item	Material	Weight lb (kg)
25100	Box	Structural Foam Plastic	20.74 (9.4)
25500	Lid - Plastic	Structural Foam Plastic	11.5 (5.2)
25510	Lid - Steel	Steel	40.5 (18.4)

Type 25110 - Medium Rectangular Junction Box



Cat. #	Item	Material	Weight lb (kg)
25110	Box	Structural Foam Plastic	21.5 (9.8)
25800	Lid - Plastic	Structural Foam Plastic	8 (2.7)
25610	Lid - Steel	Steel	23.25 (10.6)
25820	Drain Plate	Steel	3.25 (1.42)

Type 25900 - Adapter Plate



Cat. #	Item	Material	Weight lb (kg)
25900	Adapter Plate	Structural Foam Plastic	7.5 (3.4)

25000 Series Pullpits and Junction Boxes



Internal view of pullpit with ground strap



Pullpits are easily drilled to accept cable duct

Ordering Code

510 mm X 390 mm WCE S.F.P. Round Junction Box (no cover)	WCE25010
Plastic Drain Plate for 25010	WCE25800
Blank Galv. Steel Lid for 25010	WCE25310
Galv. Steel Lid for 25010 C/W 2" NPT Coupling Welded to Bottom	WCE25310H
530 - 1" Riser Ring	WCE25300-RING
Adapter Plate, Plastic, Large Round to Medium Rectangular	WCE25900
Large Rectangular Junction Box 1730	WCE25100
Steel Lid for Large Rectangular Junction Box 1730	WCE25510
Plastic Lid for Large Rectangular Junction Box 1730	WCE25500
Medium Rectangular Junction Box 1324	WCE25110
Steel Lid for Medium Rectangular Junction Box 1324	WCE25610
Plastic Lid for Medium Rectangular Junction Box 1324	WCE25600
Plastic Drain Plate for 1324 Medium Junction Box	WCE25820
Transformer Hanger 45-250 W with Hook	TH2000

Product specifications may be subject to change, and specifications listed here are not binding. Confirm current specifications at time of order.

ADB Airfield Solutions
Leuvensesteenweg 585
B-1930 Zaventem
Belgium

Telephone: +32 (0)2 722.17.11
www.adb-air.com

ADB Airfield Solutions, LLC
977 Gahanna Parkway
Columbus, OH 43230
USA

Telephone: +1 614.861.1304
+1 800.545.4157

© ADB Airfield Solutions
All rights reserved