

OBSTRUCTION & BEACONS

AHSB

Airport/Heliport Strobe Beacon FTB-723/FTB-736



Compliance with Standards

T/C: K407 - Airport

Transport Canada / FM Accepted - Heliport

Description

The FTB-723 Airport Acquisition Strobe Beacon provides omni-directional flashes of white light alerting pilots to the location of the airport.

The FTB-736 Heliport Acquisition Strobe Beacon provides omni-directional coded flashes of white light alerting pilots to the location of the heliport. Use of the FTB-736 Beacon and its distinctive flash pattern greatly decreases acquisition time by making the helipad stand out from a background of city lights or during low visibility weather.

The unit is of a solid-state design with no motor or brushes to replace. Special engineering and design of the unit allows for ease of installation, operation and maintenance.

Features

- FTB-723: Low Power Consumption (130 watts)
- FTB-736: Low Power Consumption (120 watts)
- Remote monitoring capable
- Single Long-life Flashtube
- Hinge flash head provides easy access for lamp changes
- NEMA 4X Power Converter enclosure
- Lightning surge resistant
- Two year warranty including flashtube
- Optional hand-held programmer

FTB-723 Photometric Performance

- 12,000 effective candelas - day
- 6,000 effective candelas - twilight
- 3,000 effective candelas - night
- (all values +/- 25%)
- 20 flashes per minute
- 3600 horizontal coverage
- 50 vertical beam width

Ordering Code

Airport Beacon Ordering Code FTB-723

Beacon consists of flash head and power converter

Specify operating voltage

__ 120 VAC, 60 Hz __ 240 VAC, 60 Hz __ 230 VAC, 50 Hz

Specify total length of flash head cable (P/N 6340)

_____ feet (or) _____ meters

Specify site location:

Note:

Consult ADB Safegate for recommended spare parts or special applications.

Heliport Beacon Ordering Code FTB-736

Beacon consists of flash head, power converter and PEC510 photocell

Specify operating voltage

__ 120 VAC, 60 Hz __ 240 VAC, 60 Hz __ 230 VAC, 50 Hz

Specify total length of flash head cable (P/N 6340)

_____ feet (or) _____ meters

Specify site location:

Note:

Consult ADB Safegate for recommended spare parts or special applications.

FTB-736 Photometric Performance

- 12,000 effective candelas - high
- 2,000 effective candelas - medium
- 75 effective candelas - low
- (all values +/- 25%)
- A group of 4 flashes (Morse Code "H") in 0.5 seconds with a 1.5 second interval between groups
- 3600 horizontal coverage
- 170 vertical beam width

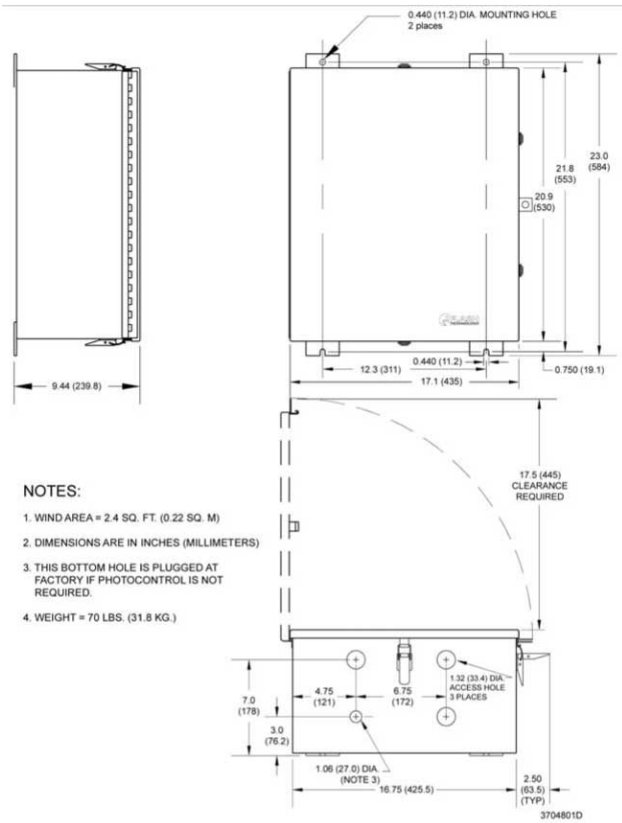
OBSTRUCTION & BEACONS

AHSB

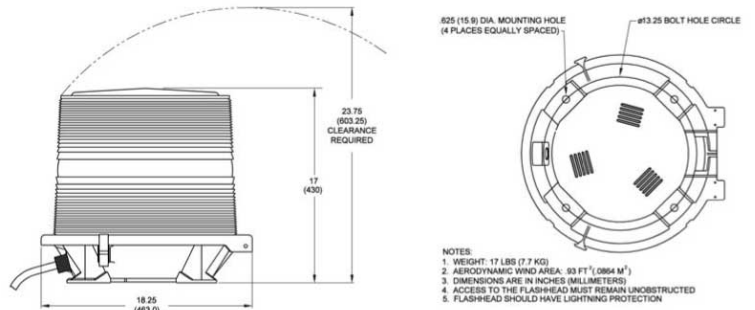
Electrical

- 120 or 240 VAC +/- 10%, 60 Hz, 1PH
- Available 230 VAC, 50 Hz
- FTB-723: 130 watts power consumption
- FTB-736: 120 watts (300 VA) (high) power consumption
- Alarm relay with form C contacts, contacts change state upon failure.

Power Converter Mounting



Flashhead Mounting



www.adbsafegate.com

Product specifications may be subject to change, and specifications listed here are not binding. Confirm current specifications at time of order.