



PAR 56 Hood/Shield Installation for Helipad Flood Lighting

Document No. ALN101

Issued: February 18, 2003

Rev. A: February 18, 2003

ADB Airfield Solutions

P.O. Box 30829
977 Gahanna Parkway
Columbus, OH 43230

Tel: (614) 861-1304
Fax: (614) 864-2069

Copyright © 2003 by ADB Airfield Solutions, Incorporated. All rights reserved.

ADB Airfield Solutions

*The innovative[™]
approach*

PAR 56 Hood/Shield Installation for Helipad Flood Lighting

1. Introduction

This service bulletin provides instructions for installing the PAR 56 lampholder hood/shield.

2. Special Tools and Equipment Required

Refer to Table 1 for the special tools and equipment required to install the PAR 56 hood/shield.

Table 1. Required Tools/Equipment Not Supplied

Description	Quantity
11/32 open end wrench or nut driver	1
#2 Phillips screwdriver	1

3. Retrofit Kit

See Figure 1. Refer to Table 2 for the components contained in Retrofit Kit 94A0242.

Table 2. Retrofit Kit 94A0242 Components

Item	Part Number	Description	Quantity	Note
1	64A0191-6	8-32 x 3/8 pan head Phillips	2	
2	64A0191-8	8-32 x 1/2 pan head Phillips	2	
3	65A0015-15	8-32 hex nut	4	
4	66A0015-15	#8 flat washer	4	
5	66A0026-15	#8 split washer	4	
6	60A2413	Hood/shield clip	2	
7	60A2412	Hood/shield	1	

3. Retrofit Kit (contd.)

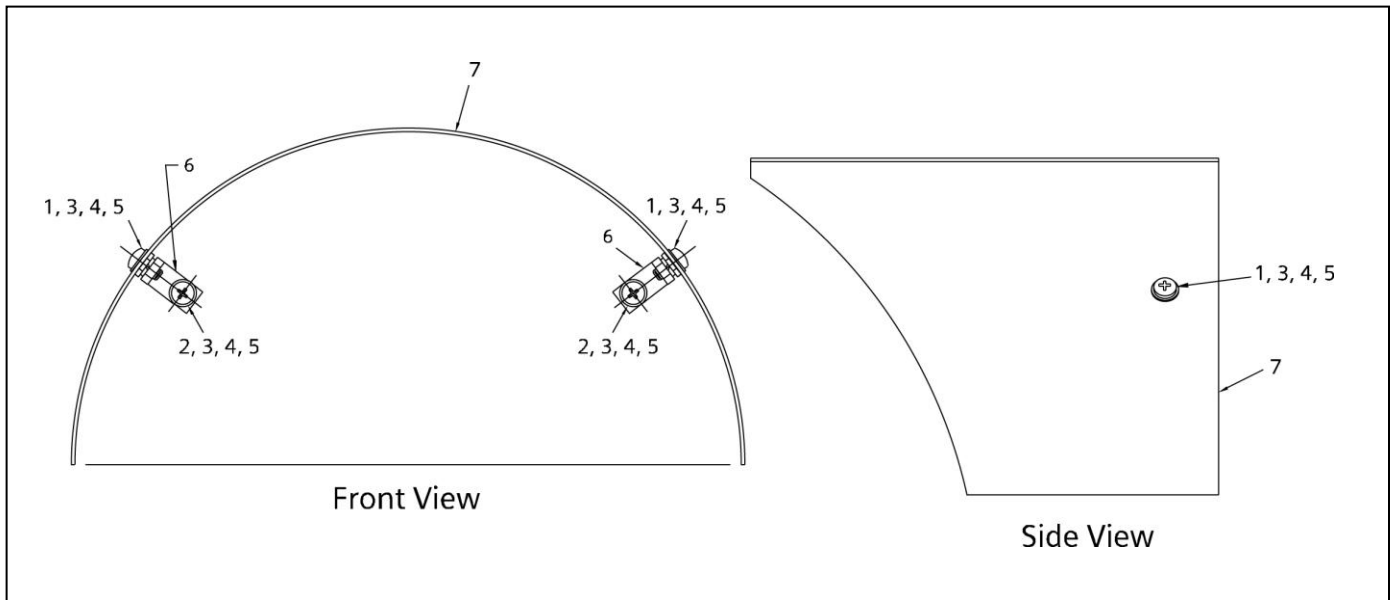


Figure 1. PAR 56 Hood/Shield Assembly

4. PAR 56 Hood/Shield Installation



WARNING: Disconnect equipment from line voltage. Failure to observe this warning may result in personal injury, death, or equipment damage.

To install the PAR 56 hood/shield, perform the following procedure:

1. See Figure 2. Use the 8-32 x 3/8 pan head Phillips screw with #8 flat washer and #8 split washer (1, 3, 4, 5) to attach the hood/shield clip (6) to the lampholder face.

NOTE: Figure 2 shows a PAR 56 mounted on a base plate at ground level. The PAR 56 can also be mounted on a tower.

NOTE: The light base plate (see Figure 2, Item 10) must be ordered as a separate line item.

2. Use the 8-32 x 1/2 pan head Phillips screw with #8 flat washer and #8 split washer (2, 3, 4, 5) to attach the hood/shield to the clips.

4. PAR 56 Hood/Shield Installation
(contd.)

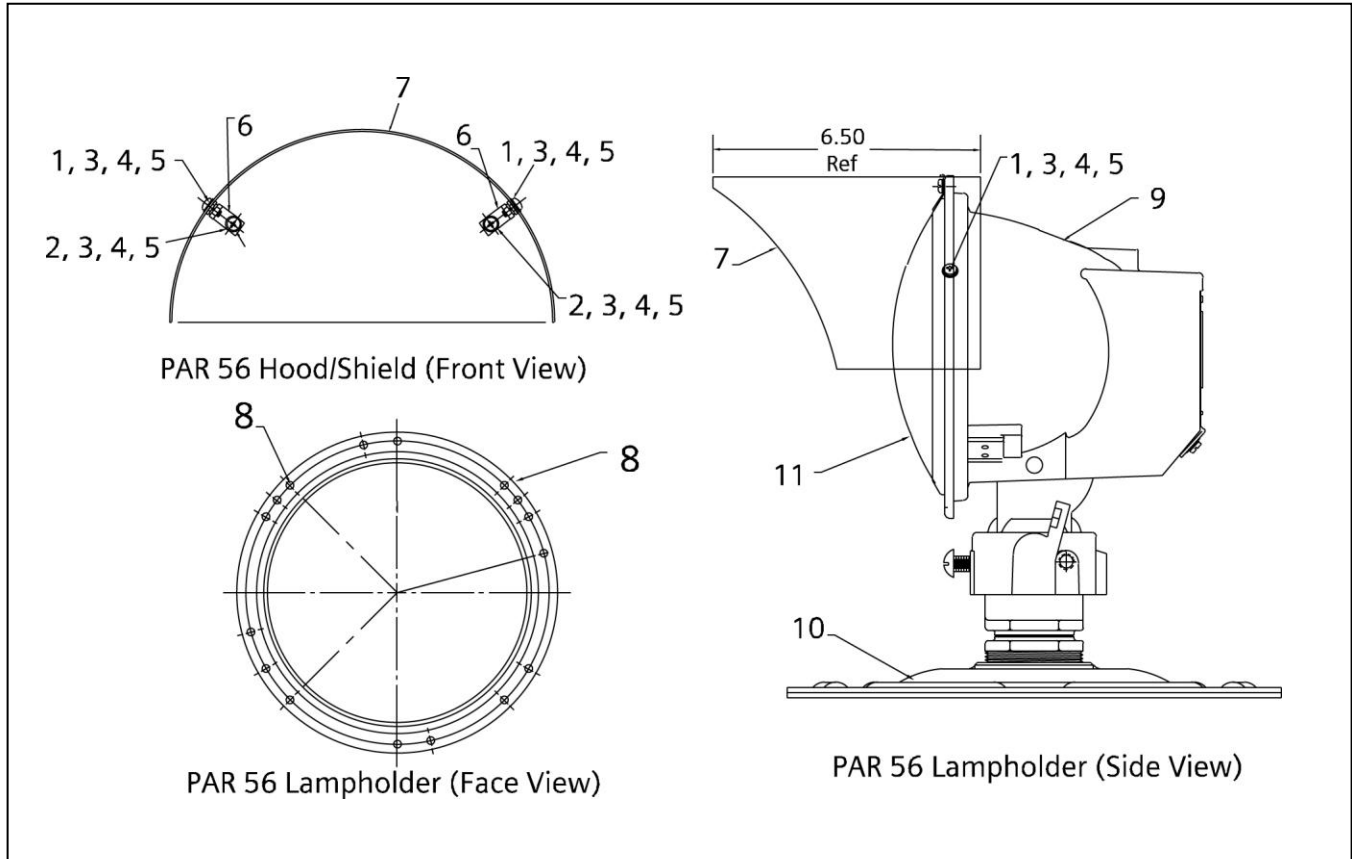


Figure 2. Installing Hood/Shield on PAR 56 Head

- | | |
|---------------------------------------|-------------------------------------|
| 1. 8-32 x 3/8 Pan Head Phillips Screw | 7. Hood/Shield |
| 2. 8-32 x 1/2 Pan Head Phillips Screw | 8. Holes for Hood/Shield Clip Screw |
| 3. 8-32 Hex Nut | 9. PAR 56 Lampholder |
| 4. #8 Flat Washer | 10. Contractor-Supplied Base Plate |
| 5. #8 Split washer | 11. PAR 56 Lamp Gasket and Lamp |
| 6. Hood/Shield Clip | |