

# HELIPORT LIGHTING

## IN-OMH

8" Omnidirectional Medium-Intensity Heliport Inset Light



### Compliance with Standards

ICAO: Annex14 Volume II (Current Edition)

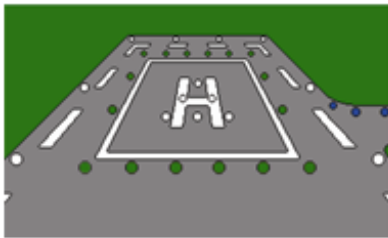
FAA: AC 150/5390-2B

NATO: STANAG 3652

French STAC 2009A019

CAP 168

BS 3224



### Uses

The IN-OMH is an 8" omnidirectional medium-intensity heliport inset light. This fixture has following application areas:

- Boundary marking of
  - Final Approach and Take Off area (FATO)
  - Touchdown and Lift Off area (TLOF)
- Aiming Point

### Features & Benefits

- Low power consumption: Only 50 Watts
- Power Supply: 240 Vac (or 12 Vac) 50/60 Hz or 6,6 A.
- Lamp life greater than 4,000 hours
- Low projection: 10 mm (<1/2")
- Small diameter: 215 mm
- Shallow depth: 100 mm shallow base
- Excellent photometric performances obtained by the use of reflector lamps:
  - Good luminous efficacy
  - Identical lamp performances: Reflector being an integral part of the lamp, hence each time the lamp is changed there will be a new reflector
  - High optical stability: No internal adjustment needed

### Technical Characteristics

Component	Description
Lamp:	50 Watts / 12 Vac pre-focussed halogen lamp with an integral dichroic-coated 50 mm reflector (Lamp life greater than 4,000 hours).
Power Supply:	With a 2 × 1.5 mm <sup>2</sup> cable for 230 Vac version and with two cables of 1 × 3.2 mm <sup>2</sup> for 12 Vac version. Also available in 6,6 A.
Photometry:	Distribution and homogeneity comply with Appendix 2 of I.C.A.O Annex 14 Volume I.
Colour:	White or Green dichroic filters. Chromaticity complies with Appendix 1 of ICAO Annex 14. Transmission Factor (when Hot): White = 0.04 - Green = 0.55.
Finish:	All external parts are made of anodised tempered aluminium alloy casting. All fixings and fastenings are stainless steel.
IP:	67
Projection:	10 mm (<1/2")
External diameter:	215 mm
Net Weight:	5 kg

# HELIPORT LIGHTING

## IN-OMH

### Packing Data

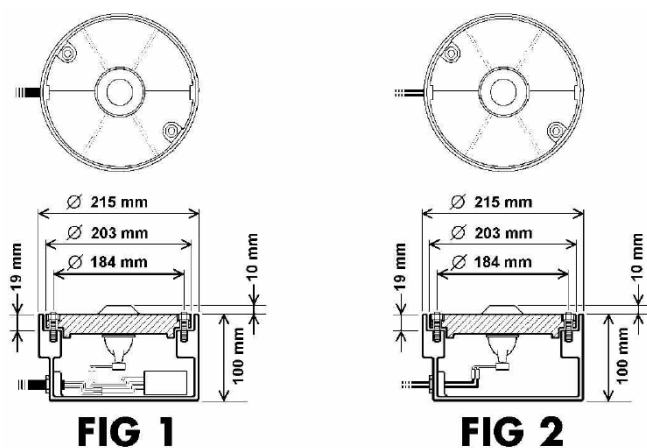
Designation	Volume m <sup>3</sup>	Dimensions mm	Weight kg
IN-OMH fitting complete	0.007	230 × 230 × 140	5.0

### Installation

#### Description

- 230 Vac/6,6 A power supply through a 230Vac/12Vac or 6,6 A transformer (see FIG 1)
- 12 Vac direct power supply (see FIG 2)

#### Image examples

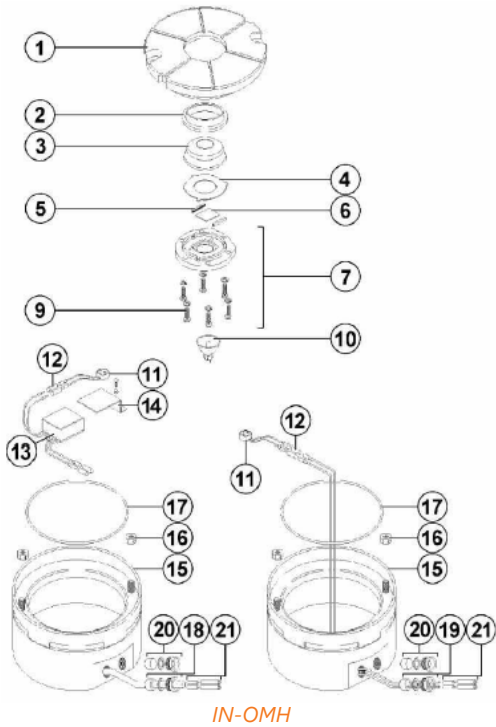


For more information about the product, including manuals and certifications, please see the ADB SAFEGATE Product Center at [www.adbsafegate.com](http://www.adbsafegate.com).

### Design

#### Components

1. Body
2. Silicone prism gasket
3. Non-sealed prism
4. Prism Protection Plate in Teflon
5. Filter protection gasket
6. Dichroic filter
7. Optical support
8. Not used
9. Optical support fixing screws
10. 50 W under 12 Vac pre-focussed halogen dichroic reflector lamp (diameter 50 mm)
11. Lamp socket
12. Accessories for lamp socket connection
13. 230 Vac /12 Vac transformer (option)
14. Accessories for transformer fixing
15. 8" shallow base depth = 100 mm
16. Fixing screws (× 2)
17. O ring gasket for 8" shallow base
18. Compression packer kit for one cable with two wires
19. Compression packer kit for two cables with one wire
20. Cap for shallow base
21. Accessories for power supply connection



### Photometrics

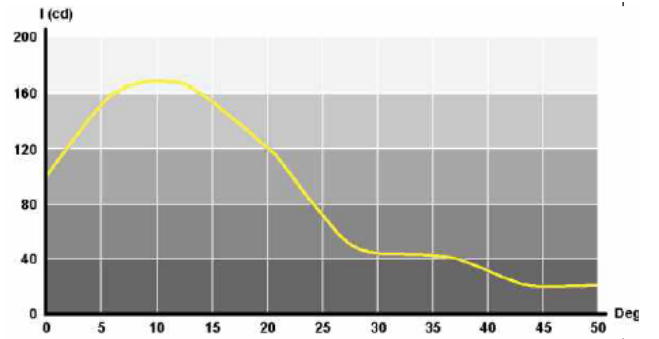
This section includes photometric examples of different light configurations.

#### F.A.T.O. Edge

ICAO

IN-OMH (1 × 50 Watts)

White light

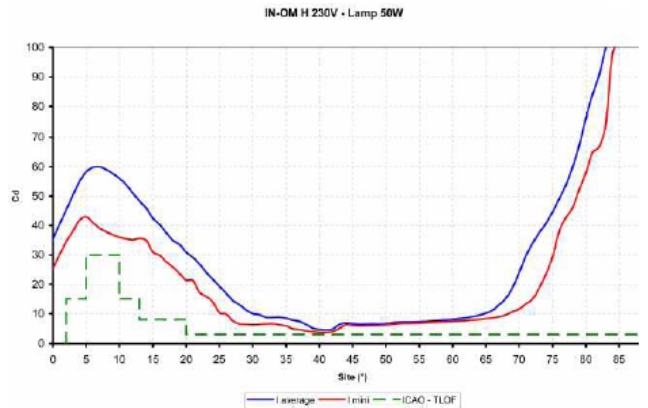


#### T.L.O.F Edge

ICAO

IN-OMH (1 × 50 Watts)

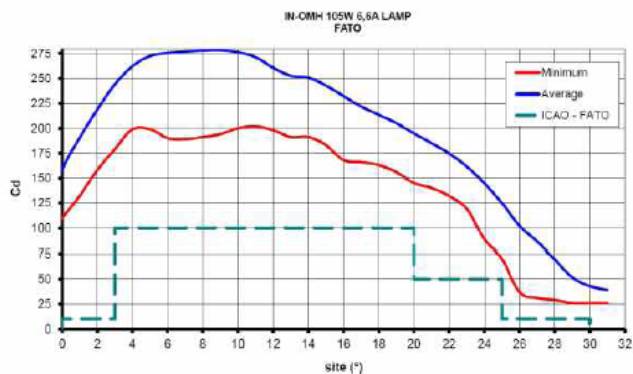
Green light



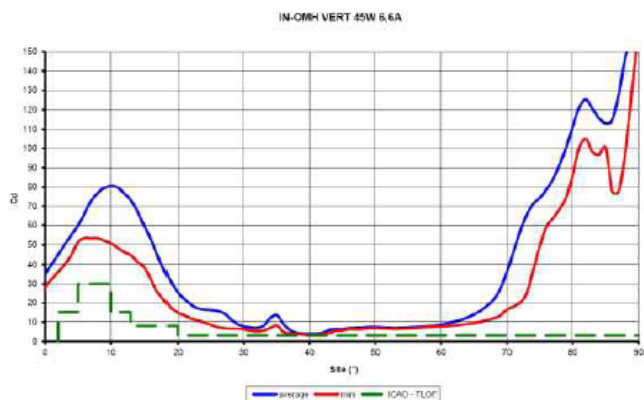
# HELIPORT LIGHTING

## IN-OMH

### F.A.T.O. IN-OMH 105W 6,6A LAMP



### F.A.T.O. IN-OMH VERT 45W 6,6A LAMP



### Order Codes

The table below is a guide to order codes for a fitting with available component parts.

Ordering Code	Components	IN-OMH	230VAC	G
<b>Power</b>				
230 VAC			230VAC	
12 VAC			12VAC	
6,6 A			6,6A	
<b>Color(s)</b>				
None (white) FATO + Aiming				W
Green TLOF				G

### Additional

Installation tools for shallow base.

Fitting Ordering Code	Components	IN-OMH/A	45 W	Y	RL
<b>Lamp</b>					
40 Watts (=> Short Cover)			40 W		
45 Watts (=> Long Cover)			45 W		
105 Watts (=> Long Cover)			105 W		
<b>Dichroic Filter</b>					
None (White)				W	
Blue Filter				B	
Yellow Filter				Y	
<b>Cut Out Relay (Option)</b>					
1 Relays (=> Long Cover)					RL

**Note:** All descriptions and photometric characteristics in this publication present only general particulars and shall not form part of any contract. The right is reserved to change them without prior notification.