

# Airfield Lighting

Spare Part List

12" Unidirectional High-Intensity Inset Light  
(IDM 4351)

- Threshold
- Runway End



**Note:** *This page is blank for convenient double-sided printing.*

**SPARE PART LIST**  
**12" UNIDIRECTIONAL HIGH-INTENSITY INSET LIGHT**  
**(IDM 4351)**

This document includes a list of spare parts with exploded view examples.

**Note:** Contact Safegate Group for assistance with ordering spare parts.

| Description                                 | No. | Quantity | Code           | Note                      |
|---|-----|----------|----------------|---------------------------|
| Top cover THR                               | 1   | 1        | 10436          | Cast                      |
| Gasket                                      | 2   | 2        | 10229          |                           |
| Prism, green                                | 3   | 2        | 10450          |                           |
| Prism protection plate                      | 4   | 2        | 10485          |                           |
| Prism fastening plate                       | 5   | 2        | 10484          |                           |
| O-ring gasket Ø219,3x5,7                    | 6   | 1        | 10227          |                           |
| Optics assembly plate THR                   | 7   | 1        | 10435<br>10434 | Toe-in L or R<br>Toe-in 0 |
| Lamp holder                                 | 8   | 2        | 10433          | mark "T"                  |
| Lamp fastener                               | 9   | 2        | 10477          |                           |
| Lamp 105W 6,6A ø50mm                        | 10  | 2        | 11881          | ø4mm connectors           |
| Pin, captive                                | 11  | 2        | 10482          |                           |
| Pin, fixed                                  | 12  | 2        | 10483          |                           |
| Coil spring SPEC D21500                     | 13  | 4        | 10092          |                           |
| C-ring DIN 6799-4                           | 14  | 4        | 10097          |                           |
| Sleeve                                      | 15  | 11       | 10232          |                           |
| Insulation rubber 318-928                   | 16  | 11       | 11567          |                           |
| Terminal strip, 2-pole, 10A                 | 17  | 2        | 11743          | Ceramic                   |
| Terminal pin ø 4 mm                         | 18  | 4        | -              |                           |
| Inner cover                                 | 19  | 1        | 10222          |                           |
| Fastening plate, inner cover                | 20  | 3        | 10221          |                           |
| O-ring gasket Ø6x2                          | 21  | 1        | 11815          |                           |
| Valve assembly                              | 22  | 1        | 10235          | Includes needle and cap   |
| Cable gland AGRO<br>M6, Viton1005.91        | 23  | 2        | 10061          |                           |
| Secondary cable 400 mm 2x1,5mm <sup>2</sup> | 24  | 1        | 11628          | Vulcanised, PTFE          |
| Rivet ø 4x12,5                              | 25  | 6        | 11895          |                           |
| Slot screw M4x20 DIN 84, A4                 | 26  | 2        | 11941          |                           |
| Spring washer ø4mm DIN 127, A4              | 27  | 2        | 11944          |                           |
| Nut M4 DIN 934, A4                          | 28  | 2        | 11807          |                           |
| Cross slot screw M4x16 DIN 7500C, A4        | 29  | 5        | 10098          |                           |
| Washer ø4mm DIN 9021, A4                    | 30  | 5        | 12021          |                           |
| Allen screw M6x16 DIN 912, A4               | 31  | 8        | 10021          |                           |
| Spring washer ø 6 mm DIN 127, A4            | 32  | 8        | 11946          |                           |
| Slot screw M4x12 DIN 84, A4                 | 33  | 3        | 11940          |                           |
| Cross slot screw M4x12 DIN 7500 M, A4       | 34  | 6        | 12008          |                           |

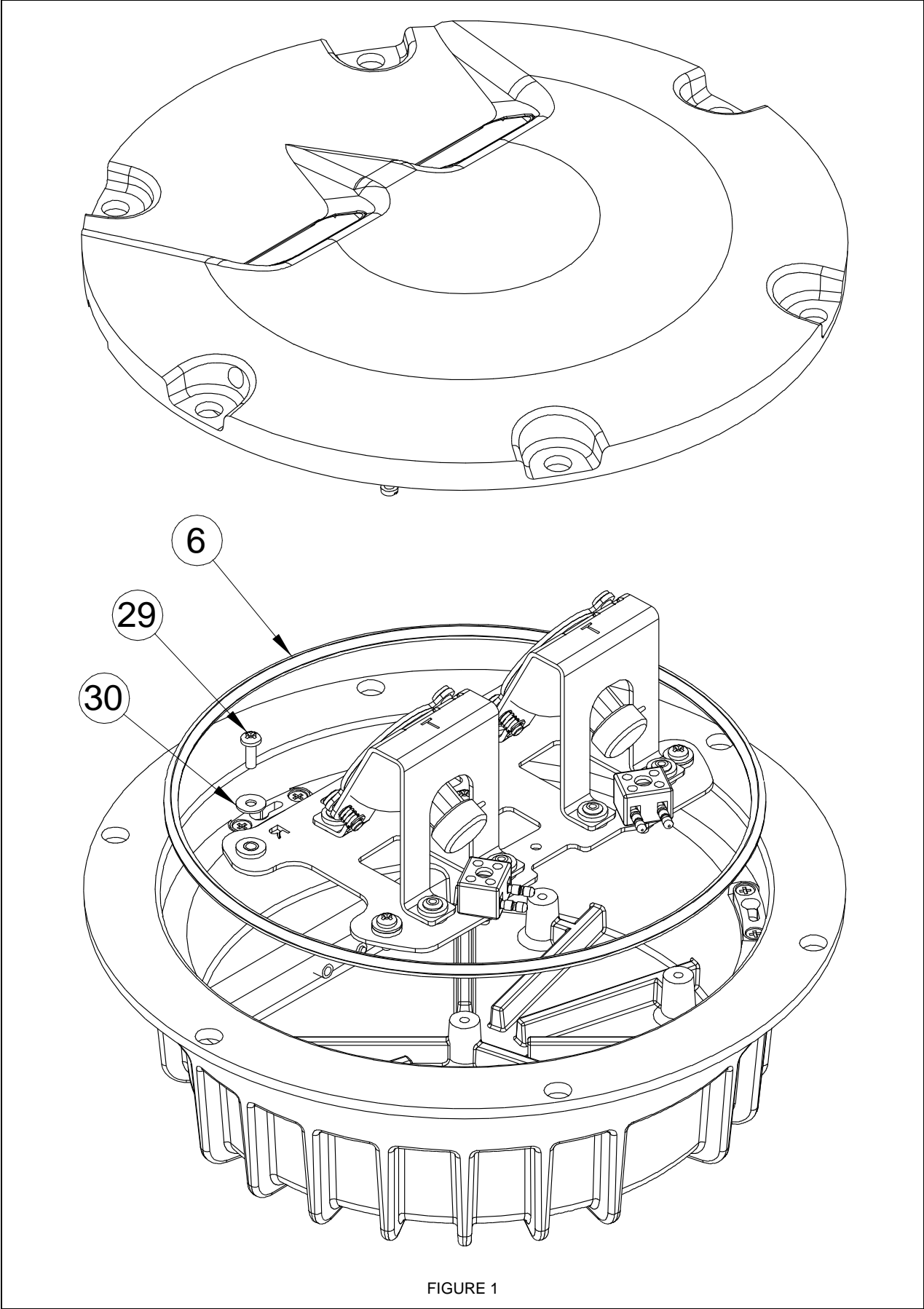


FIGURE 1

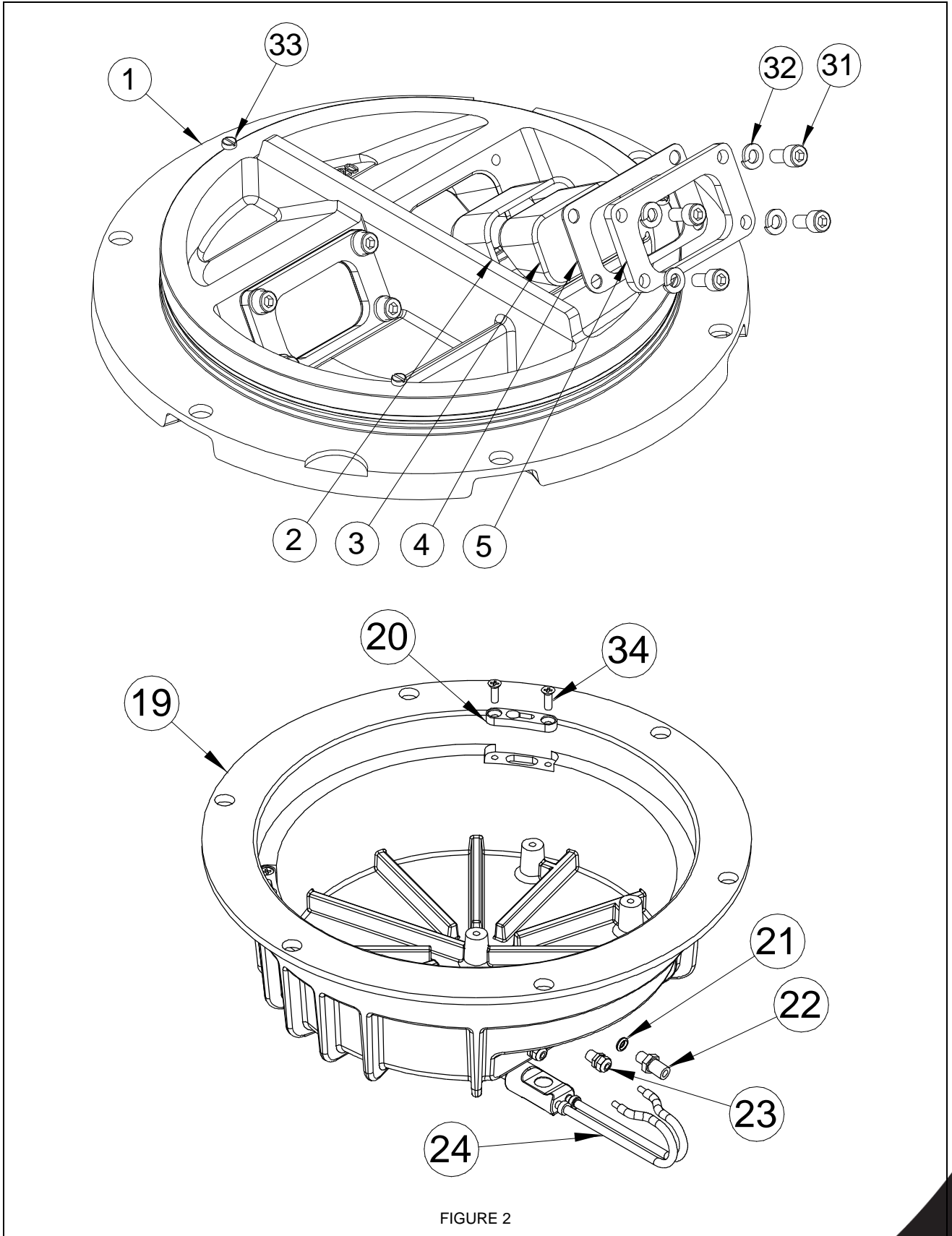


FIGURE 2

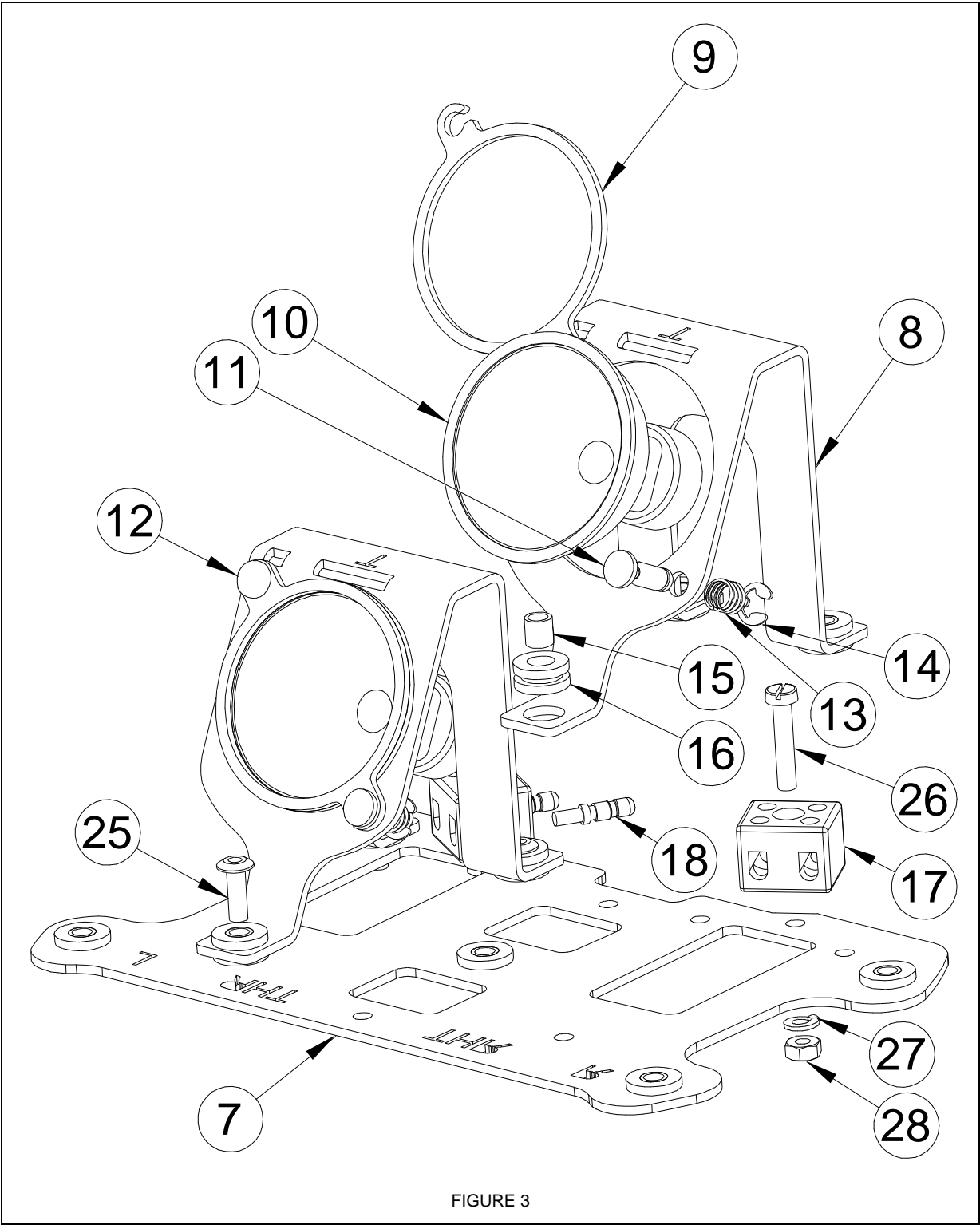


FIGURE 3

**Note:** *This page is blank for convenient double-sided printing.*

# Check in to the future

How many aircraft can your airport handle today? Can this number be increased without adverse effects on the airport's safety level? It is a known fact that traffic volume will rise in the foreseeable future. More movements will demand monitoring of the entire airport. Requirements will be sharpened and the development of an integrated system

controlling not only ground movements but also air traffic close to the airport is of the highest interest. The International Civil Aviation Organization (ICAO) already describes A-SMGCS, Advanced Surface Movement Guidance and Control System, as the answer to the future modern airport need to control the entire airport space in one superior system.

To a larger extent than today's systems, A-SMGCS will rely on automated processes to give both pilots and traffic controllers exact information about positions and directions. Safegate Group delivers complete A-SMGCS solutions already, as well as all vital parts relating to it. Safegate Group can check your airport into the future – today!



## Safegate Group HQ

Djurhagegatan 19  
SE-213 76 Malmö, Sweden  
Phone: +46 (0)40 699 17 00  
Fax: +46 (0)40 699 17 30  
E-mail: market@safegate.com

## Australia

australia@safegate.com  
+61 (0)3 9720-3233

## Austria

office@avibit.com  
+43 316 429961

## Brazil

brazil@safegate.com  
+55 11 2137 4405

## China

china@safegate.com  
+8610-85275297

## Dubai

dubai@safegate.com  
+971 4 452 75 75

## Finland

finland@safegate.com  
+358 (0)20754 7700

## France

france@safegate.com  
+33 (0)1 42 99 60 40

## Germany

germany@safegate.com  
+49 (0)4121 464 303

## India

india@safegate.com  
+91 11 4106 1545

## Malaysia

malaysia@safegate.com  
+60 32 011 3522

## Qatar

qatar@safegate.com  
+974 436 9628

## Russia

russia@safegate.com  
+7 495 917 4614

## Singapore

singapore@safegate.com  
+65 6289 6893

## Spain

spain@safegate.com  
+34 917 157 598

## UK

uk@safegate.com  
+44 (0)208 573 0384

## USA

usa@safegate.com  
+1 763 535 92 99

**THORN**  
Airfield Lighting

**IDMAN**

**avibit**  
AIR TRAFFIC SOLUTIONS

**SAFEGATE**  
GROUP 

Safegate Group offers solutions for increased safety, efficiency and environmental benefits to airports worldwide. The company was founded in 1973 and has its headquarters in Malmö, Sweden. Safegate Group has more than 70 partners around the globe in order to be close to its customers. Earlier members of Safegate Group include Thorn AFL and Idman, who both have over 40 years of experience in airfield lighting solutions for airports and heliports. The latest member of Safegate Group is Avibit, a leading provider of next generation software applications and integration of efficient air traffic control systems. Safegate Group's complete range of products and services, a "one-stop shop", provides solutions to customers and airborne travellers around the globe.

[www.safegate.com](http://www.safegate.com)