

# Airfield Lighting

## Spare Part List

### Ground Fixation for Elevated Fittings

- Tripod stand
- Elbow tube
- Base plate
- Frangible collar
- Frangible coupling
- 60 mm tube



**Note:** *This page is blank for convenient double-sided printing.*

## TRIPOD STAND SPARE PART LIST

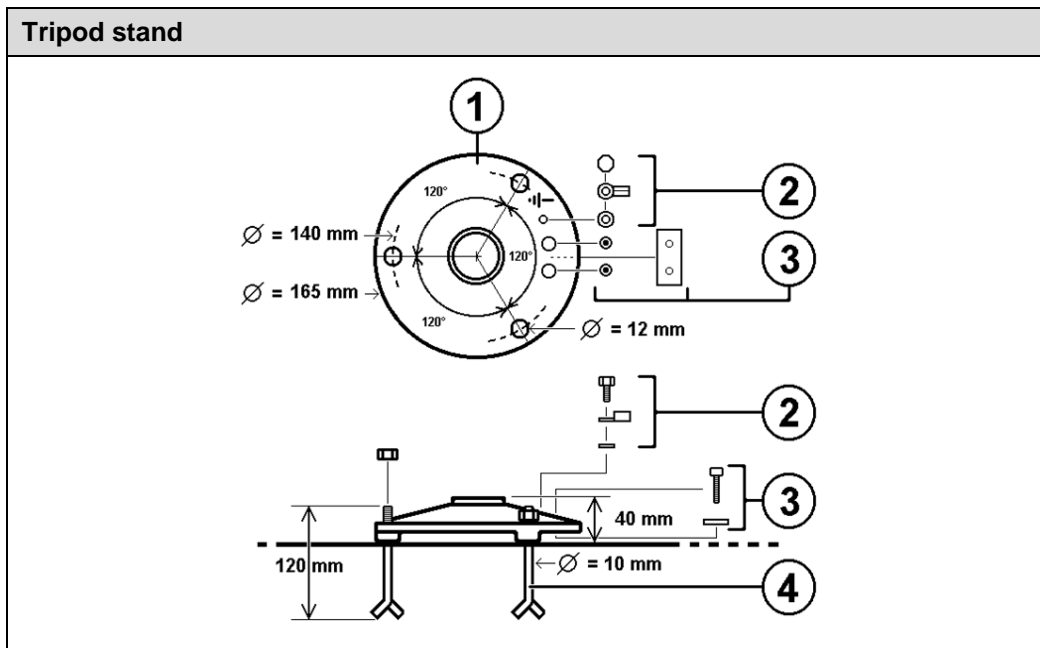
The following is a list of spare parts and a view of the tripod stand.

**Note:** Contact Safegate Group for assistance with ordering spare parts.

Item	Description	Quantity per code	New Code	Old code
1	Body of the tripod - With 2" NPS thread - With 2" BSP thread	1	12532 12534	96215669 96215671
2	Grounding accessories kit	1	On request	On request
3	Cable fixing kit	1	On request	On request
4	Expandable anchor	1	14897	96231857

**Note:** Component availability or design may be subject to change due to unforeseen circumstances. This document is subject to change or new information from Safegate Group, as and when available or if required, with reservation for error or price changes.

\* Contact Safegate Group for assistance with ordering spare parts.



## ELBOW TUBE SPARE PART LIST

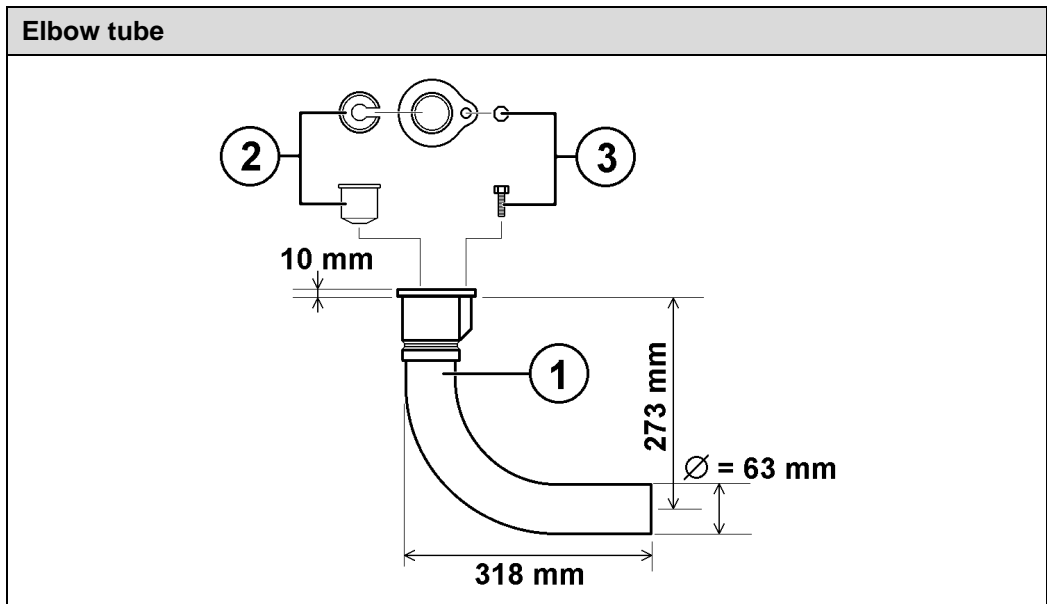
The following is a list of spare parts and a view of the elbow tube.

**Note:** Contact Safegate Group for assistance with ordering spare parts.

Item	Description	Quantity per code	New Code	Old code
1	Elbow tube alone - With 2" NPS thread - With 2" BSP thread	1	On request On request	On request On request
2	Grounding accessories kit	1 1	On request	On request
3	Cable retention device	1	On request	On request
1/2/3	Complete elbow tube = 1+2+3 - With 2" NPS thread - With 2" BSP thread	1	12530 12531	96215667 96215668

**Note:** Component availability or design may be subject to change due to unforeseen circumstances. This document is subject to change or new information from Safegate Group, as and when available or if required, with reservation for error or price changes.

\* Contact Safegate Group for assistance with ordering spare parts.



**BASE PLATE  
 SPARE PART LIST**

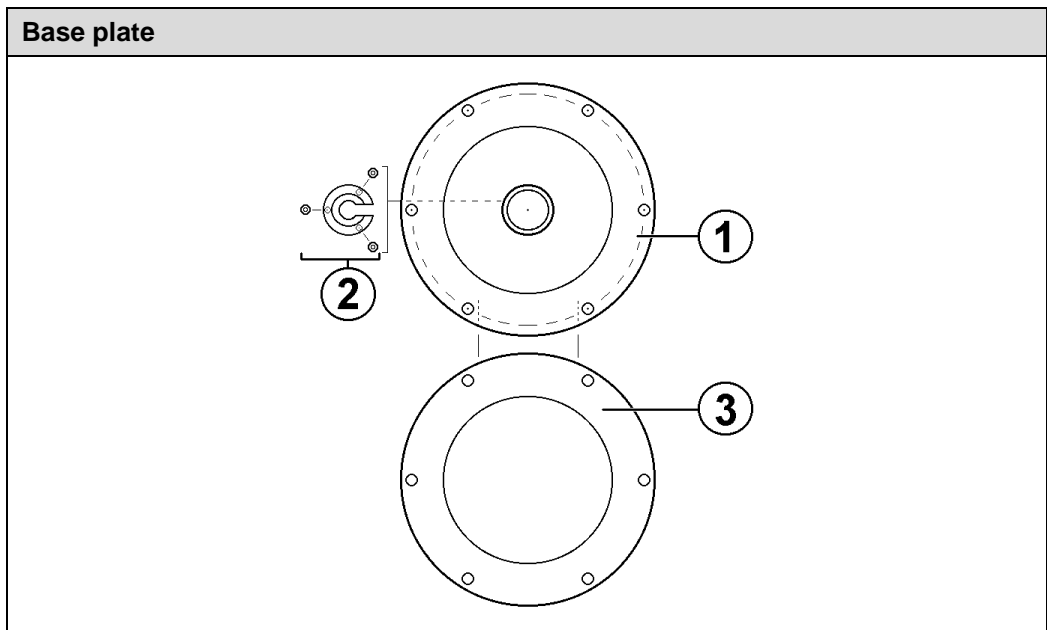
The following is a list of spare parts and a view of the base plate.

**Note:** Contact Safegate Group for assistance with ordering spare parts.

Item	Description	Quantity per code	New Code	Old code
1	Base plate alone with 2" NPS thread	1	On request	On request
2	Cable retention device and accessories	1 1	On request	On request
3	Gasket	1	On request	On request
	Complete Base plate = 1+2+3	1	-	400109

**Note:** Component availability or design may be subject to change due to unforeseen circumstances. This document is subject to change or new information from Safegate Group, as and when available or if required, with reservation for error or price changes.

\* Contact Safegate Group for assistance with ordering spare parts.



## FRANGIBLE COLLAR, COUPLING AND TUBE SPARE PART LIST

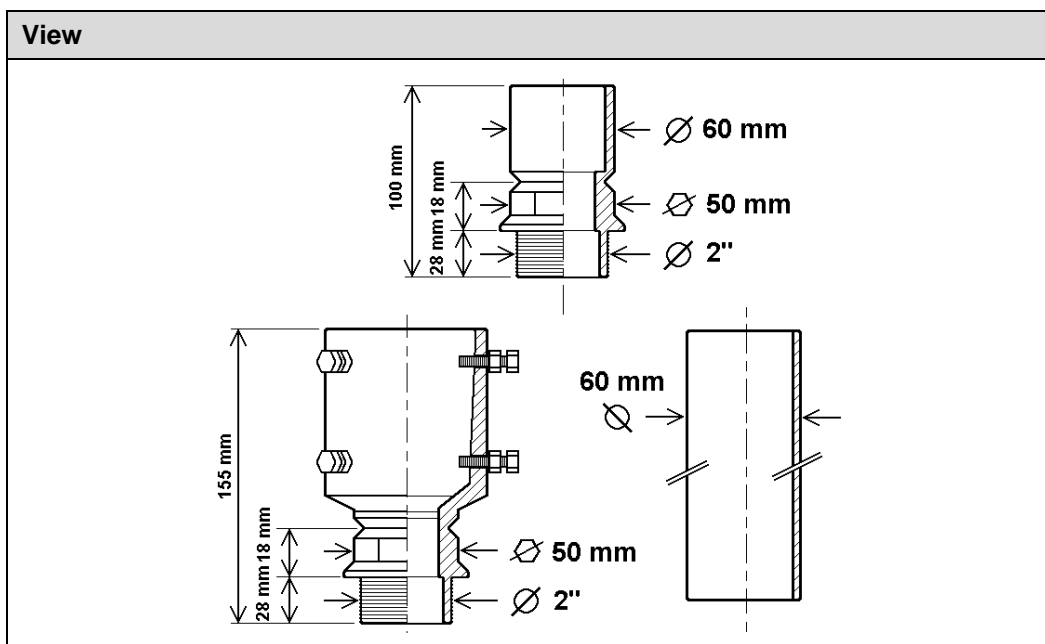
The following is a list of spare parts and a view of the equipment.

**Note:** Contact Safegate Group for assistance with ordering spare parts.

Item	Description	Quantity per code	New Code	Old code
	<b>Frangible collar</b>			
	With 2" NPS thread	1	12528	96215664
	With 2" BSP thread	1	12529	47297
	<b>Frangible coupling</b>			
	With 2" NPS thread	1	10148	96215666
	With 2" BSP thread	1	12533	96215670
	<b>60 mm tube</b>			
	- Length = 0.5 m	1	12505	96215585
	- Length = 0.8 m	1	12506	96215586
	- Length = 1.1 m	1	12507	96215587
	- Length = 1.4 m	1	12508	96215588
	- Length = 1.7 m	1	12509	96215589
	- Length = 2.0 m	1	12510	96215590

**Note:** Component availability or design may be subject to change due to unforeseen circumstances. This document is subject to change or new information from Safegate Group, as and when available or if required, with reservation for error or price changes.

\* Contact Safegate Group for assistance with ordering spare parts.









**Note:** *This page is blank for convenient double-sided printing.*

# Check in to the future

How many aircraft can your airport handle today?  
Can this number be increased without adverse effects on the airport's safety level?  
It is a known fact that traffic volume will rise in the foreseeable future. More movements will demand monitoring of the entire airport. Requirements will be sharpened and the development of an integrated system

controlling not only ground movements but also air traffic close to the airport is of the highest interest.  
The International Civil Aviation Organization (ICAO) already describes A-SMGCS, Advanced Surface Movement Guidance and Control System, as the answer to the future modern airport need to control the entire airport space in one superior system.

To a larger extent than today's systems, A-SMGCS will rely on automated processes to give both pilots and traffic controllers exact information about positions and directions. Safegate Group delivers complete A-SMGCS solutions already, as well as all vital parts relating to it. Safegate Group can check your airport into the future – today!



**Safegate Group HQ**  
Djurhagegatan 19  
SE-213 76 Malmö, Sweden  
Phone: +46 (0)40 699 17 00  
Fax: +46 (0)40 699 17 30  
E-mail: [market@safegate.com](mailto:market@safegate.com)

**China**  
[china@safegate.com](mailto:china@safegate.com)  
+8610-85275297

**France**  
[france@safegate.com](mailto:france@safegate.com)  
+33 (0)1 49 53 62 62

**Malaysia**  
[malaysia@safegate.com](mailto:malaysia@safegate.com)  
+60 16 551 7126

**Singapore**  
[singapore@safegate.com](mailto:singapore@safegate.com)  
+65 6289 6893

**Spain**  
[spain@safegate.com](mailto:spain@safegate.com)  
+34 917 157 598

**Australia**  
[australia@safegate.com](mailto:australia@safegate.com)  
+61 (0)3 9720-3233

**Dubai**  
[dubai@safegate.com](mailto:dubai@safegate.com)  
+971 4 452 75 75

**Germany**  
[germany@safegate.com](mailto:germany@safegate.com)  
+49 (0)231 9776754

**Qatar**  
[qatar@safegate.com](mailto:qatar@safegate.com)  
+974 436 9628

**UK**  
[uk@safegate.com](mailto:uk@safegate.com)  
+44 (0)208 573 0384

**Brazil**  
[brazil@safegate.com](mailto:brazil@safegate.com)  
+55 11 2137 4405

**Finland**  
[finland@safegate.com](mailto:finland@safegate.com)  
+358 (0)20754 7700

**India**  
[india@safegate.com](mailto:india@safegate.com)  
+91 11 4106 1545

**Russia**  
[russia@safegate.com](mailto:russia@safegate.com)  
+7 495 917 4614

**USA**  
[usa@safegate.com](mailto:usa@safegate.com)  
+1 763 535 92 99

**THORN** **IDMAN**  
Airfield Lighting

**SAFEGATE**  
GROUP 

Safegate Group offers solutions for increased safety, efficiency and environmental benefits to airports around the world. The company was founded in 1973 and has its headquarters in Malmö, Sweden. Safegate Group has over 70 partners around the globe in order to be close to its customers. The latest members of Safegate Group, Thorn AFL and Idman, have both over 40 years of experience in airfield lighting solutions for airports and heliports worldwide. Safegate Group's complete range of products and services, a "one-stop shop", provides solutions to customers and airborne travellers around the globe.

For more contact information and details:  
[www.safegate.com](http://www.safegate.com)