



Reliance EMIX-L LED Elevated Runway Edge Light
L-861, L-861E, & L861SE Medium Intensity, TP312 Threshold/
End, & MOS139 Medium & Low Intensity

Spare Parts

SP_3080, Rev. A, 2020/05/12

**ADB
SAFEGATE**

A.0 Disclaimer / Standard Warranty

CE certification

The equipment listed as CE certified means that the product complies with the essential requirements concerning safety and hygiene. The European directives that have been taken into consideration in the design are available on written request to ADB SAFEGATE.

ETL certification

The equipment listed as ETL certified means that the product complies with the essential requirements concerning safety and FAA Airfield regulations. The FAA directives that have been taken into consideration in the design are available on written request to ADB SAFEGATE.

All Products Guarantee

ADB SAFEGATE will correct by repair or replacement per the applicable guarantee above, at its option, equipment or parts which fail because of mechanical, electrical or physical defects, provided that the goods have been properly handled and stored prior to installation, properly installed and properly operated after installation, and provided further that Buyer gives ADB SAFEGATE written notice of such defects after delivery of the goods to Buyer. Refer to the Safety section for more information on Material Handling Precautions and Storage precautions that must be followed.

ADB SAFEGATE reserves the right to examine goods upon which a claim is made. Said goods must be presented in the same condition as when the defect therein was discovered. ADB SAFEGATE further reserves the right to require the return of such goods to establish any claim.

ADB SAFEGATE's obligation under this guarantee is limited to making repair or replacement within a reasonable time after receipt of such written notice and does not include any other costs such as the cost of removal of defective part, installation of repaired product, labor or consequential damages of any kind, the exclusive remedy being to require such new parts to be furnished.

ADB SAFEGATE's liability under no circumstances will exceed the contract price of goods claimed to be defective. Any returns under this guarantee are to be on a transportation charges prepaid basis. For products not manufactured by, but sold by ADB SAFEGATE, warranty is limited to that extended by the original manufacturer. This is ADB SAFEGATE's sole guarantee and warranty with respect to the goods; there are no express warranties or warranties of fitness for any particular purpose or any implied warranties of fitness for any particular purpose or any implied warranties other than those made expressly herein. All such warranties being expressly disclaimed.

Standard Products Guarantee

Products of ADB SAFEGATE manufacture are guaranteed against mechanical, electrical, and physical defects (excluding lamps) which may occur during proper and normal use for a period of two years from the date of ex-works delivery, and are guaranteed to be merchantable and fit for the ordinary purposes for which such products are made.



Note

See your sales order contract for a complete warranty description.

FAA Certified product installed in the United States or in US Military installations guarantee

ADB SAFEGATE L858 Airfield Guidance Signs are warranted against mechanical and physical defects in design or manufacture for a period of 2 years from date of installation, per FAA AC 150/5345-44 (applicable edition).

ADB SAFEGATE L858(L) Airfield Guidance Signs are warranted against electrical defects in design or manufacture of the LED or LED specific circuitry for a period of 4 years from date of installation, per FAA EB67 (applicable edition).

ADB SAFEGATE LED light fixtures (with the exception of obstruction lighting) are warranted against electrical defects in design or manufacture of the LED or LED specific circuitry for a period of 4 years from date of installation, per FAA EB67 (applicable edition).



Note

See your sales order contract for a complete warranty description.

Liability



WARNING

Use of the equipment in ways other than described in the catalog leaflet and the manual may result in personal injury, death, or property and equipment damage. Use this equipment only as described in the manual.

ADB SAFEGATE cannot be held responsible for injuries or damages resulting from non-standard, unintended uses of its equipment. The equipment is designed and intended only for the purpose described in the manual. Uses not described in the manual are considered unintended uses and may result in serious personal injury, death or property damage.

Unintended uses, includes the following actions:

- Making changes to equipment that have not been recommended or described in this manual or using parts that are not genuine ADB SAFEGATE replacement parts or accessories.
- Failing to make sure that auxiliary equipment complies with approval agency requirements, local codes, and all applicable safety standards if not in contradiction with the general rules.
- Using materials or auxiliary equipment that are inappropriate or incompatible with your ADB SAFEGATE equipment.
- Allowing unskilled personnel to perform any task on or with the equipment.

© ADB SAFEGATE BV

This manual or parts thereof may not be reproduced, stored in a retrieval system, or transmitted, in any form or by any means, electronic, mechanical, photocopying, recording, nor otherwise, without ADB SAFEGATE BV's prior written consent.

This manual could contain technical inaccuracies or typographical errors. ADB SAFEGATE BV reserves the right to revise this manual from time to time in the contents thereof without obligation of ADB SAFEGATE BV to notify any person of such revision or change. Details and values given in this manual are average values and have been compiled with care. They are not binding, however, and ADB SAFEGATE BV disclaims any liability for damages or detriments suffered as a result of reliance on the information given herein or the use of products, processes or equipment to which this manual refers. No warranty is made that the use of the information or of the products, processes or equipment to which this manual refers will not infringe any third party's patents or rights. The information given does not release the buyer from making their own experiments and tests.

TABLE OF CONTENTS

1.0 Safety	1
1.1 Safety Messages	1
1.1.1 Introduction to Safety	2
1.1.2 Intended Use	2
1.1.3 Material Handling Precautions: Storage	3
2.0 RELIANCE EMIX-L	5
2.1 Runway Edge, Threshold and End, L-861(L), L-861E(L) and L-861SE(L)	5
3.0 Reliance EMIX-L Parts	9
3.1 Parts Diagram	10
3.2 Reliance EMIX-L Spare Parts	14
A.0 SUPPORT	17
A.1 ADB SAFEGATE Website	17
A.2 Recycling	18
A.2.1 Local Authority Recycling	18
A.2.2 ADB SAFEGATE Recycling	18

1.0 Safety

Introduction to Safety

This section contains general safety instructions for installing and using ADB SAFEGATE equipment. Some safety instructions may not apply to the equipment in this manual. Task- and equipment-specific warnings are included in other sections of this manual where appropriate.

1.1 Safety Messages

HAZARD Icons used in the manual

For all HAZARD symbols in use, see the Safety section. All symbols must comply with ISO and ANSI standards.

Carefully read and observe all safety instructions in this manual, which alert you to safety hazards and conditions that may result in personal injury, death or property and equipment damage and are accompanied by the symbol shown below.



WARNING

Failure to observe a warning may result in personal injury, death or equipment damage.



DANGER - Risk of electrical shock or ARC FLASH

Disconnect equipment from line voltage. Failure to observe this warning may result in personal injury, death, or equipment damage. ARC Flash may cause blindness, severe burns or death.



WARNING - Wear personal protective equipment

Failure to observe may result in serious injury.



WARNING - Do not touch

Failure to observe this warning may result in personal injury, death, or equipment damage.



CAUTION

Failure to observe a caution may result in equipment damage.

Qualified Personnel



Important Information

The term **qualified personnel** is defined here as individuals who thoroughly understand the equipment and its safe operation, maintenance and repair. Qualified personnel are physically capable of performing the required tasks, familiar with all relevant safety rules and regulations and have been trained to safely install, operate, maintain and repair the equipment. It is the responsibility of the company operating this equipment to ensure that its personnel meet these requirements.

Always use required personal protective equipment (PPE) and follow safe electrical work practice.

1.1.1 Introduction to Safety



CAUTION

Unsafe Equipment Use

This equipment may contain electrostatic devices, hazardous voltages and sharp edges on components

- Read installation instructions in their entirety before starting installation.
- Become familiar with the general safety instructions in this section of the manual before installing, operating, maintaining or repairing this equipment.
- Read and carefully follow the instructions throughout this manual for performing specific tasks and working with specific equipment.
- Make this manual available to personnel installing, operating, maintaining or repairing this equipment.
- Follow all applicable safety procedures required by your company, industry standards and government or other regulatory agencies.
- Install all electrical connections to local code.
- Use only electrical wire of sufficient gauge and insulation to handle the rated current demand. All wiring must meet local codes.
- Route electrical wiring along a protected path. Make sure they will not be damaged by moving equipment.
- Protect components from damage, wear, and harsh environment conditions.
- Allow ample room for maintenance, panel accessibility, and cover removal.
- Protect equipment with safety devices as specified by applicable safety regulations
- If safety devices must be removed for installation, install them immediately after the work is completed and check them for proper functioning prior to returning power to the circuit.

Failure to follow this instruction can result in serious injury or equipment damage

Additional Reference Materials



Important Information

- IEC - International Standards and Conformity Assessment for all electrical, electronic and related technologies.
- IEC 60364 - Electrical Installations in Buildings.
- FAA Advisory: AC 150/5340-26 (current edition), Maintenance of Airport Visual Aid Facilities.
- Maintenance personnel must refer to the maintenance procedure described in the ICAO Airport Services Manual, Part 9.
- ANSI/NFPA 79, Electrical Standards for Metalworking Machine Tools.
- National and local electrical codes and standards.

1.1.2 Intended Use



CAUTION

Use this equipment as intended by the manufacturer

This equipment is designed to perform a specific function, do not use this equipment for other purposes

- Using this equipment in ways other than described in this manual may result in personal injury, death or property and equipment damage. Use this equipment only as described in this manual.

Failure to follow this instruction can result in serious injury or equipment damage

1.1.3 Material Handling Precautions: Storage



CAUTION

Improper Storage

Store this equipment properly

- If equipment is to be stored prior to installation, it must be protected from the weather and kept free of condensation and dust.

Failure to follow this instruction can result in equipment damage

2.0 RELIANCE EMIX-L

L-861(L), L-861E(L) & L861SE(L) LED Elevated Runway Edge Light, and MOS139 Medium and Low Intensity.



2.1 Runway Edge, Threshold and End, L-861(L), L-861E(L) and L-861SE(L)

Compliance with Standards

FAA:	L-861(L), L-861E(L) and L-861SE(L) AC 150/5345-46 (Current Edition) and the FAA EB No. 67. ETL Certified.
ICAO:	Annex 14, Vol. I (Current Edition)
T/C:	Transport Canada TP 312, para. 5.3.12.7 and Appendix 5B Table 5B-1
MOS:	Part 139, para. 9.10.6, 9.10.13, 9.10.19 and 9.10.22

Uses

FAA L-861(L)	<ul style="list-style-type: none"> Runway edge Visual or non-precision IFR runways
FAA L-861E(L)	<ul style="list-style-type: none"> Runway threshold/end Visual runways or non-precision IFR runways
FAA L-861SE(L)	<ul style="list-style-type: none"> Runway threshold/end Non-precision IFR runways
ICAO and T/C	<ul style="list-style-type: none"> Runway edge, medium intensity Runway threshold/end, medium intensity
MOS	<ul style="list-style-type: none"> Low-intensity runway edge and threshold/end Medium-intensity runway edge and threshold/end Stopway

Operating Conditions

Temperature:	-40°F to +131°F / -40°C to +55°C
Wind:	Withstands wind velocities up to 300 mph / 482 kph

Packaging

Assembled Fixtures	Dimensions of Cartons (H x W x D)		Indiv. Weight lb / kg
	Individual in / cm	15 per box in / cm	
14" OAH	20.5 × 6.5 × 6.5 / 52 × 17 × 17	19.5 × 23.5 × 15.75 / 50 × 60 × 40	5 lb / 2.3 kg
24" OAH	31 × 6.5 × 6.5 / 79 × 17 × 17	29.5 × 23.5 × 15.7 / 49.5 × 49.5 × 78.7	6.25 lb / 2.8 kg
30" OAH	6.5 × 6.5 × 37 / 16.5 × 16.5 × 94	19.5 × 19.5 × 37 / 49.5 × 49.5 × 94	7 lb / 3.2 kg

Leveling Device Ordering Code

For accurate aiming and leveling, it is recommended to have one leveling device per airfield.



44A7645

Power Supply

Medium-intensity runway fixtures should be operated on a 3-step series circuit. 6.6 A through an L-830 (for 60 Hz) or L-831 (for 50 Hz) isolation transformer. Light fixtures LED lights have been designed to work with any IEC- or FAA-compliant transformer up to 30/45 W without affecting performance or lifetime of the light or the transformer.

	Fixture Load	Isolation Transformer	Isol. XF Load	CCR Load
L-861(L)				
W/out heater	9.9 VA	10/15 W	11.6 VA	21.5VA
With heater	29.9 VA	30/45 W	9 VA	38.9 VA
L-861E(L) - Bidirectional				
W/out heater	5.7 VA	10/15 W	12.2 VA	17.9 VA
With heater	25.7 VA	30/45 W	9 VA	34.7 VA
L-861E(L) - Unidirectional				
W/out heater	4.8 VA	10/15 W	12.4 VA	17.2 VA
With heater	24.8 VA	30/45 W	9 VA	33.8 VA
L-861SE(L) - Bidirectional				
W/out heater	14.1 VA	10/15 W	12.1 VA	26.2 VA
With heater	34.1 VA	30/45 W	9 VA	43.1 VA
L-861SE(L) - Unidirectional				
W/out heater	10.6 VA	10/15 W	12.3 VA	22.8 VA
With heater	30.6 VA	30/45 W	9 VA	39.6 VA
MOS 139 - Low-intensity				
W/out heater	11.3 VA	10/15 W	6.7 VA	18.0 VA
MOS 139 - Medium-intensity				
W/out heater	22.5 VA	20/25 W	10.1 VA	32.6 VA

For more information about the product, including manuals, certifications, and photometric data, please see our Product Center on the ADB SAFEGATE website: www.adbsafegate.com.

3.0 Reliance EMIX-L Parts

Ordering Code

E MI X X X X 0 X X X 0 X 0 0

Application

MI = Runway edge, medium-intensity

Lens Type

S = Glass

Cable and Connector

2 = 1 plug (2-pin)

6 = 1 plug (2-pin) and separate earth ground wire¹

8 = 1 plug (2-pin), externally connected^{1,2}

Color – Side 1^{4,5,6}

W = White

Y = Yellow

R = Red

G = Green

N = None (Obscured)

Color – Side 2^{4,5,6}

W = White

Y = Yellow

R = Red

G = Green

N = None (Obscured)

0

Overall Fixture Height/Coupling

1 = 14 in (35.6 cm) with 1.5" coupling, 12 TPI

2 = 20 in (50.8 cm) with 1.5" coupling, 12 TPI

3 = 24 in (61.0 cm) with 1.5" coupling, 12 TPI

4 = 30 in (76.2 cm) with 1.5" coupling, 12 TPI

5 = 14 in (35.6 cm) with 2" coupling, 11.5 TPI

6 = 20 in (50.8 cm) with 2" coupling, 11.5 TPI

7 = 24 in (61.0 cm) with 2" coupling, 11.5 TPI

8 = 30 in (76.2 cm) with 2" coupling, 11.5 TPI

9 = 14 in (35.6 cm) with 2" coupling, 11 TPI^{1,3}

A = 20 in (50.8 cm) with 2" coupling, 11 TPI^{1,3}

B = 24 in (61.0 cm) with 2" coupling, 11 TPI^{1,3}

C = 30 in (76.2 cm) with 2" coupling, 11 TPI^{1,3}

Power Supply

S = Current Driven, 50/60 Hz

Photometrics

0 = ICAO- and FAA-compliant

F = FAA-compliant (L-861SE only)

C = Canada, TP 312-compliant¹

L = MOS 139-compliant (low-intensity)¹

M = MOS 139-compliant (medium-intensity)¹

0

Arctic Option

0 = Without arctic option

1 = With arctic option⁷

0

Version

0 = Original version

Ordering Code Notes

- ¹ Not ETL Certified
- ² Cord set connected external to column
- ³ Normally used in metric applications
- ⁴ Color combinations not recognized by FAA: white/green, white/obscured, and yellow/obscured
- ⁵ FAA color combinations are: red, red/green, obscured/red, obscured/green white/red, white/green, yellow/red, and yellow/green
- ⁶ MOS color combinations are white/white, red/white, red/obscured, red/green, and obscured/green
- ⁷ Not available for MOS 139

EMIS-L Leveling Device
Ordering Code

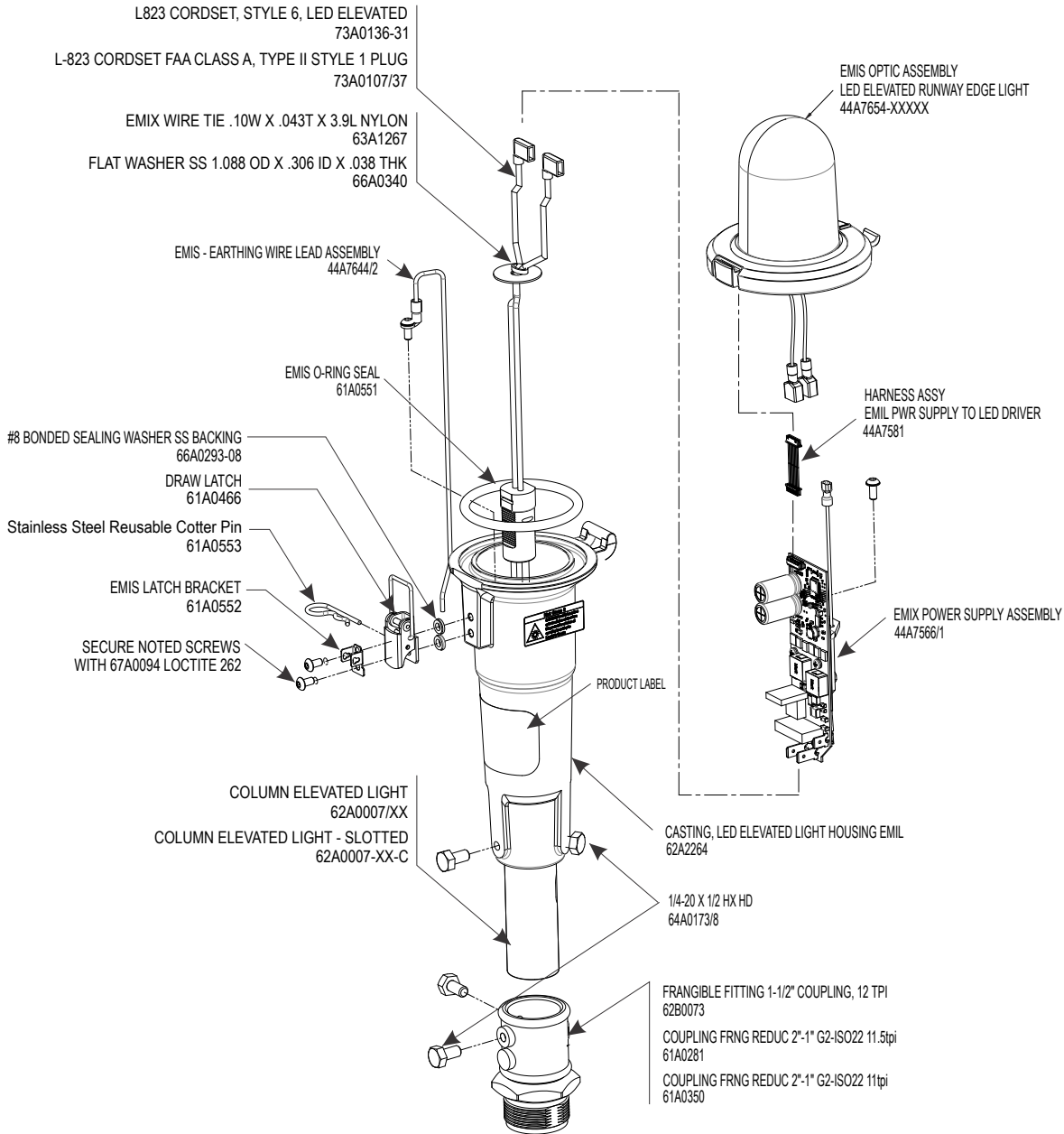
For accurate aiming and leveling, it is recommended to have one leveling device per airfield.



44A7645

3.1 Parts Diagram

Figure 1: EMIS-L Assembly





Note

See Figure 2 for TP312 column options.

Figure 2: TP312 Column Options

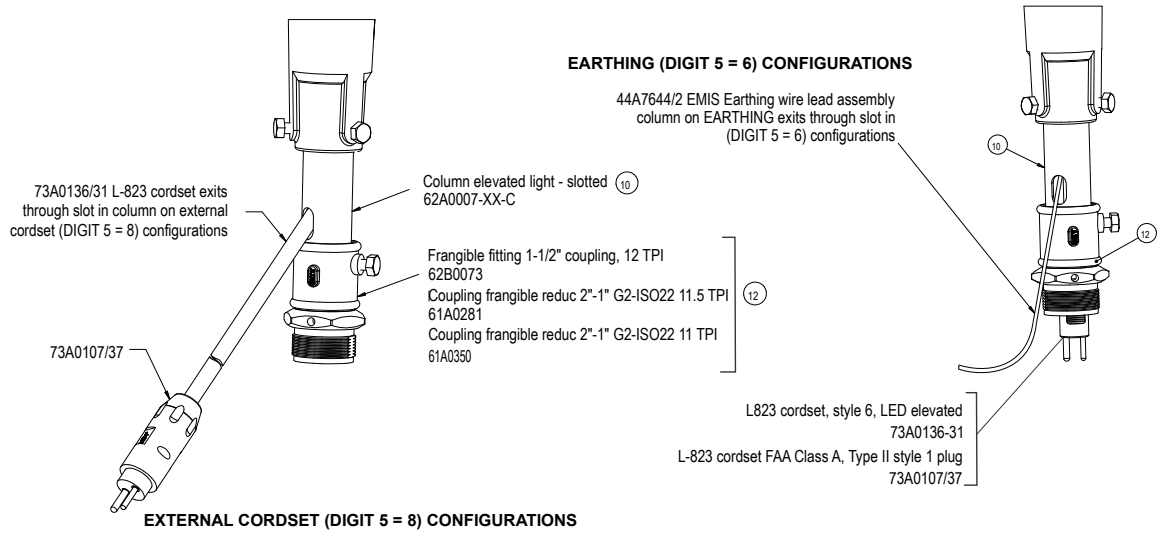


Table 1: Columns and Couplings

TABLE B (DIGIT 9 & DIGIT 5)

Digit 9 OAH/ Coupling	DIGIT 5 = 2 OR 6		DIGIT 5 = 8					
	Digit 5 = 2 62A0007/XX Column	Digit 5 = 6 62A0007/XX / C Column	73A0136/31 Cut Length "Dim X" .25 IN [6.4 mm]	73A0136/31 Cut Length "Dim X" .25 IN [6.4 mm]	Column 62A0007/XX /X	73A0107/37 Cut Length "Dim X" .25 IN [6.4 mm]	Frangible Coupling	
1	/3	/3/C	9.25 IN	235 mm		17.88 IN	454.2 mm	62B0073
2	/27	/27/C	15.25 IN	387.4 mm		23.88 IN	606.6 mm	
3	/13	/13/C	19.38 IN	492.3 mm		28.00 IN	711.2 mm	
4	/19	/9/C	25.38 IN	644.7 mm		33.12 IN	841.3 mm	
5	/3	/3/C	9.25 IN	235 mm	/3/C	17.88 IN	454.2 mm	61A0281
6	/27	/27/C	15.25 IN	387.4 mm		23.88 IN	606.6 mm	
7	/13	/13/C	19.38 IN	492.3 mm	/13/C	28.00 IN	711.2 mm	
8	/19	/19/C	25.38 IN	644.7 mm	/19/C	33.12 IN	841.3 mm	
9	/3	/3/C	9.25 IN	235 mm		17.88 IN	454.2 mm	61A0350
A	/27	/27/C	15.25 IN	387.4 mm		23.88 IN	606.6 mm	
B	/13	/13/C	19.38 IN	492.3 mm		28.00 IN	711.2 mm	
C	/19	/19/C	25.38 IN	644.7 mm		33.12 IN	841.3 mm	
D	/7.9	/7.9/C	14.00 IN	355.6 mm		22.38 IN	568.5 mm	62B0073
E	/7.9	/7.9/C	14.00 IN	355.6 mm		22.38 IN	568.5 mm	61A0281
F	/7.9	/7.9/C	14.00 IN	355.6 mm		22.38 IN	568.5 mm	61A0350
G	/3	/3/C	9.25 IN	235 mm	/3/C	17.88 IN	454.2 mm	-

Figure 3: Optic Assembly Parts Diagram

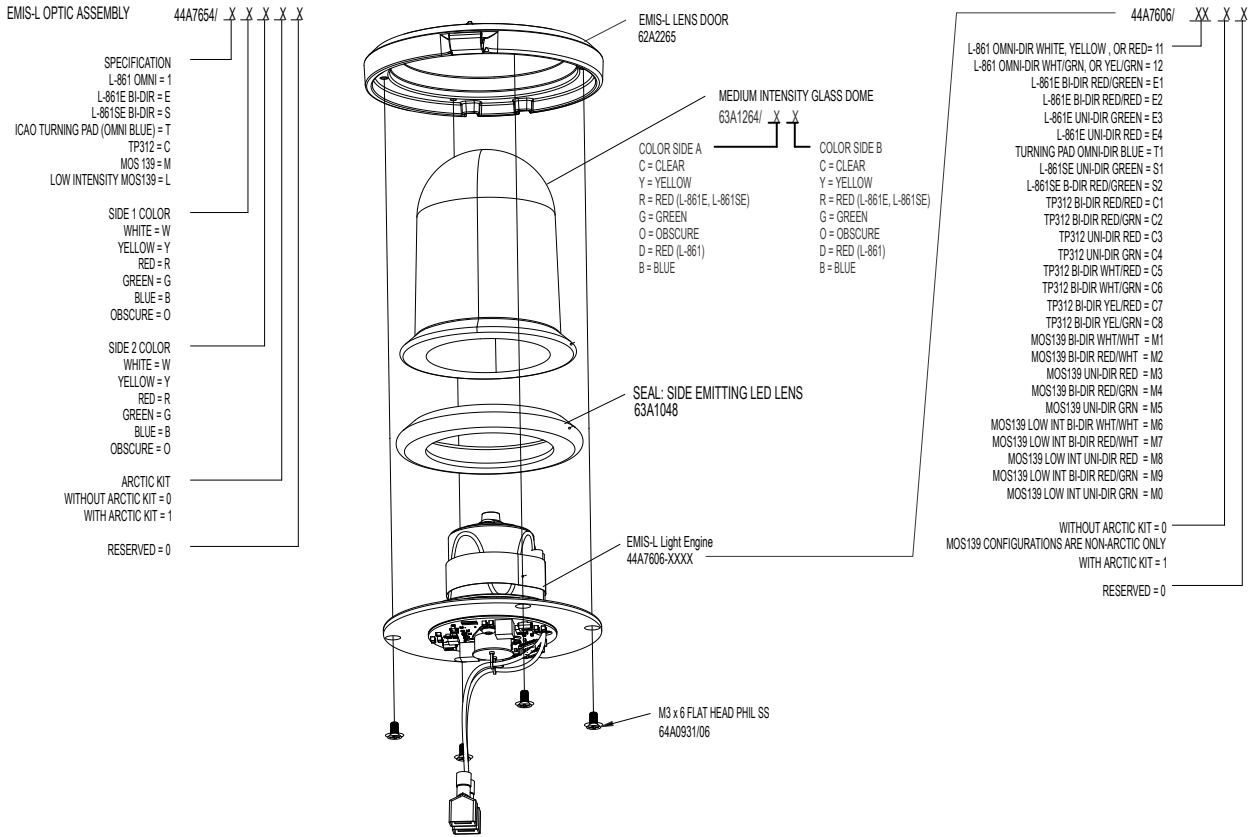


Figure 4: Optic Assembly Combinations / Codes

EMIX DIGIT 11	TYPE	USING ASSEMBLY	CONFIG	COLOR		GLASS DOME	LIGHT ENGINE	
		EMISX XX	44A7654 /XXXXX	SIDE 1	SIDE 2	63A1264 /XX	44A7606 /XXXX	
0	L-861	WW	1WWX0	WHT	WHT	CC	11X0	
		WY	1WYX0	WHT	YEL	CY		
		WR	1WRX0	WHT	RED	CD		
		WO	1WOX0	WHT	OBS	CO		
		YY	1YYX0	YEL	YEL	YY		
		YR	1YRX0	YEL	RED	YD		
		YO	1YOX0	YEL	OBS	YO		
	L-861E	YG	1YGX0	YEL	GRN	YG	12X0	
		WG	1WGX0	WHT	GRN	CG		
		RR	ERRX0	RED	RED	RR		E2X0
		RG	ERGX0	RED	GRN	RG		E1X0
		OR	EORX0	OBS	RED	RO		E4X0
		OG	EOGX0	OBS	GRN	GO		E3X0
		F	L-861SE	RG	SRGX0	RED		GRN
OG	SOGX0			OBS	GRN	GO	S1X0	
I	ICAO TPL	BB	TBBX0	BLU	BLU	BB	T1X0	
C	TP312	RR	CRRX0	RED	RED	RR	C1X0	
		RG	CRGX0	RED	GRN	RG	C2X0	
		RO	CROX0	RED	OBS	RO	C3X0	
		GO	CGOX0	GRN	OBS	GO	C4X0	
		WR	CWRX0	WHT	RED	CR	C5X0	
		WG	CWGX0	WHT	GRN	CG	C6X0	
		YR	CYRX0	YEL	RED	YR	C7X0	
		YG	CYGX0	YEL	GRN	YG	C8X0	
M	MOS 139 NON-ARCTIC ONLY	WW	MWW00	WHT	WHT	CC	M100	
		RW	MRW00	RED	WHT		M200	
		RO	MRO00	RED	OBS		M300	
		RG	MRG00	RED	GRN		M400	
		OG	MOG00	OBS	GRN		M500	
L	MOS 139 LOW INTENSITY NON-ARCTIC ONLY	WW	LWW00	WHT	WHT	CC	M600	
		RW	LRW00	RED	WHT		M700	
		RO	LRO00	RED	OBS		M800	
		RG	LRG00	RED	GRN		M900	
		OG	LOG00	OBS	GRN		M000	

CONFIGURATIONS
NOT AVAILABLE

Table 2: EMIX Possible Color Combinations

TABLE A (DIGITS 6, 7 & 11)

DIGIT 6	DIGIT 7	DIGIT 11	44A7654/XXXXX OPTIC ASSEMBLY	REFERENCE INFO TYPE
W	W	0	1WWX0	L-861
W	Y	0	1WYX0	
W	R	0	1WRX0	
W	G	0	1WGX0	
W	N(O)	0	1WOX0	
Y	Y	0	1YYX0	
Y	R	0	1YRX0	
Y	G	0	1YGX0	
Y	N(O)	0	1YOX0	

Table 2: EMIX Possible Color Combinations (continued)

TABLE A (DIGITS 6, 7 & 11)				
DIGIT 6	DIGIT 7	DIGIT 11	44A7654/XXXXX OPTIC ASSEMBLY	REFERENCE INFO TYPE
R	R	0	ERRX0	L-861E
R	G	0	ERGX0	
N(O)	R	0	EORX0	
N(O)	G	0	EOGX0	
R	G	F	SRGX0	L-861SE
N(O)	G	F	SOGX0	
R	R	C	CRRX0	TP312 Threshold/End
R	G	C	CRGX0	
R	N(O)	C	CROX0	
G	N(O)	C	CGOX0	
W	W	M	MWW00	MOS 139 non-arctic
R	W	M	MRW00	
R	N(O)	M	MRO00	
R	G	M	MRG00	
N(O)	G	M	MOG00	MOS 139 Low Intensity, non-arctic
W	W	L	LWW00	
R	W	L	LRW00	
R	N(O)	L	LRO00	
R	G	L	LRG00	
N(O)	G	L	LOG00	ICAO TPL (ETP)
B	B	I	TBBX0	



Note

1. Digit 6 & 7 color combinations shown are the only combinations possible. ex: green/red is not possible since red/green is shown.
2. Only the ICAO TPL prefix is ETP. Prefix for all other configurations is EMI.

3.2 Reliance EMIX-L Spare Parts

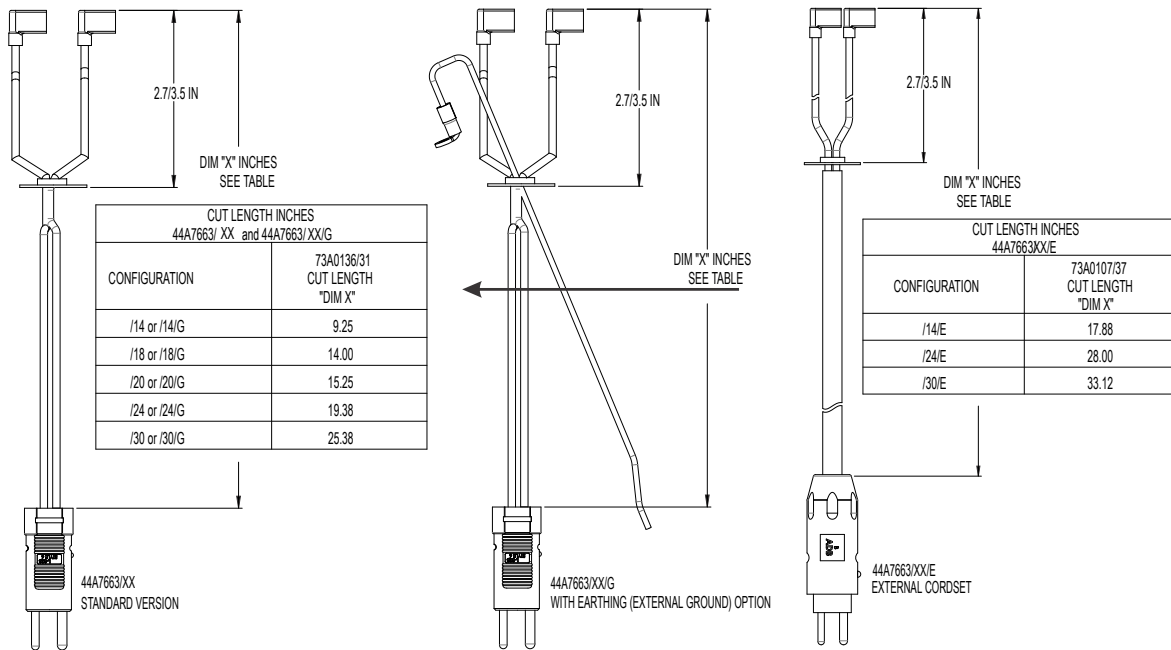
Table 3: EMI-X Spare Parts

Description	Part No.	Notes
Column for 14" OAH	62A0007-3	See Figure 1 and Figure 2
Column for 18" OAH	62A0007-7.9	
Column for 20" OAH	62A0007-27	
Column for 24" OAH	62A0007-13	
Column for 30" OAH	62A0007-19	

Table 3: EMI-X Spare Parts (continued)

Description	Part No.	Notes
Spare EMIS Cordset Assembly 14"	44A7663-14	See Figure 2 and Figure 5
Spare EMIS Cordset Assembly 18"	44A7663-18	
Spare EMIS Cordset Assembly 20"	44A7663-20	
Spare EMIS Cordset Assembly 24"	44A7663-24	
Spare EMIS Cordset Assembly 30"	44A7663-30	
Spare ICAO TP312 internal Cordset plus External Earthing Wire	44A7663/XX/G	See Figure 2 and Figure 5
Spare ICAO TP312 External Cordset	44A7663/XX/E	See Figure 2 and Figure 5
Frangible coupling, 1.5 inch, 12 TPI	62B0073/SPARE	See Figure 2
Frangible coupling, 2 inch, 11.5 TPI	61A0281/SPARE	
Frangible coupling, 2 inch, 11 TPI	61A0350/SPARE	
EMIS Optical Assembly	44A7654-xxxx	See Figure 4
Medium Intensity Glass Lens	63A1264-xx	See Figure 4
Seal, lens	63A1048	See Figure 2
Lens Door	62A2265	See Figure 2
Seal, top to bottom cover	61A0551	See Figure 1
Power supply with bracket	44A7566-1	See Figure 1
LED assembly	44A7606-xxxx	See Figure 4
Arctic Wire Lead Assembly	44A7644-3	
Stainless Steel Cotter Pin	61A0553	See Figure 1

Figure 5: Cordsets



Appendix A: SUPPORT

Our experienced engineers are available for support and service at all times, 24 hour/7 days a week. They are part of a dynamic organization making sure the entire ADB SAFEGATE is committed to minimal disturbance for airport operations.

ADB SAFEGATE Support

Live Technical Support - Americas

If at any time you have a question or concern about your product, just contact ADB SAFEGATE's technical service department. Trained in all areas of system issues, troubleshooting, quality control and technical assistance, our highly experienced Technical support specialists are available 24 hours a day, seven days a week to provide assistance over the phone.

ADB SAFEGATE **Americas Technical Service & Support (US & Canada): +1-800-545-4157**

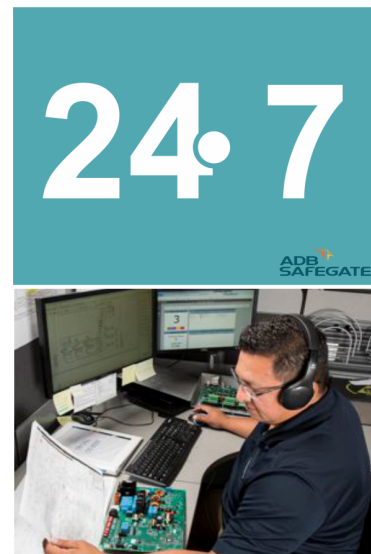
ADB SAFEGATE Americas Technical Service & Support (International): +1-614-861-1304

During regular business hours, you can also Chat with a Service Technician. We look forward to working with you!

Before You Call

When you have an airfield lighting or system control system problem it is our goal to support airfield maintenance staff as quickly as possible. To support this effort we ask that you have the following information ready before calling.

- The *airport code*
- If not with an airport, then company name (prefer customer id number)
- Contact phone number and email address
- Product with part number preferable or product number
- Have you reviewed the product's manual and troubleshooting guide
- Do you have a *True RMS* meter available (and any other necessary tools)
- Be located with the product ready to troubleshoot



Note

For more information, see www.adbsafegate.com, or contact ADB SAFEGATE Support via email at support@adbsafegate.com or

Brussels: +32 2 722 17 11

Rest of Europe: +46 (0) 40 699 17 40

Americas: +1 614 861 1304. Press 3 for technical service or press 4 for sales support.

China: +86 (10) 8476 0106

A.1 ADB SAFEGATE Website

The ADB SAFEGATE website, www.adbsafegate.com, offers information regarding our airport solutions, products, company, news, links, downloads, references, contacts and more.

A.2 Recycling

A.2.1 Local Authority Recycling

The disposal of ADB SAFEGATE products is to be made at an applicable collection point for the recycling of electrical and electronic equipment. The correct disposal of equipment prevents any potential negative consequences for the environment and human health, which could otherwise be caused by inappropriate waste handling. The recycling of materials helps to conserve natural resources. For more detailed information about recycling of products, contact your local authority city office.

A.2.2 ADB SAFEGATE Recycling

ADB SAFEGATE is fully committed to environmentally-conscious manufacturing with strict monitoring of our own processes as well as supplier components and sub-contractor operations. ADB SAFEGATE offers a recycling program for our products to all customers worldwide, whether or not the products were sold within the EU.

ADB SAFEGATE products and/or specific electrical and electronic component parts which are fully removed/separated from any customer equipment and returned will be accepted for our recycling program.

All items returned must be clearly labelled as follows:

- For *ROHS/WEEE* Recycling
- Sender contact information (Name, Business Address, Phone number).
- Main Unit Serial Number.

ADB SAFEGATE will continue to monitor and update according for any future requirements for *EU directives* as and when *EU member states* implement new *regulations* and or *amendments*. It is our aim to maintain our *compliance plan* and assist our customers.

Company Addresses

ADB SAFEGATE	ADB SAFEGATE, Belgium: Leuvensesteenweg 585, B-1930 Zaventem Belgium
Contact: Tel.: +32 2 722 17 11, Fax: +32 2 722 17 64	Email: marketing@adbsafegate.com Internet: www.adbsafegate.com
Americas LLC	ADB SAFEGATE, Americas: 977 Gahanna Parkway, Columbus, OH 43230 USA
Contact: Tel.: +1 (614) 861 1304, Fax: +1 (614) 864 2069	Email: sales.us@adbsafegate.com Internet: www.adbsafegate.com
ADB SAFEGATE Sweden AB	ADB SAFEGATE, Sweden: Djurhagegatan 19 SE-213 76 Malmö Sweden
Contact: Tel.: +46 (0)40 699 17 00, Fax: +46 (0)40 699 17 30	Email: marketing@adbsafegate.com Internet: www.adbsafegate.com
ADB SAFEGATE Airfield Technologies Ltd. China	ADB SAFEGATE, China: Unit 603, D Block, CAMIC International Convention Center, No 3, Hua Jia Di East road, ChaoYang district, Beijing 100102 P.R. China
Contact: Tel.: +86 (10) 8476 0106, Fax: +86 (10) 8476 0090	Email: china@safegate.com Internet: www.adbsafegate.com
ADB SAFEGATE Germany GmbH	ADB SAFEGATE Germany GmbH, Mannheim: Konrad-Zuse-Ring 6, D-68163 Mannheim Germany
Contact: Tel.: +49 (621) 87 55 76-0, Fax: +49 (621) 87 55 76-55	Email: marketing@adbsafegate.com Internet: www.adbsafegate.com



Powering Your Airport Performance from Approach to Departure

adbsafegate.com

Copyright © ADB SAFEGATE, all rights reserved

