

Airfield Lighting

Spare Part List

12" Inset Light – IDM 4572

- Inset Bi-directional Runway Centre Line Light



Note: *This page is blank for convenient double-sided printing.*

SPARE PART LIST
12" INSET LIGHT
IDM 4572

This document includes a list of spare parts with exploded view examples.

Note: Contact Safegate Group for assistance with ordering spare parts.

Description	No.	Quantity	Drawing	Code	Note
Top cover EDGE	1	1	O-38222	10424	Cast
Gasket	2	2	O-48135	10229	
Prism, clear Prism, red	3	2	O-48134	10231 10451	1+1 in versions C/R and R/C
Prism protection plate	4	2	O-48263	10485	
Prism fastening plate	5	2	O-48210	10484	
O-ring gasket Ø219,3x5,7	6	1	-	10227	
Optics assembly plate RCL	7	1	O-38259	10481	
Lamp holder	8	2	O-48302	10455	
Lamp fastener	9	2	O-48257	10477	
Lamp 48W 6,6A ø50mm	10	2	-	11882	ø4mm connectors
Pin, captive	11	2	O-48258	10482	
Pin, fixed	12	2	O-48262	10483	
Coil spring SPEC D21500	13	4	-	10092	
C-ring DIN 6799-4	14	4	-	10097	
Sleeve	15	11	O-48140	10232	
Insulation rubber 318-928	16	11	-	11567	
Terminal strip, 2-pole, 10A	17	2	-	11743	Ceramic
Terminal pin ø 4 mm	18	4	O-48279	-	
Inner cover	19	1	O-38204	10222	
Fastening plate, inner cover	20	3	O-48205	10221	
O-ring gasket Ø6x2	21	1		11815	
Valve assembly	22	1	O-48201	10235	Includes needle and cap
Cable gland AGRO M6, Viton 1005.91	23	2	-	10061	
Secondary cable 400 mm 2x1,5mm ²	24	1	-	11628	Vulcanised, PTFE
Rivet ø 4x12,5	25	6	-	11895	Cast
Slot screw M4x20 DIN 84, A4	26	2	-	11941	
Spring washer ø4mm DIN 127, A4	27	2	-	11944	
Nut M4 DIN 934 A4	28	2	-	11807	
Cross slot screw M4x16 DIN 7500C, A4	29	5	-	10098	
Washer ø4mm DIN 9021, A4	30	5	-	12021	
Allen screw M6x16 DIN 912, A4	31	8	-	10021	
Spring washer ø 6 mm DIN 127, A4	32	8	-	11946	
Slot screw M4x12 DIN 84, A4	33	3	-	11940	
Cross slot screw M4x12 DIN 7500 M, A4	34	6	-	12008	

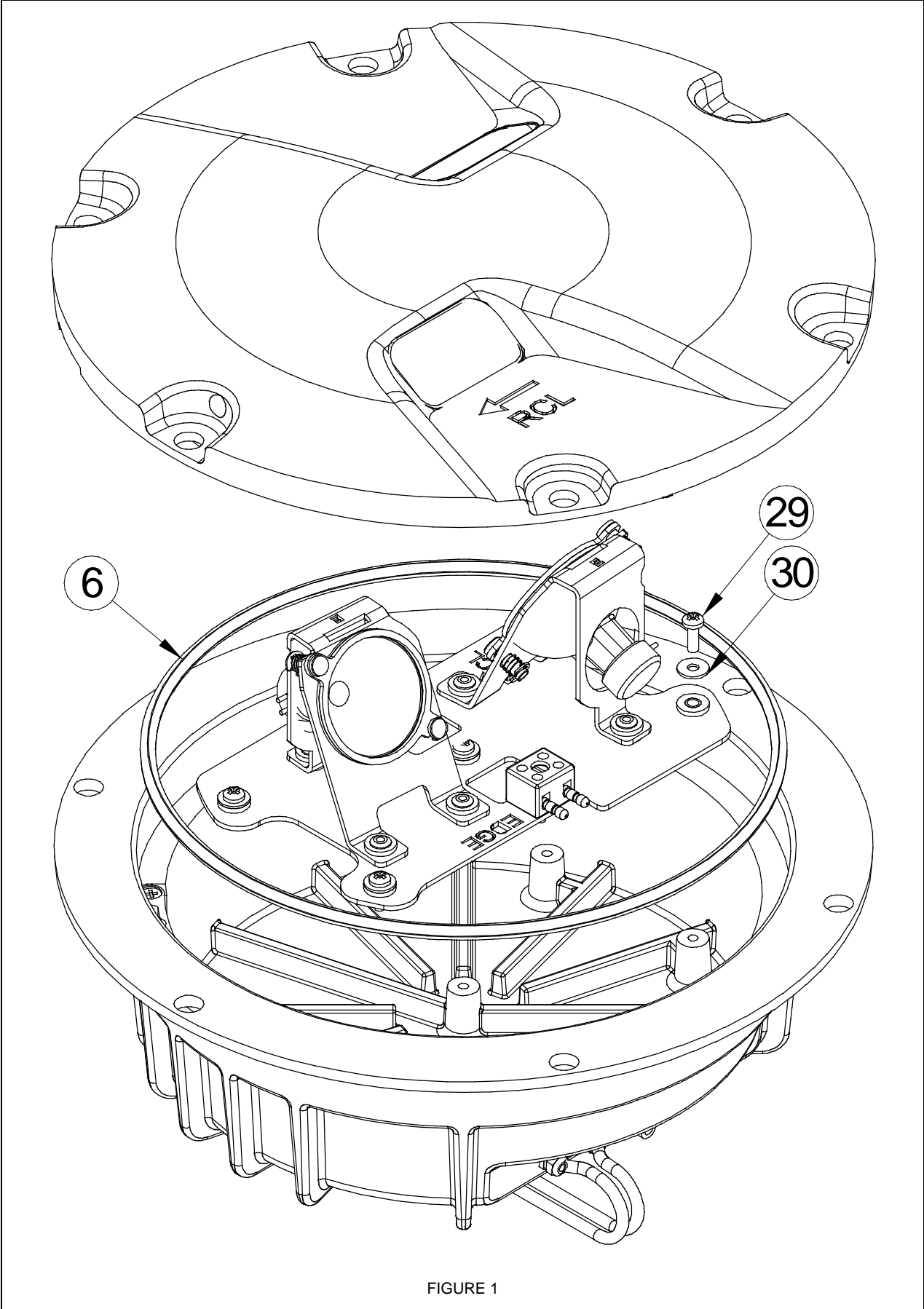


FIGURE 1

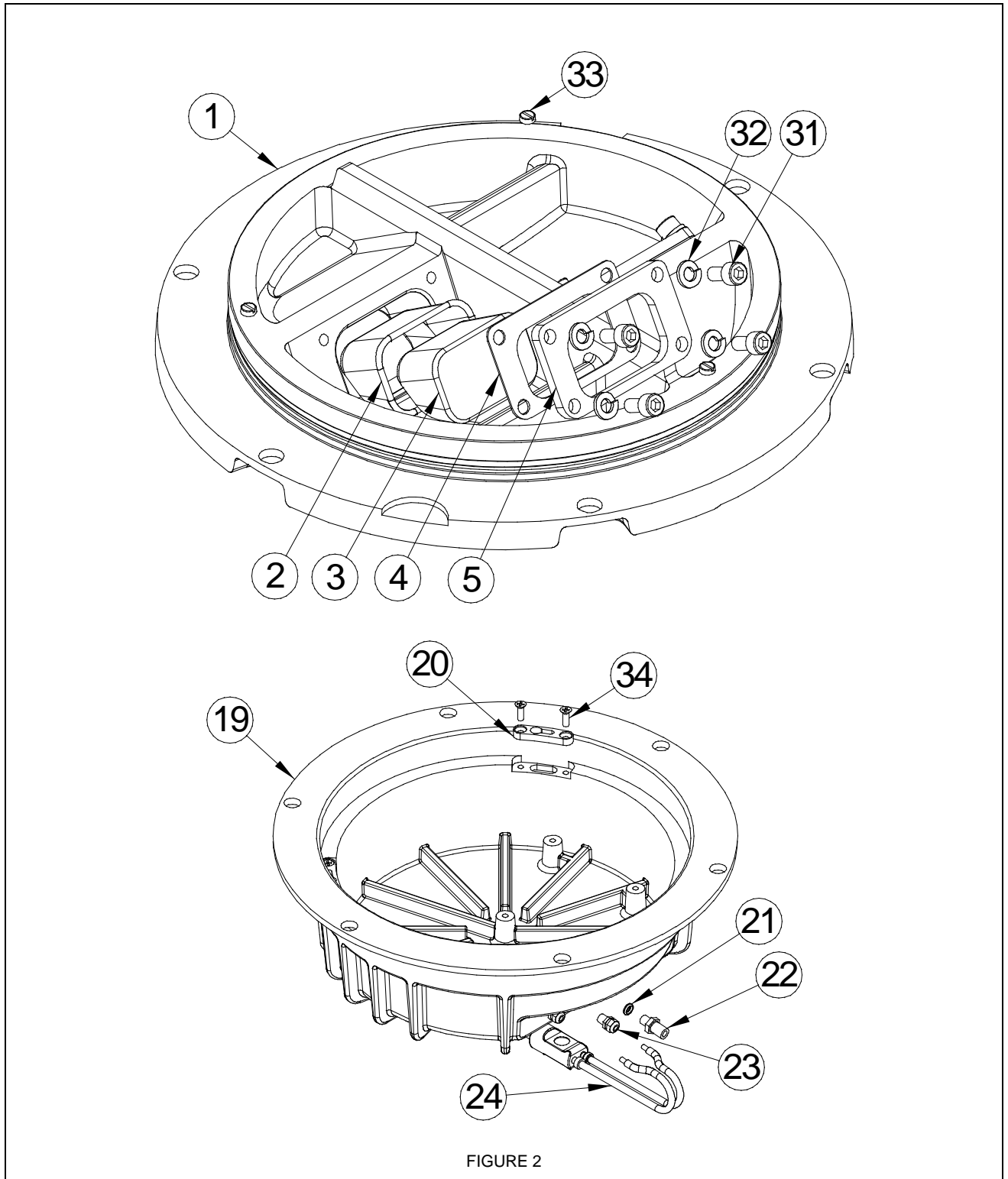
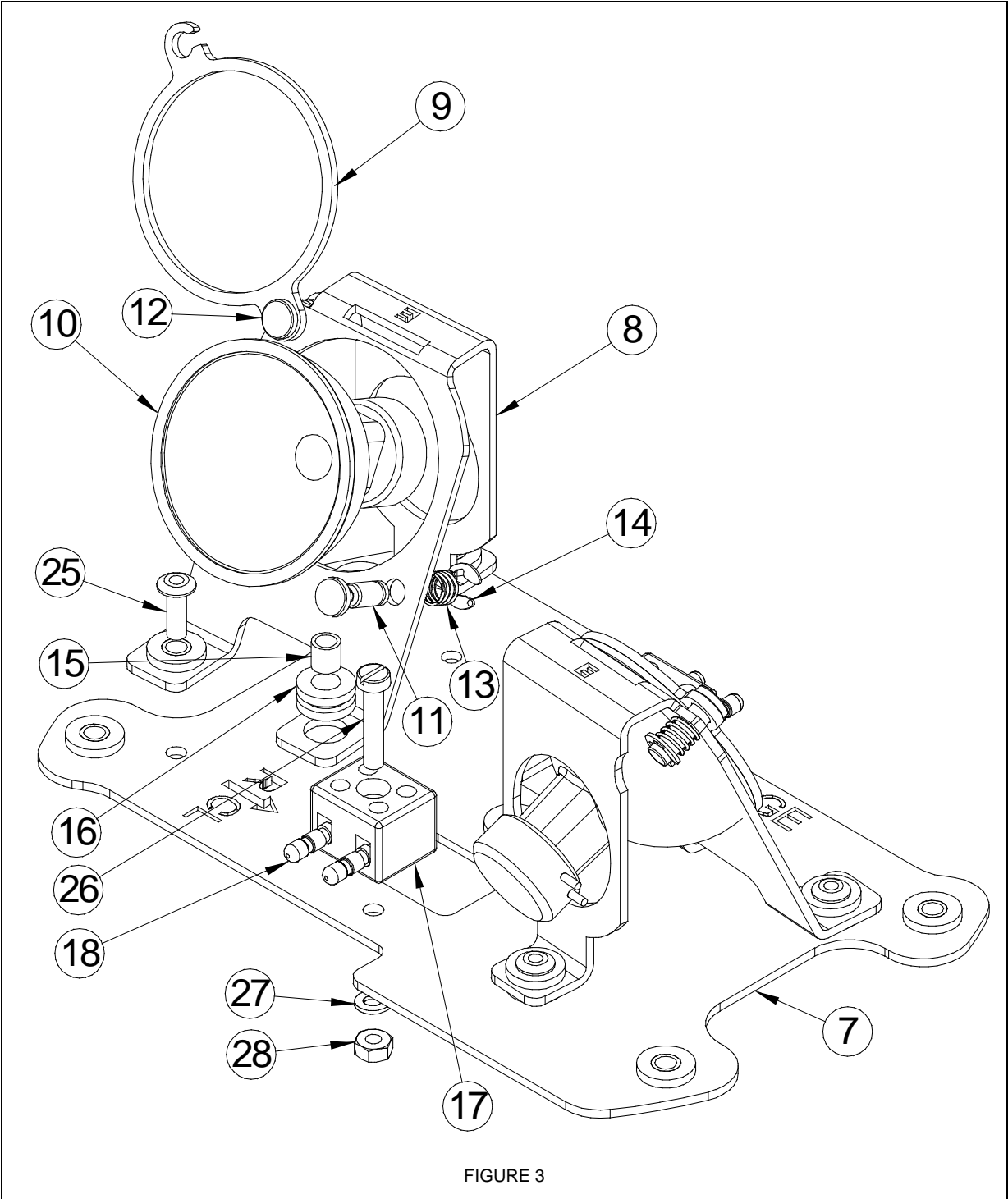


FIGURE 2

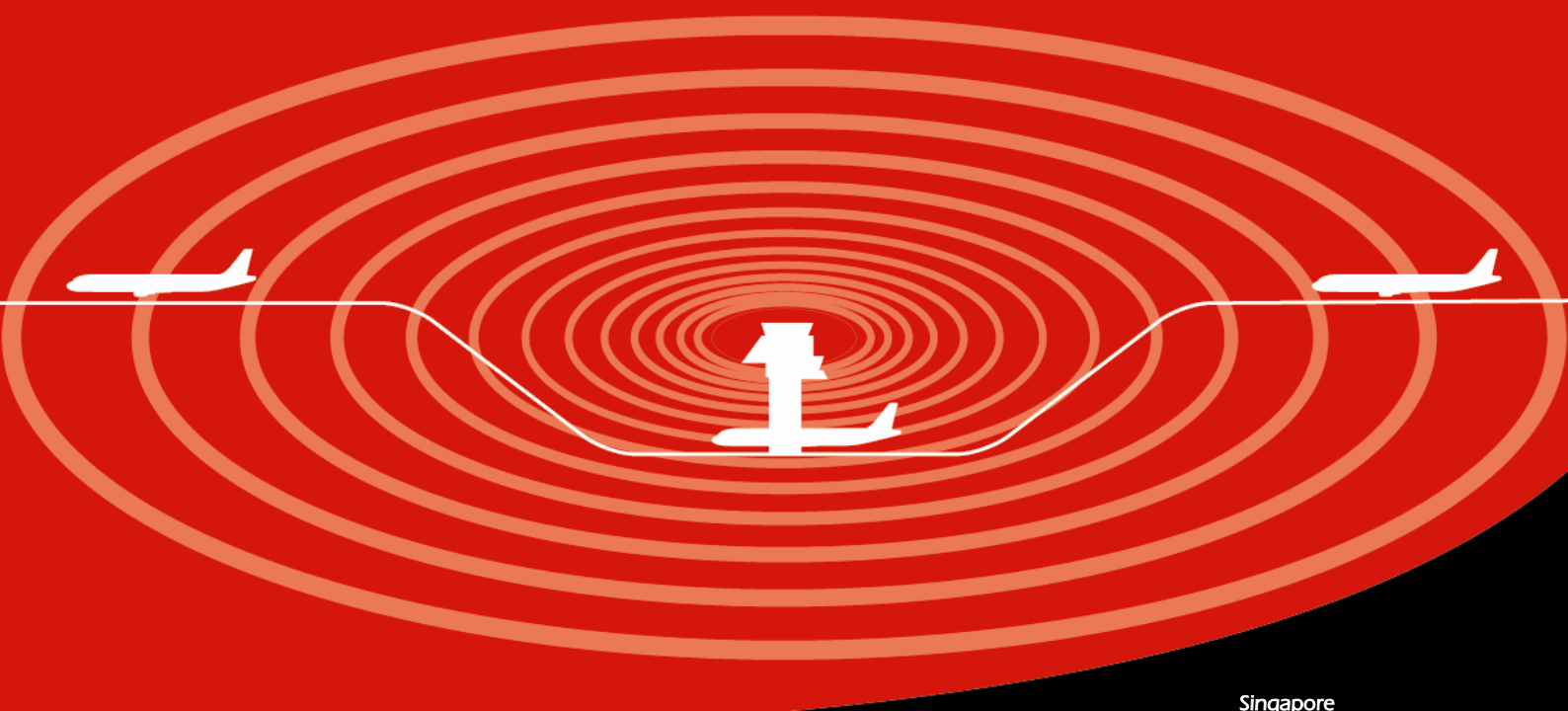


Check in to the future

How many aircraft can your airport handle today?
Can this number be increased without adverse effects on the airport's safety level?
It is a known fact that traffic volume will rise in the foreseeable future. More movements will demand monitoring of the entire airport. Requirements will be sharpened and the development of an integrated system

controlling not only ground movements but also air traffic close to the airport is of the highest interest.
The International Civil Aviation Organization (ICAO) already describes A-SMGCS, Advanced Surface Movement Guidance and Control System, as the answer to the future modern airport need to control the entire airport space in one superior system.

To a larger extent than today's systems, A-SMGCS will rely on automated processes to give both pilots and traffic controllers exact information about positions and directions. Safegate Group delivers complete A-SMGCS solutions already, as well as all vital parts relating to it. Safegate Group can check your airport into the future – today!



Safegate Group HQ
Djurhagegatan 19
SE-213 76 Malmö, Sweden
Phone: +46 (0)40 699 17 00
Fax: +46 (0)40 699 17 30
E-mail: market@safegate.com

Australia
australia@safegate.com
+61 (0)3 9720-3233

China
china@safegate.com
+8610-85275297

Dubai
dubai@safegate.com
+971 4 332 30 07

Finland
finland@safegate.com
+358 (0)20754 7700

France
france@safegate.com
+33 (0)1 49 53 62 62

Germany
germany@safegate.com
+49 (0)231 9776754

India
india@safegate.com

Qatar
qatar@safegate.com
+974 436 9628

Russia
russia@safegate.com
+7 495 917 4614

Singapore
singapore@safegate.com
+65 6289 6893

Spain
spain@safegate.com
+34 917 157 598

UK
uk@safegate.com
+44 (0)20 8594 2747

USA
usa@safegate.com
+1 763 535 92 99

THORN **IDMAN**
Airfield Lighting

SAFEGATE
GROUP 

Safegate Group offers solutions for increased safety, efficiency and environmental benefits to airports around the world. The company was founded in 1973 and has its headquarters in Malmö, Sweden. Safegate Group has over 70 partners around the globe in order to be close to its customers. The latest members of Safegate Group, Thorn AFL and Idman, have both over 40 years of experience in airfield lighting solutions for airports and heliports worldwide. Safegate Group's complete range of products and services, a "one-stop shop", provides solutions to customers and airborne travellers around the globe.

For more contact information and details:
www.safegate.com