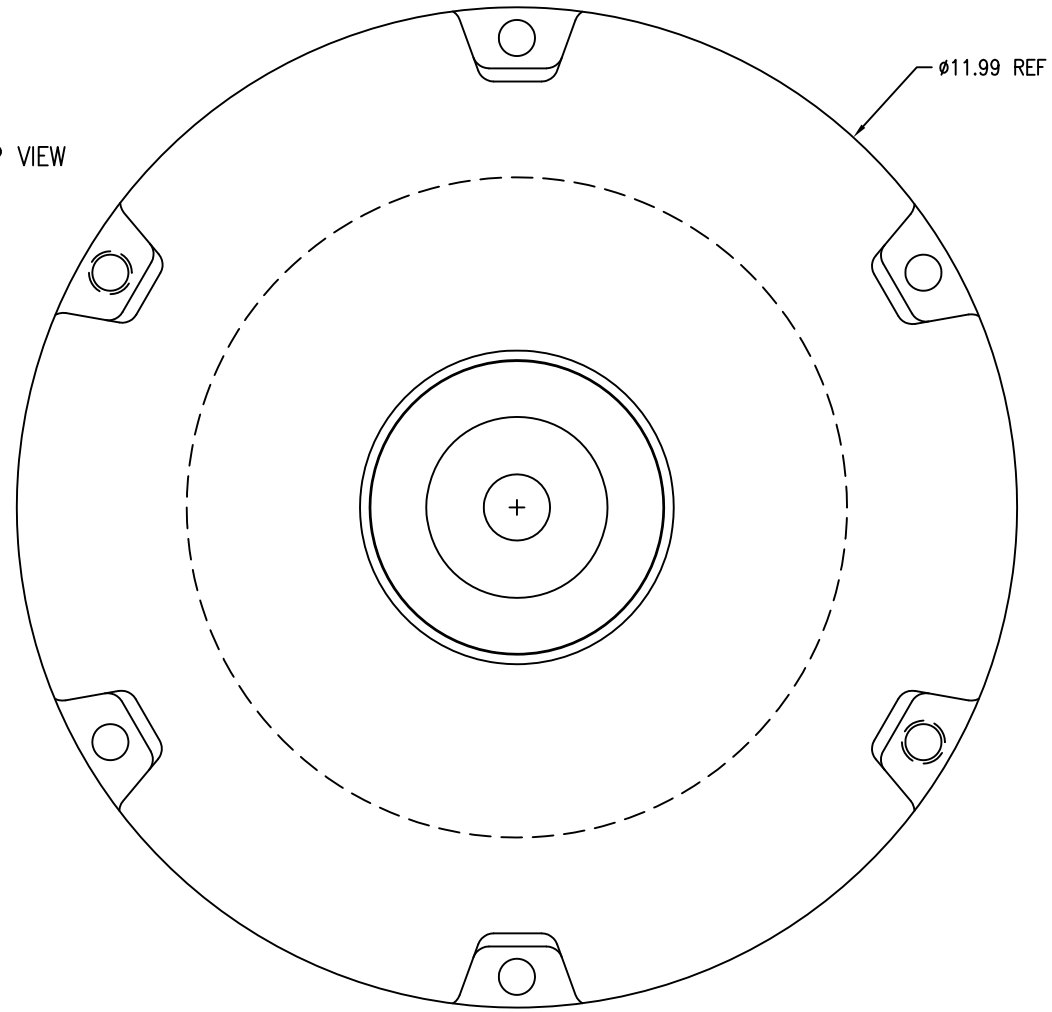
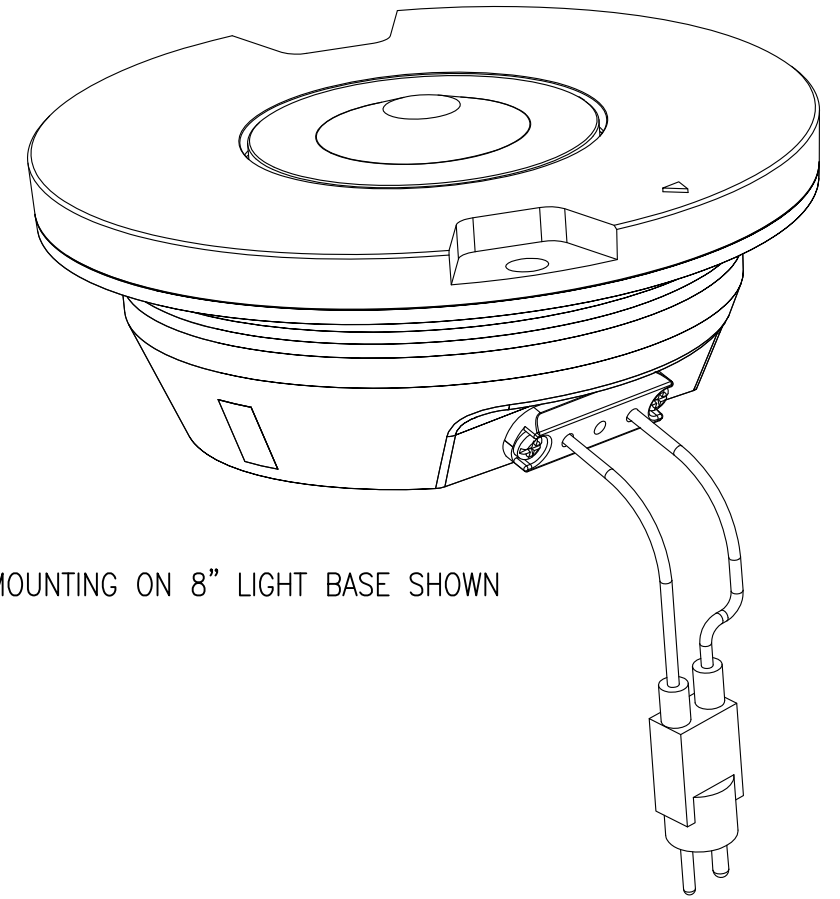


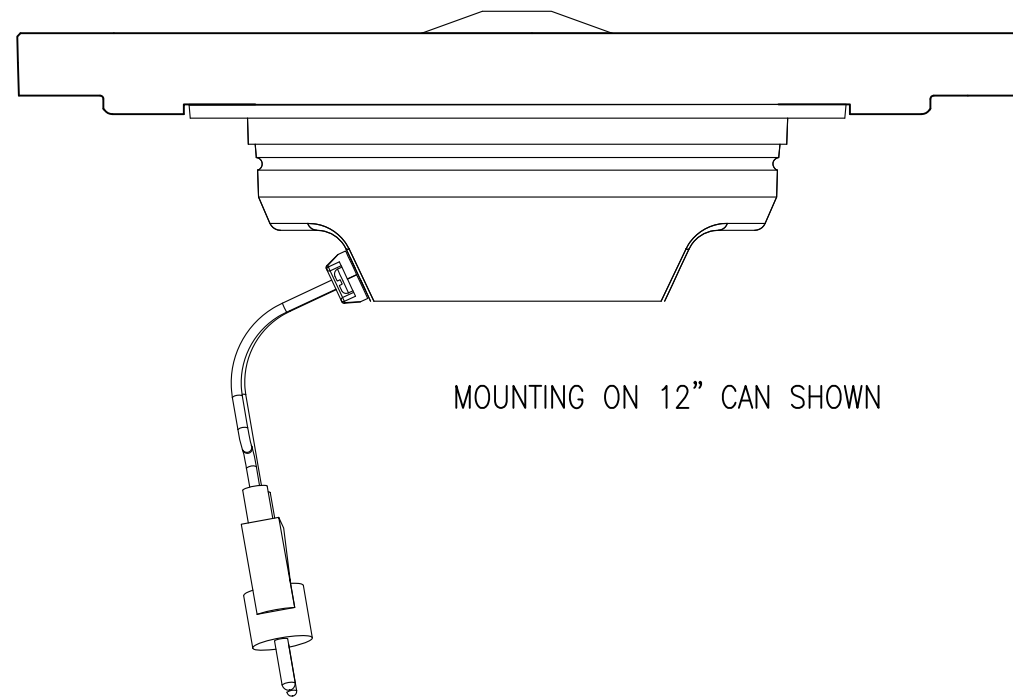
TOP VIEW



Ø11.99 REF

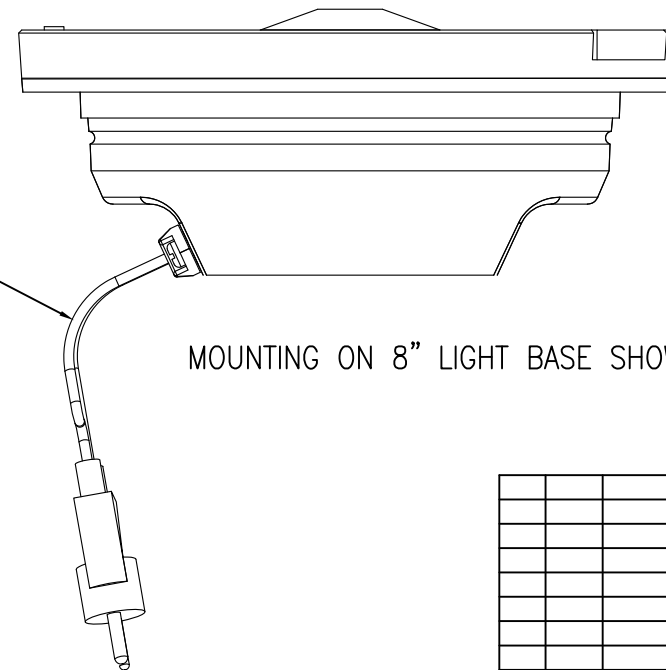


ISOMETRIC – MOUNTING ON 8” LIGHT BASE SHOWN



MOUNTING ON 12” CAN SHOWN

CORDSET 6 IN NOM



MOUNTING ON 8” LIGHT BASE SHOWN

				<b>CONTROLLED COPY</b>	
				Unauthorized duplication of this document in whole or part is prohibited. Initialed in RED ink below indicates authorized copy.	
				APPROVED BY:	DATE:
				<b>ADB</b>	
				ADB Airfield Solutions 977 Gahanna Parkway, Columbus, Ohio 43230 Telephone: 614-861-1304, Fax: 614-864-2069	
				DRAWING TITLE: APPLICATION DRAWING INPAVEMENT UTILITY LIGHT (IUL)	
B	3228	CHG LOGO	JLC	14APR11	
A	---	PRODUCTION RELEASE	DLR	21AUG07	
REV LEVEL	ECO NUMBER	REVISION DESCRIPTION	DRAWN BY	REV DATE	
ASSOCIATED DRAWINGS:		DRAWN BY:	DRAWN DATE:		
		DLR	30AUG07		
Information contained on this drawing is to be used expressly in accord with purpose for which it was submitted. Any disclosure of this information is strictly prohibited except as ADB Airfield Solutions, Inc. may otherwise agree in writing. Copyright © 2000 ADB Airfield Solutions, Inc.					
				SCALE: N/A	SHEET NUMBER: 1 OF 1
				DRAWING NUMBER:	REV.
				117A0041	B