

Airfield Lighting

Spare Part List

Bidirectional Medium-/High-Intensity Elevated Light
(EL-EAH)

- Runway Edge
- Runway Threshold
- Runway End
- Stopway



Note: *This page is blank for convenient double-sided printing.*

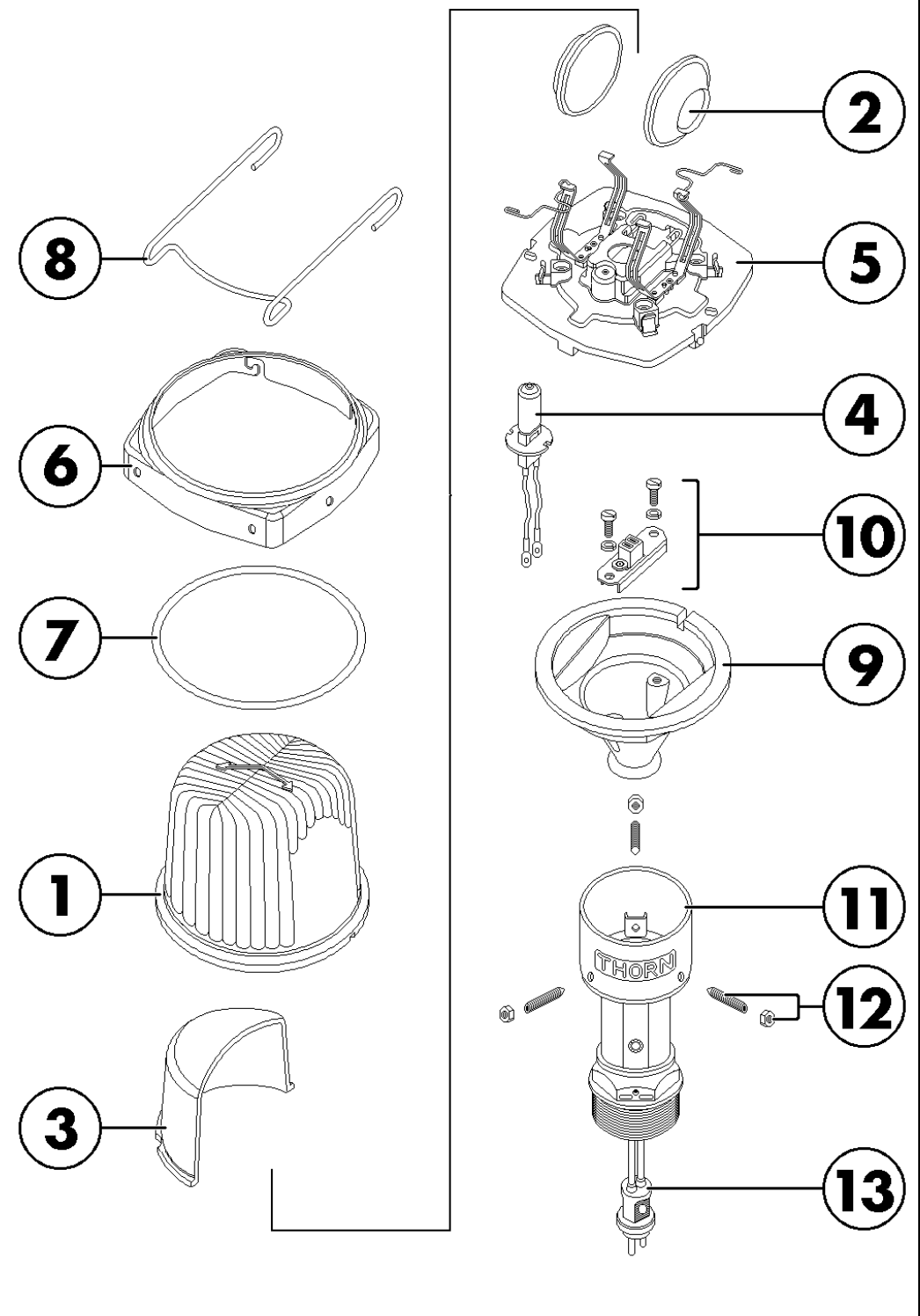
SPARE PART LIST
BIDIRECTIONAL MEDIUM-/HIGH-INTENSITY ELEVATED LIGHT
(EL-EAH)

The following is a list of spare parts and a view on the next page for EL-EAH fittings.

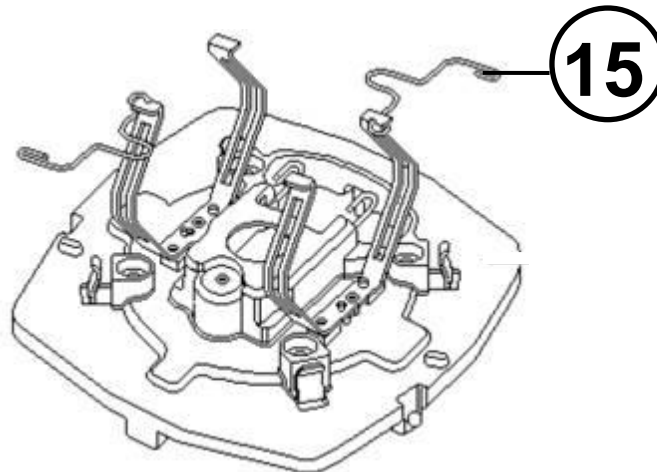
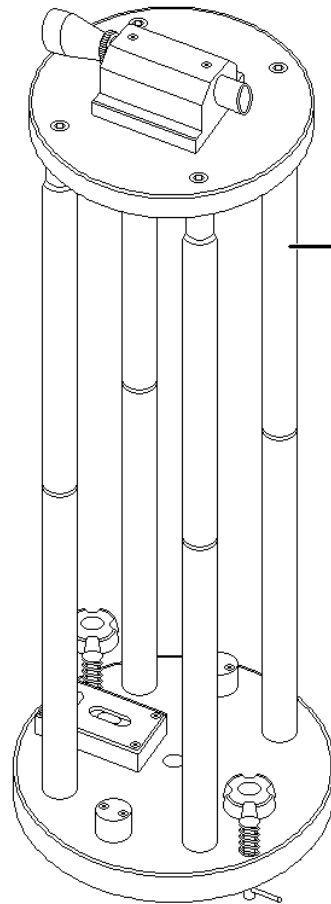
Note: Contact Safegate Group for assistance with ordering spare parts.

Item	Description	Quantity per		New Code	Old code
		fitting	code		
1	Glass dome	1	1	12815	96216760
2	Lens	2	1	12816	96216761
3	180° filter - Green - Red - Blue - Yellow - Blank	1 or 2	1	12117 12468 12469 12467 12817	96213500 96213502 96213503 96213501 96216762
4	PK30d lamp 200W 6.6A PK30d lamp 150W 6.6A PK30d lamp 100W 6.6A	1	1	11990 11989 11988	96200912 96200949 96200913
5	Complete Fixing plate	1	1	12418	96102488
6/7	Circle fixture for dome with o-ring gasket	1	1	12504	96215571
8	Closing spring locking the optical head on the mounting	1	1	12818	96216763
9/10	Body with cable terminal	1	1	12820	96216765
10	Cable terminal	1	1	12729	96216662
11/12	Frangible stand with setting screws and nuts - 2" NSP thread - 2" BPS thread	1	1	12544 12545	96215686 96215687
12	Allen screws and nuts for light setting	3	3	13074	96217064
13	Two-pole cable with FAA secondary plug	1	1	12814	96216759
1/2/5/ 6/7/8	Complete optical head	1	1	13135	96217134
14	Setting tool for EL-EAH		1	13273	96219597
15	Lens clip	2	10	15390	-
	Day marking cone (option)		1	On request	On request
<p>Note: Component availability or design may be subject to change due to unforeseen circumstances. This document is subject to change or new information from Safegate Group, as and when available or if required, with reservation for error or price changes.</p> <p>* Contact Safegate Group for assistance with ordering spare parts.</p>					

EL-EAH view



EL-EAH view



Check in to the future

How many aircraft can your airport handle today?
Can this number be increased without adverse effects on the airport's safety level?
It is a known fact that traffic volume will rise in the foreseeable future. More movements will demand monitoring of the entire airport. Requirements will be sharpened and the development of an integrated system

controlling not only ground movements but also air traffic close to the airport is of the highest interest.
The International Civil Aviation Organization (ICAO) already describes A-SMGCS, Advanced Surface Movement Guidance and Control System, as the answer to the future modern airport need to control the entire airport space in one superior system.

To a larger extent than today's systems, A-SMGCS will rely on automated processes to give both pilots and traffic controllers exact information about positions and directions. Safegate Group delivers complete A-SMGCS solutions already, as well as all vital parts relating to it. Safegate Group can check your airport into the future – today!



Safegate Group HQ
Djurhagegatan 19
SE-213 76 Malmö, Sweden
Phone: +46 (0)40 699 17 00
Fax: +46 (0)40 699 17 30
E-mail: market@safegate.com

Australia
australia@safegate.com
+61 (0)3 9720-3233

Austria
office@avibit.com
+43 316 429961

Brazil
brazil@safegate.com
+55 11 2137 4405

China
china@safegate.com
+8610-85275297

Dubai
dubai@safegate.com
+971 4 452 75 75

Finland
finland@safegate.com
+358 (0)20754 7700

France
france@safegate.com
+33 (0)1 42 99 60 40

Germany
germany@safegate.com
+49 (0)4121 464 303

India
india@safegate.com
+91 11 4106 1545

Malaysia
malaysia@safegate.com
+60 32 011 3522

Qatar
qatar@safegate.com
+974 436 9628

Russia
russia@safegate.com
+7 495 917 4614

Singapore
singapore@safegate.com
+65 6289 6893

Spain
spain@safegate.com
+34 917 157 598

UK
uk@safegate.com
+44 (0)208 573 0384

USA
usa@safegate.com
+1 763 535 92 99

THORN
Airfield Lighting

IDMAN

avibit
AIR TRAFFIC SOLUTIONS

SAFEGATE
GROUP 

Safegate Group offers solutions for increased safety, efficiency and environmental benefits to airports worldwide. The company was founded in 1973 and has its headquarters in Malmö, Sweden. Safegate Group has more than 70 partners around the globe in order to be close to its customers. Earlier members of Safegate Group include Thorn AFL and Idman, who both have over 40 years of experience in airfield lighting solutions for airports and heliports. The latest member of Safegate Group is Avibit, a leading provider of next generation software applications and integration of efficient air traffic control systems. Safegate Group's complete range of products and services, a "one-stop shop", provides solutions to customers and airborne travellers around the globe.

www.safegate.com