

# Airfield Lighting

Spare Part List

## Sequential Flash Light System

- Flash Controller IDM 8200
- Elevated Flash Light Unit IDM 6291
- Inset Flash Light Unit IDM 2061
- Junction Box IDM 8205



**Note:** *This page is blank for convenient double-sided printing.*

## SPARE PART LIST

The following is a list of spare parts for Flash Control IDM 8200.

**Note:** Contact Safegate Group for assistance with ordering spare parts.

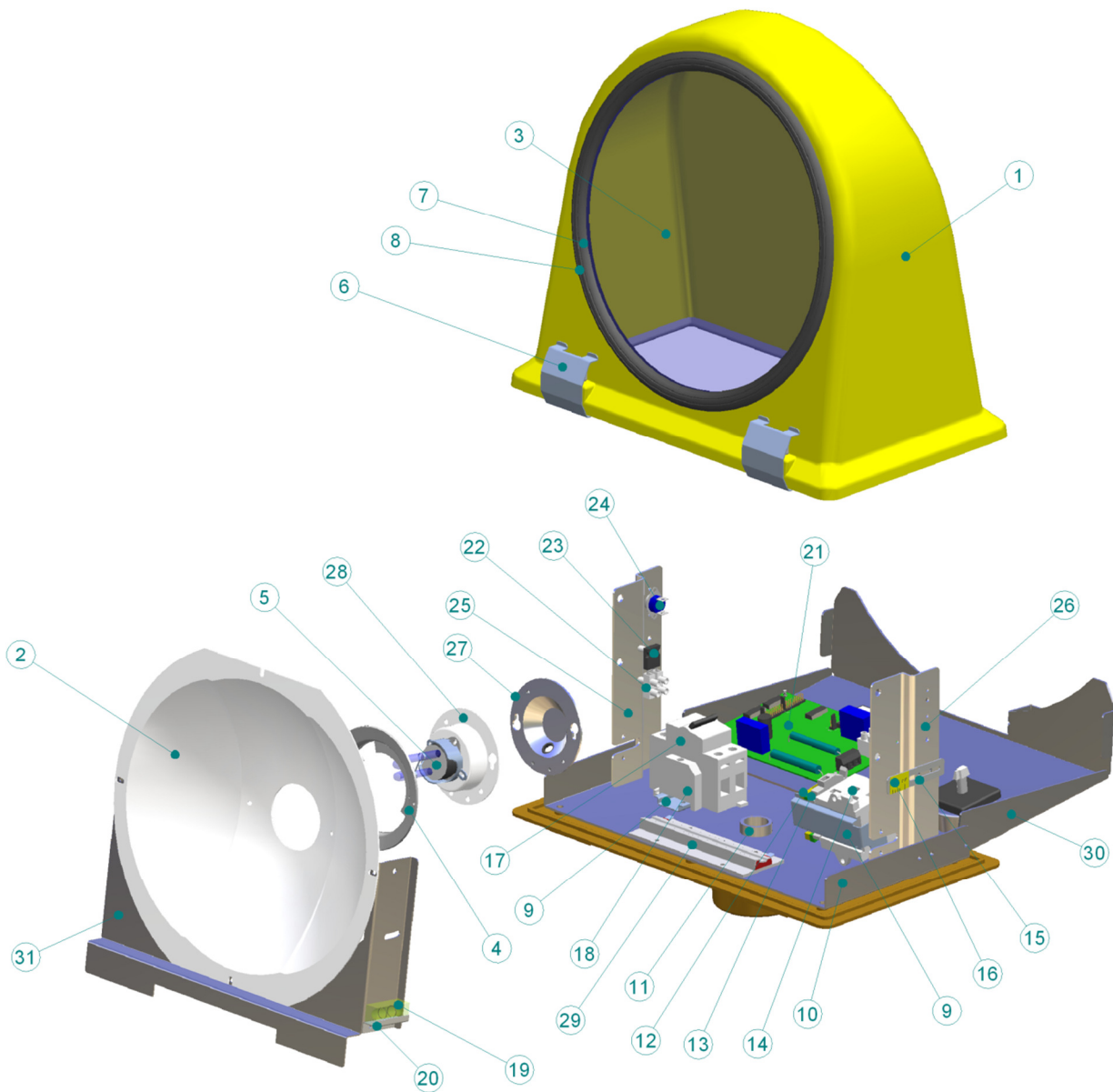
Description	No.	Quantity	Code	Note
IDM 8200 MCU-CARD SW X		1	15499	
IDM 8000 MOTHERBOARD		1	11478	
IDM 8000 POWER UNIT		1	11480	
IDM 8000 PARALLEL CONTROL		1	11479	
IDM 8000 LCD DISPLAY UNIT		1	11476	
IDM 8000 THYRISTOR CONTROLLER		1	11489	
IDM 8000-T2 U1 VOLTAGE TRAFO		1	11522	
IDM 8000 SA, INPUT 3-30kVA CCR		1	11481	

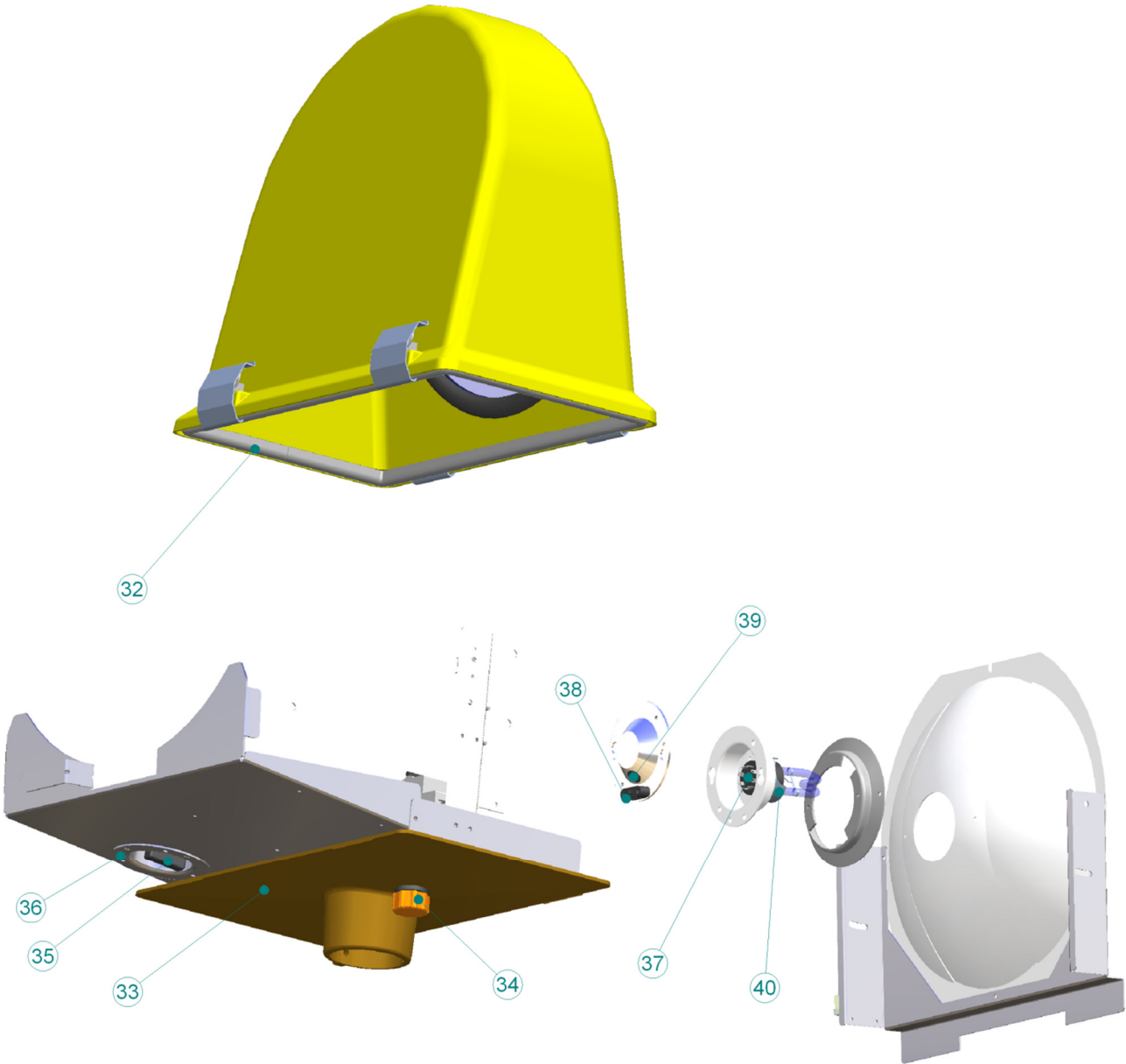
The following is a list of spare parts for Junction box IDM 8205.

Description	No.	Quantity	Code	Note
Circuit breaker 6kA 2-pole C 1		1	10088	
Circuit breaker 6kA 2-pole C 2		1	10089	
IDM8205 ASSEMBLY LEGS/ PAIR		1	11543	
Residual Current Device (RCD)		1	17076	

The following is a list of spare parts for Elevated Flash Light Unit IDM 6291/6290.

Description	No.	Quantity	Code	Note
IDM 6290/6291 Housing kit	1, 3, 6, 7, 8, 32	1	18509	
Automatic fuse	17	1	10089	
Trigger card IDM 6291 400V	21	1	11210	
Trigger card IDM 6290 220V			11153	
6291 REFLECTOR, ASSEMBLED	2,4	1	11204	
6290 REFLECTOR ASSEMBLY	2,4	1	11181	
6291 Lamp	5	1	11701	
6290 Lamp	5	1	11700	
6291 LAMP HOLDER CUP	27, 28, 38, 39 + wiring set	1	18764	
6290 LAMP HOLDER CUP	27, 28, 38, 39 + wiring set	1	16153	
IDM 6290/6291 Electronic kit	14, 23, 24, 29, 35	1	19213	
6291 OPTICAL ASSEMBLY	2, 4, 19, 20, 31	1	11206	
IDM 6290 REFLECTOR ASSEMBLY	2, 4, 19, 20, 31	1	11180	
Front glass	3	1	11177	
Complete fixture IDM 6291		1	11202	



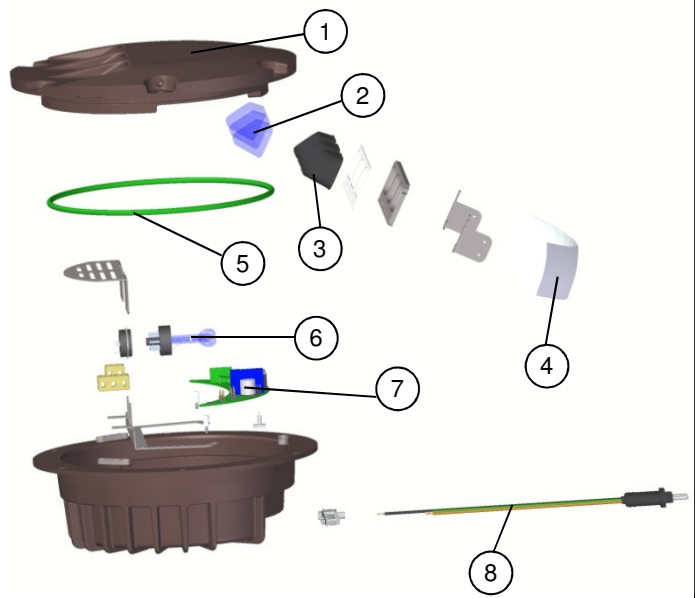


### INSET FLASH LIGHT UNIT IDM 2061 SPARE PART LIST

The following is a list of spare parts for Inset Flash Light Unit IDM 2061.

**Note:** Contact Safegate Group for assistance with ordering spare parts.

Description		Quantity per		Order code
		fitting	code	
1	Top Cover	1	1	15562
2	Prism	3	1	10231
3	Prism gasket	3	1	10229
4	Reflector	1	1	17083
5	Sealing	1	1	10227
6	Xenon Bulb	1	1	11701
7	Trigger PCB	1	1	17091
8	Power Cord Male	1	1	17078
9	Power Cord Receptacle	1	1	17151
	Complete fixture IDM 2061	1	1	17072



**Note:** *This page is blank for convenient double-sided printing.*

# Check in to the future

How many aircraft can your airport handle today? Can this number be increased without adverse effects on the airport's safety level? It is a known fact that traffic volume will rise in the foreseeable future. More movements will demand monitoring of the entire airport. Requirements will be sharpened and the development of an integrated system

controlling not only ground movements but also air traffic close to the airport is of the highest interest. The International Civil Aviation Organization (ICAO) already describes A-SMGCS, Advanced Surface Movement Guidance and Control System, as the answer to the future modern airport need to control the entire airport space in one superior system.

To a larger extent than today's systems, A-SMGCS will rely on automated processes to give both pilots and traffic controllers exact information about positions and directions. Safegate Group delivers complete A-SMGCS solutions already, as well as all vital parts relating to it. Safegate Group can check your airport into the future – today!



**Safegate Group HQ**  
Djurhagegatan 19  
SE-213 76 Malmö, Sweden  
Phone: +46 (0)40 699 17 00  
Fax: +46 (0)40 699 17 30  
E-mail: market@safegate.com

**Australia**  
australia@safegate.com  
+61 (0)3 9720-3233

**Brazil**  
brazil@safegate.com  
+55 11 2137 4405

**China**  
china@safegate.com  
+86 10-85275297

**Dubai**  
dubai@safegate.com  
+971 4 452 75 75

**Finland**  
finland@safegate.com  
+358 (0)20754 7700

**France**  
france@safegate.com  
+33 (0)1 42 99 60 40

**Germany**  
germany@safegate.com  
+49 (0)4121 464 303

**India**  
india@safegate.com  
+91 11 4106 1545

**Malaysia**  
malaysia@safegate.com  
+60 16 551 7126

**Oatar**  
qatar@safegate.com  
+974 436 9628

**Russia**  
russia@safegate.com  
+7 495 917 4614

**Singapore**  
singapore@safegate.com  
+65 6289 6893

**Spain**  
spain@safegate.com  
+34 917 157 598

**UK**  
uk@safegate.com  
+44 (0)208 573 0384

**USA**  
usa@safegate.com  
+1 763 535 92 99



Safegate Group offers solutions for increased safety, efficiency and environmental benefits to airports around the world. The company was founded in 1973 and has its headquarters in Malmö, Sweden. Safegate Group has over 70 partners around the globe in order to be close to its customers. The latest members of Safegate Group, Thorn AFL and Idman, have both over 40 years of experience in airfield lighting solutions for airports and heliports worldwide. Safegate Group's complete range of products and services, a "one-stop shop", provides solutions to customers and airborne travellers around the globe.

For more contact information and details:  
[www.safegate.com](http://www.safegate.com)