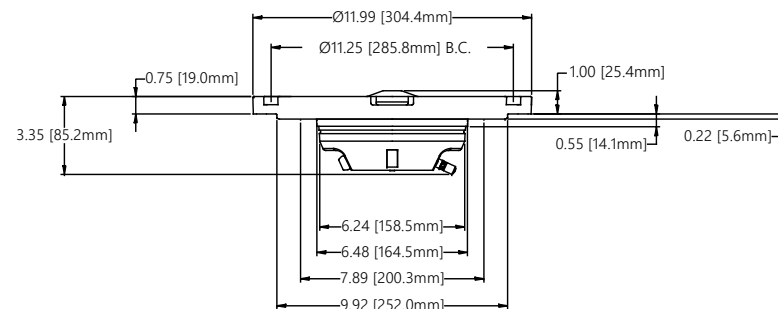


**LIGHT DETAIL NOTES:**

1. LIGHT BASES SHALL BE INSTALLED WITH CARE TO ASSURE VERTICAL & AZIMUTH ALIGNMENT OF FIXTURE. SEE PAVEMENT OR CAN DETAIL FOR CONCRETE REQUIREMENTS.
2. PROVIDE 2'-3" CABLE SLACK WITHIN LIGHT BASE TO ALLOW TRANSFORMER SERVICING.
3. REFER TO FAA ENGINEERING BRIEF 83 (LATEST REVISION) FOR RECOMMENDED INSTALLATION REQUIREMENTS INCLUDING BOLT, WASHER, AND TORQUE GUIDANCE.
4. AS REQUIRED TO MAINTAIN +0 / -1/16" BELOW GRADE FAA INSTALLATION TOLERANCE. A MAXIMUM OF THREE SPACER RINGS MAY BE STACKED TOGETHER, INCLUDING FLANGE RING.
5. ADB SAFEGATE L-852T LED PART # (ITEL/XXXX) OR EQUAL, STYLE 3 LOW PROFILE.

**1 PIECE L868B BASE INSTALLATION**



**REFERENCE DIMENSIONS**

**CAUTION:**  
THIS DRAWING IS ONLY INTENDED FOR USE AS GENERAL AIRFIELD SYSTEM DESIGN GUIDANCE. THE DESIGNER MUST VERIFY DESIGN WITH LOCAL CODES AND VARYING CHARACTERISTICS FOR EACH UNIQUE AIRFIELD APPLICATION.

CONTROLLED COPY			
Unauthorized duplication of this document in whole or part is prohibited. Initialed in RED ink below indicates authorized copy.			
INITIAL & DATE: _____			
<b>ADB SAFEGATE</b>			
P.O. Box 30829		Tel: (614) 861-1304	
977 Gahanna Parkway		Fax: (614) 864-2069	
Columbus, OH 43230			
DRAWING TITLE: SEMIFLUSH OMNI-DIRECTIONAL TAXIWAY EDGE LIGHT L-852T MOUNTED ON L-868B BASE CAN			
REV	ECO	REVISION DESCRIPTION	DRAWN BY / REV DATE
LEVEL	NUMBER		
			22NOV04
ASSOCIATED DRAWINGS:		DRAWN BY:	DRAWN DATE:
		DLR	
Information contained on this drawing is to be used expressly in accord with purpose for which it was submitted. Any disclosure of this information is strictly prohibited except as ADB SAFEGATE may otherwise agree in writing. Copyright © 2010 ADB SAFEGATE.		SCALE:	SHEET NUMBER: 1 OF 1
		DRAWING NUMBER:	REV
		117A0018	G