



Airfield Lighting Spare Part List
8" Omnidirectional SafeLED Inset Light (SL-TE-I, SL-SG-I)

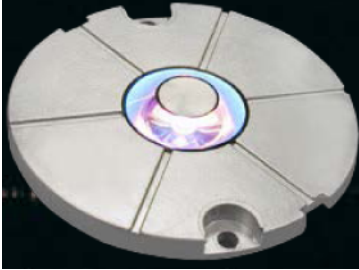
Service Bulletin

SP-0020, Rev. 0.5, 2019/09/24



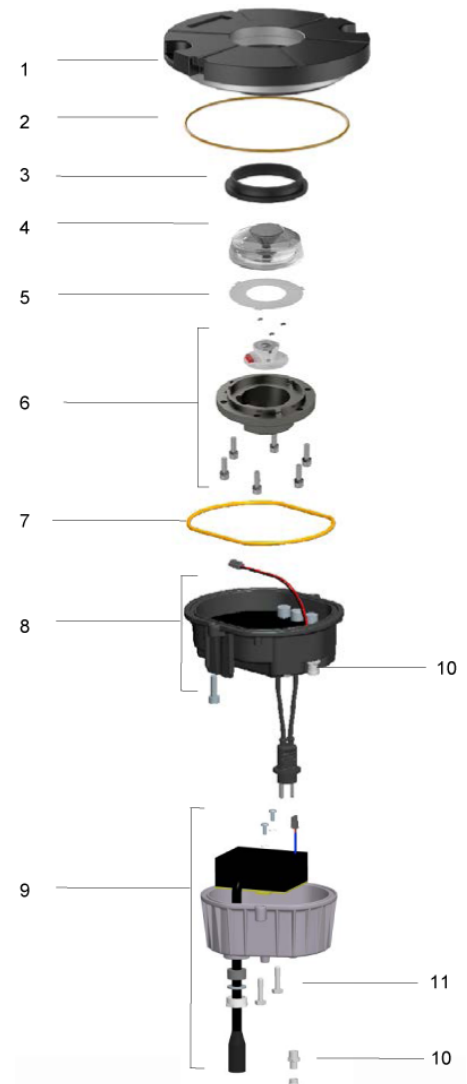
1.0 RELIANCE 8" omnidirectional inset light (SL-TE-I, SL-SG-I)

- Taxiway Edge
- Aircraft Stand Manoeuvring Guidance



2.0 Spare parts RELIANCE 8" omnidirectional inset light (SL-TE-I, SL-SG-I)

| Item | Description | Quantity | | Order code |
|------|--|----------|-----------|----------------------------|
| | | Fitting | Code | |
| 1 | Top cover | 1 | 1 | 14967 |
| 2 | O-ring gasket 8" base ¹ | 1 | 10 100 | SGE.SP24523 SGE.SP24526 |
| 3 | Prism gasket ² | 1 | 10 | 11563 |
| 4 | Omnidirectional prism | 1 | 1 | 12090 |
| 5 | Prism washer | 1 | 10 | 14802 |
| 6 | LED assembly TE-I LED assembly SG-I | 1 1 | 1 1 | 15372 15869 |
| 7 | Cover gasket ³ | 1 | 10 | 13088 |
| 8 | 6.6A converter assembly including bottom cover, 6.6A converter, cables, screws, valve, seals. | 1 | 1 | 15584 |
| 9 | VAC converter assembly including bottom cover, VAC converter (90-260VAC, 50-60Hz), cables, screws, valve, seals. | 1 | 1 | 15467 |
| 10 | Valve | 1 | 10 | 13091 |
| 11 | Cover screws VAC version | 2 | 20 | 13090 |



Note

1. The O-ring gasket must be changed each time the fitting is removed from the shallow base.
2. The prism gasket must be changed each time the prism is removed.
3. The O-ring gasket must be changed each time the fitting is opened.



Powering Your Airport Performance from Approach to Departure

adbsafegate.com

Copyright © ADB SAFEGATE, all rights reserved

