

# Airfield Lighting

## Spare Part List

8" Inset Lights - IDM 4671, IDM 4581, IDM 4582

- Touchdown Zone
- Runway Centre Line
- Taxiway Centre Line
- Rapid exit taxiway indicator lights (RETIL)
- Enhanced Rapid Exit Taxiway Centre Line



**Note:** *This page is blank for convenient double-sided printing.*

**SPARE PART LIST**  
**8" INSET LIGHTS**  
**IDM 4671, IDM 4581, IDM 4582**

This document includes a list of spare parts with exploded view examples.

**Note:** Contact Safegate Group for assistance with ordering spare parts.

Description (Top Cover)	No.	Quantity*	Including*	Drawing	Code
<b>Top Cover assembly for Uni-directional luminaires (IDM 4581, IDM 4671)</b>		1**			
Top Cover	1		1	O-51706	10502
Helicoil® Plus Screwlock M6x9 Stainless Steel	2		2	-	10159
<b>Top Cover assembly for Uni-directional luminaires with left Toe-in (IDM 4671)</b>		1**			
Top Cover	1		1	O-51821	10503
Helicoil® Plus Screwlock M6x9 Stainless Steel	2		2	-	10159
<b>Top Cover assembly for Uni-directional luminaires with right Toe-in (IDM 4671)</b>		1**			
Top Cover	1		1	O-51822	10504
Helicoil® Plus Screwlock M6x9 Stainless Steel	2		2	-	10159
<b>Top Cover assembly for Bi-directional luminaires (IDM 4582)</b>		1**			
Top Cover	1		1	O-51516	10518
Helicoil® Plus Screwlock M6x9 Stainless Steel	2		2	-	10159
<b>Prism Sealing</b>	3	½ or 1		O-51518	10515
<b>Prism for RCL &amp; TDZ (N)</b>	4	1 or 2 **		O-51490	10517
<b>Prism for Enhanced Rapid Exit TCL (W)</b>	4	1**		O-51791	15354
<b>Prism Pad</b>	5	1		O-51673	10516
<b>Interference colour filter 47,5x26,5x1 mm, Red</b>	6	0 or 1**		O-51674	10510
<b>Interference colour filter 47,5x26,5x1 mm, Yellow</b>		0 or 1**		O-51674	10511
<b>Interference colour filter 47,5x26,5x1 mm, Green</b>		0 or 1**		O-51674	15353
<b>Prism Fastening Plate</b>	7	1		O-51519	10514
<b>Latch</b>		2			
Latch handle	8		1	K-51754	10729
Latch mounting piece	9		1	O-51591	10741
Spring Washer DIN 127 M6 A4 Stainless Steel	10	6		-	11946
Hex Screw DIN 933 M6x16 A4 Stainless Steel	11	8		-	11684
<b>O-ring 160,0x3,0 mm Silicon</b>	12	1		-	10198
<p><b>Note:</b> * Quantity indicates number of parts in light unit, including how many pieces are included in assembly sold as a spare part. ** Item is an alternative option for the light structure.</p> <p>For more information, see FIGURE 1.</p>					

Description (Inner Cover)	No.	Quantity*	Including*	Drawing	Code
<b>Inner Cover for 1-cable, without grounding</b>		1**			
Inner cover	13		1	O-51573	10728
Pin DIN 1475 4x24 A4 Stainless Steel	14		2	-	10730
<b>Inner Cover for 2-cables without grounding (IDM 4582 dual input)</b>	13	1**			
Inner cover			1	O-51698	10770
Pin DIN 1475 4x24 A4 Stainless Steel	14		2	-	10730
<b>Cable Gland</b>	15	2 or 4		-	10061
<b>O-ring 6,0x2,0 mm NBR70</b>	16	1		-	11815
<b>Valve</b>	17	1		-	10235
<b>Cable, KDC FAA style 6</b>	18	1 or 2		-	11628
<b>Connector</b>	19	1 or 2		-	11743
<b>Interconnect Wire</b>	20	0 or 1		-	11965
Screw DIN 7500C M4x16 self-tapping A4 Stainless Steel	21	1 or 2		-	10098
<b>Lamp holder assembly for 1x50 mm Reflector Lamp</b>		1**			
Lamp Holder, 2x50 mm Reflector Lamp	22		1	O-51575	10509
Lamp Fastener, D=50	23		1	O-51576	10732
Cotter Pin, Fixed Type	24		1	O-51681	10742
Spring	25		2	-	10092
Locking Ring DIN 6799-4 A2 Stainless Steel	26		2	-	10097
Cotter Pin, Locking Type	27		1	O-51614	10743
Inlet Softener	28		4	-	11567
<b>Lamp holder assembly for 2x50 mm Reflector Lamp</b>		1**			
Lamp Holder, 2x50 mm Reflector Lamp	22		1	O-51575	10509
Lamp Fastener, D=50	23		2	O-51576	10732
Cotter Pin, Fixed Type	24		2	O-51681	10742
Spring	25		4	-	10092
Locking Ring DIN 6799-4 A2 Stainless Steel	26		4	-	10097
Cotter Pin, Locking Type	27		2	O-51614	10743
Inlet Softener	28		4	-	11567
<b>Bushing Screw</b>	29	4		O-51782	15302
<b>Reflector Lamp, 50 mm, 48W, 4 mm round female connectors</b>	30	1 or 2		-	11882
<b>O-ring 145,64x3,53 mm Silicon</b>	31	1		-	11814
<p><b>Note:</b>  * Quantity indicates number of parts in light unit, including how many pieces are included in assembly sold as a spare part.  ** Item is an alternative option for the light structure.</p> <p>For more information, see FIGURE 2.</p>					

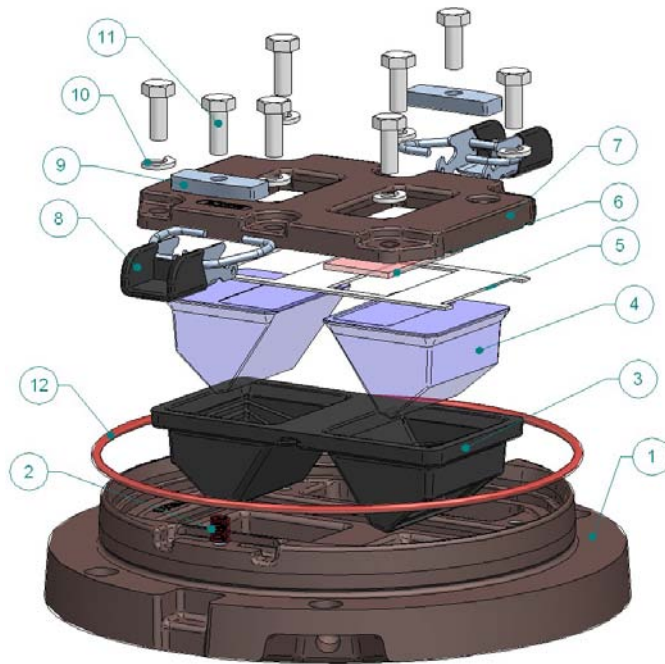


FIGURE 1 – TOP COVER EXPLODED VIEW

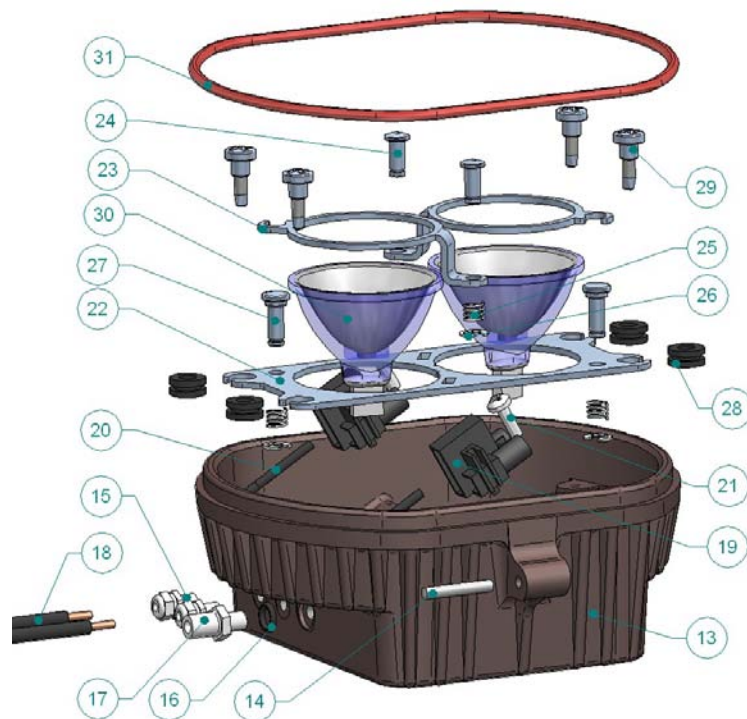


FIGURE 2 – INNER COVER VIEW

# Check in to the future

How many aircraft can your airport handle today?  
Can this number be increased without adverse effects on the airport's safety level?  
It is a known fact that traffic volume will rise in the foreseeable future. More movements will demand monitoring of the entire airport. Requirements will be sharpened and the development of an integrated system

controlling not only ground movements but also air traffic close to the airport is of the highest interest.  
The International Civil Aviation Organization (ICAO) already describes A-SMGCS, Advanced Surface Movement Guidance and Control System, as the answer to the future modern airport need to control the entire airport space in one superior system.

To a larger extent than today's systems, A-SMGCS will rely on automated processes to give both pilots and traffic controllers exact information about positions and directions. Safegate Group delivers complete A-SMGCS solutions already, as well as all vital parts relating to it. Safegate Group can check your airport into the future – today!



**Safegate Group HQ**  
Djurhagegatan 19  
SE-213 76 Malmö, Sweden  
Phone: +46 (0)40 699 17 00  
Fax: +46 (0)40 699 17 30  
E-mail: [market@safegate.com](mailto:market@safegate.com)

**Australia**  
[australia@safegate.com](mailto:australia@safegate.com)  
+61 (0)3 9720-3233

**China**  
[china@safegate.com](mailto:china@safegate.com)  
+8610-85275297

**Dubai**  
[dubai@safegate.com](mailto:dubai@safegate.com)  
+971 4 332 30 07

**Finland**  
[finland@safegate.com](mailto:finland@safegate.com)  
+358 (0)20754 7700

**France**  
[france@safegate.com](mailto:france@safegate.com)  
+33 (0)1 49 53 62 62

**Germany**  
[germany@safegate.com](mailto:germany@safegate.com)  
+49 (0)231 9776754

**India**  
[india@safegate.com](mailto:india@safegate.com)

**Qatar**  
[qatar@safegate.com](mailto:qatar@safegate.com)  
+974 436 9628

**Russia**  
[russia@safegate.com](mailto:russia@safegate.com)  
+7 495 917 4614

**Singapore**  
[singapore@safegate.com](mailto:singapore@safegate.com)  
+65 6289 6893

**Spain**  
[spain@safegate.com](mailto:spain@safegate.com)  
+34 917 157 598

**UK**  
[uk@safegate.com](mailto:uk@safegate.com)  
+44 (0)20 8594 2747

**USA**  
[usa@safegate.com](mailto:usa@safegate.com)  
+1 763 535 92 99

**THORN** **IDMAN**  
Airfield Lighting

**SAFEGATE**  
GROUP 

Safegate Group offers solutions for increased safety, efficiency and environmental benefits to airports around the world. The company was founded in 1973 and has its headquarters in Malmö, Sweden. Safegate Group has over 70 partners around the globe in order to be close to its customers. The latest members of Safegate Group, Thorn AFL and Idman, have both over 40 years of experience in airfield lighting solutions for airports and heliports worldwide. Safegate Group's complete range of products and services, a "one-stop shop", provides solutions to customers and airborne travellers around the globe.

For more contact information and details:  
[www.safegate.com](http://www.safegate.com)