

Airfield Lighting

Spare Part List

Omnidirectional Medium-/Low-Intensity Elevated Light
(EL-EAM)

- Taxiway Edge
- Apron Edge
- Runway Approach
- Runway Threshold
- Runway End
- Runway Edge



Note: *This page is blank for convenient double-sided printing.*

SPARE PART LIST
OMNIDIRECTIONAL MEDIUM-/LOW-INTENSITY ELEVATED LIGHT
(EL-EAM)

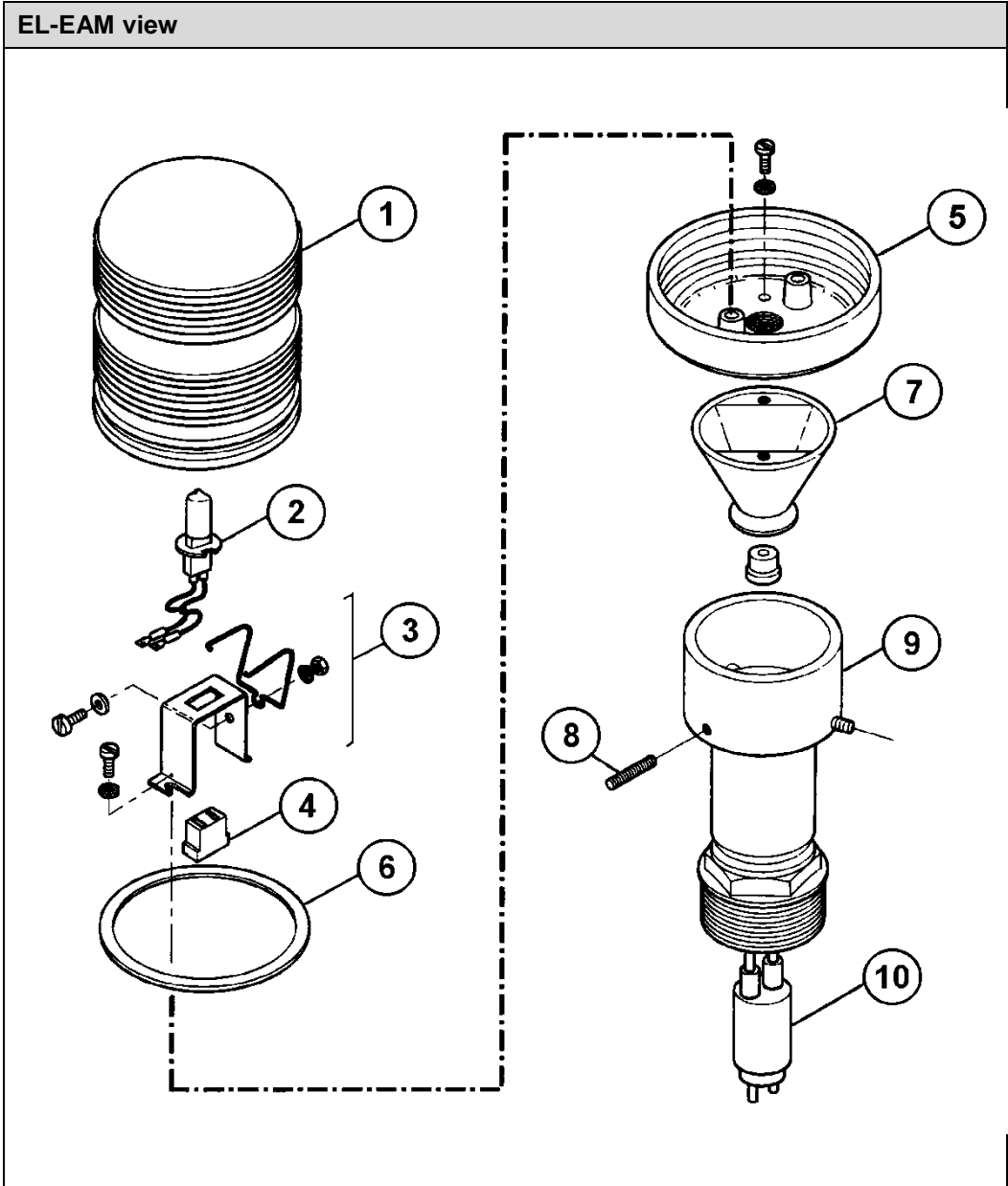
The following is a list of spare parts and a view on the next page for EL-EAM fittings.

Note: Contact Safegate Group for assistance with ordering spare parts.

Item	Description	Quantity per		New Code	Old code
		fitting	code		
1	Glass dome	1	1		
	White			12454	96213480
	Blue			12456	96213482
	Red			12459	96213485
	Green			12457	96213483
	Yellow			12458	96213484
	Green/Red			12496	96215556
2	Pk30D lamp 45W 6.6A	1	1	11991	96200914
3	Lamp holder	1	1	12665	96216592
4	Cable terminal	1	1	12667	96216594
5	Mounting with screws	1	1	12666	96216593
6	Gasket	1	1	12822	96216767
7	Body allowing levelling	1	1	12823	96216768
8	Allen screw + nut for light setting	3	3	13074	96217064
9	Frangible stand with setting screws	1	1		
	- 2" NSP Thread			12544	96215686
	- 2" BPS Thread			12545	96215687
	- 1.5" UNF Thread			On request	On request
10	Two-pole cable with FAA secondary plug	1	1	12814	96216759
	Setting tool for EL-EAM		1	12552	96215696

Note: Component availability or design may be subject to change due to unforeseen circumstances. This document is subject to change or new information from Safegate Group, as and when available or if required, with reservation for error or price changes.
* Contact Safegate Group for assistance with ordering spare parts.

EL-EAM view



Note: *This page is blank for convenient double-sided printing.*

Check in to the future

How many aircraft can your airport handle today?
Can this number be increased without adverse effects on the airport's safety level?
It is a known fact that traffic volume will rise in the foreseeable future. More movements will demand monitoring of the entire airport. Requirements will be sharpened and the development of an integrated system

controlling not only ground movements but also air traffic close to the airport is of the highest interest.
The International Civil Aviation Organization (ICAO) already describes A-SMGCS, Advanced Surface Movement Guidance and Control System, as the answer to the future modern airport need to control the entire airport space in one superior system.

To a larger extent than today's systems, A-SMGCS will rely on automated processes to give both pilots and traffic controllers exact information about positions and directions. Safegate Group delivers complete A-SMGCS solutions already, as well as all vital parts relating to it. Safegate Group can check your airport into the future – today!



Safegate Group HQ

Djurhagegatan 19
SE-213 76 Malmö, Sweden
Phone: +46 (0)40 699 17 00
Fax: +46 (0)40 699 17 30
E-mail: market@safegate.com

Australia

australia@safegate.com
+61 (0)3 9720-3233

Austria

office@avibit.com
+43 316 429961

Brazil

brazil@safegate.com
+55 11 2137 4405

China

china@safegate.com
+86 10-85275297

Dubai

dubai@safegate.com
+971 4 452 75 75

Finland

finland@safegate.com
+358 (0)20754 7700

France

france@safegate.com
+33 (0)1 42 99 60 40

Germany

germany@safegate.com
+49 (0)4121 464 303

India

india@safegate.com
+91 11 4106 1545

Malaysia

malaysia@safegate.com
+60 32 011 3522

Qatar

qatar@safegate.com
+974 436 9628

Russia

russia@safegate.com
+7 495 917 4614

Singapore

singapore@safegate.com
+65 6289 6893

Spain

spain@safegate.com
+34 917 157 598

UK

uk@safegate.com
+44 (0)208 573 0384

USA

usa@safegate.com
+1 763 535 92 99

SAFEGATE
GROUP 

Safegate Group offers solutions for increased safety, efficiency and environmental benefits to airports worldwide. The company was founded in 1973 and has its headquarters in Malmö, Sweden. Safegate Group has more than 70 partners around the globe in order to be close to its customers. Earlier members of Safegate Group include Thorn AFL and Idman, who both have over 40 years of experience in airfield lighting solutions for airports and heliports. The latest member of Safegate Group is Avibit, a leading provider of next generation software applications and integration of efficient air traffic control systems. Safegate Group's complete range of products and services, a "one-stop shop", provides solutions to customers and airborne travellers around the globe.

www.safegate.com