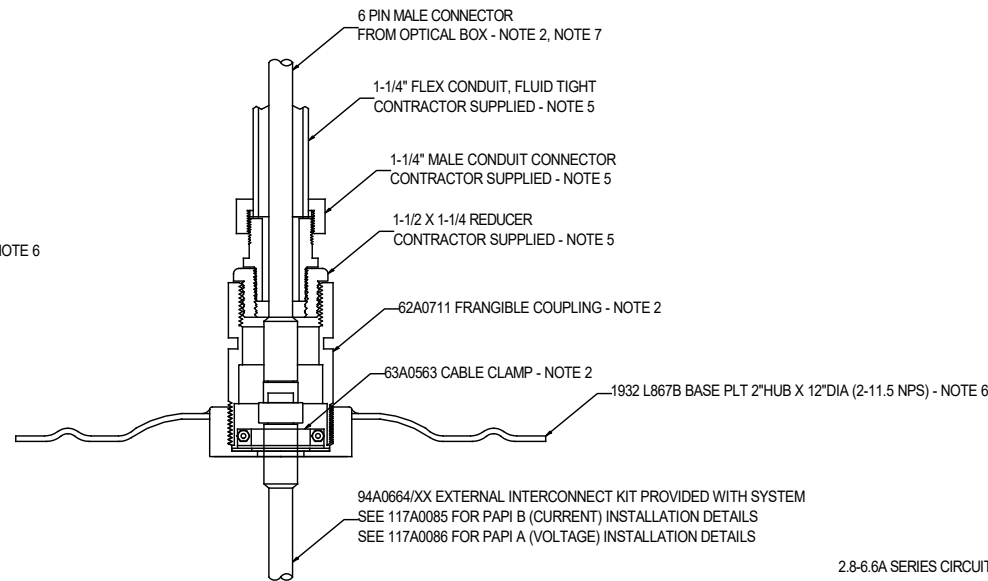
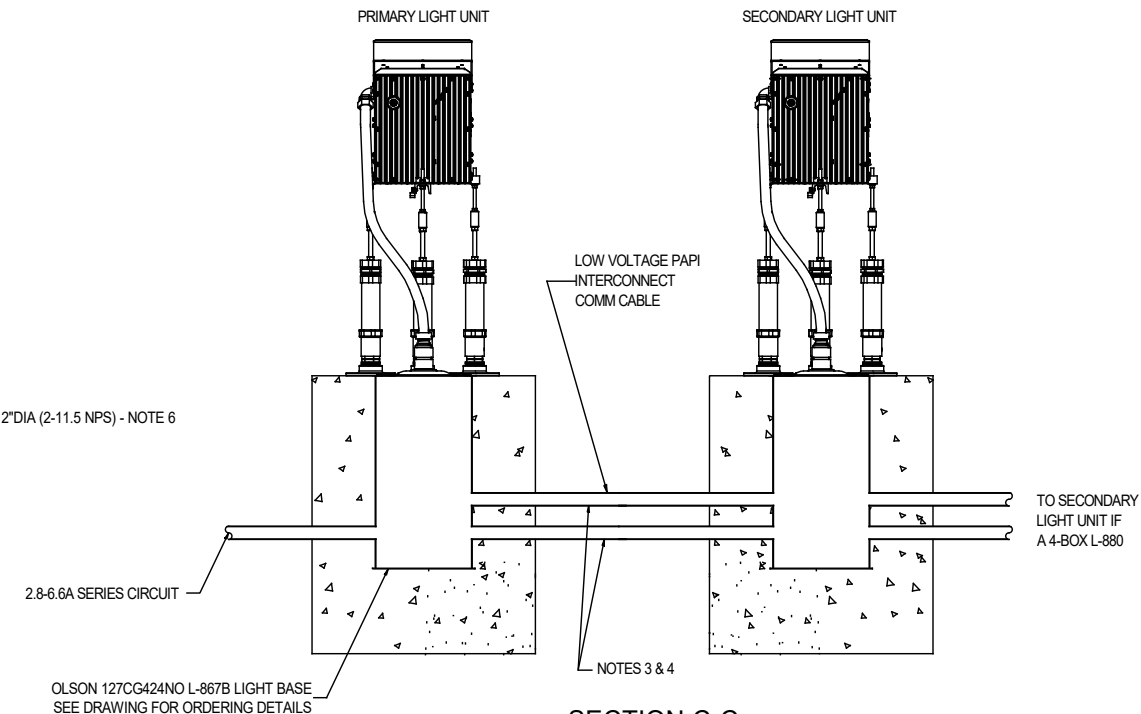


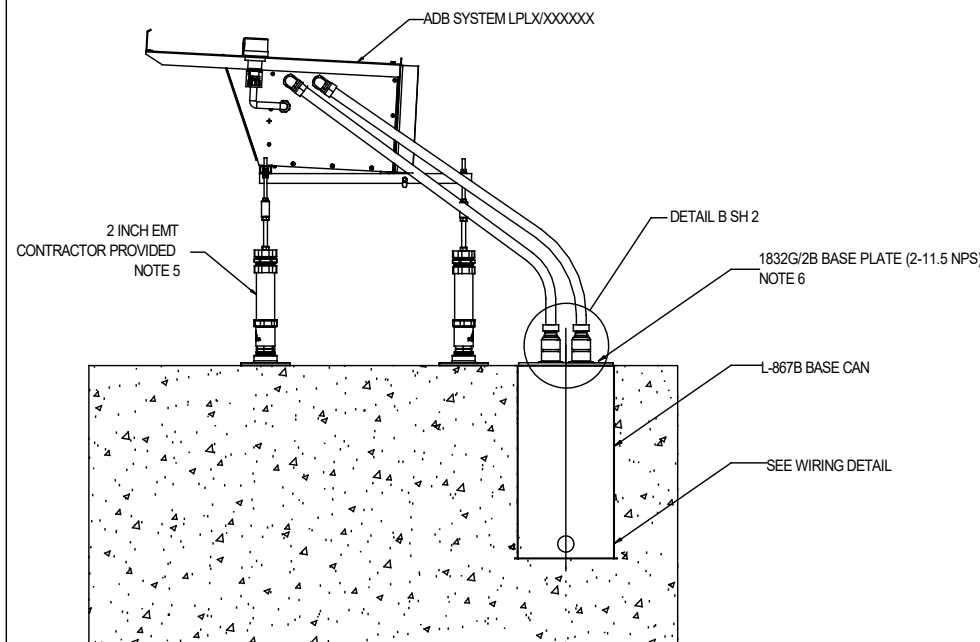
PAPI B TYPICAL OR PAPI A SECONDARY INSTALLATION



DETAIL A  
PAPI A SECONDARY OR  
PAPI B NON-REDUNDANT



SECTION C-C  
PAPI TYPE B 2 OR 4 BOX SYSTEM



PAPI A PRIMARY INSTALLATION (STYLE A POSITION 1)  
PAPI B REDUNDANT INSTALLATION (STYLE B ALL POSITIONS)

NOTES:

- 2 IN DIA EMT TUBING (2 3/16 OD) TO BE PROVIDED AND INSTALLED BY CONTRACTOR. LENGTH TO BE DETERMINED AT INSTALLATION TO ADJUST FOR UNEVEN TERRAIN AND TO MOUNT OPTICAL BOX AT CORRECT ELEVATION ABOVE THE RUNWAY. 2 IN EMT TUBE TO EXTEND 3 1/4" INTO FRANGIBLE COUPLING AND FULL INSERTION INTO COMPRESSION COUPLING TO ENSURE STABLE INSTALLATION. TUBE MUST BE PAINTED INTERNATIONAL ORANGE PER FED-STD-595, COLOR 12197 TO PROVIDE CORROSION PROTECTION.
- ITEMS PROVIDED WITH OPTICAL ENCLOSURE.
- FOR SERIES CIRCUIT (TYPE B) APPLICATIONS, HIGH VOLTAGE FIELD CABLES AND LOW VOLTAGE COMMUNICATION CABLES MUST HAVE SEPARATE CONDUIT RUNS. SEE 43A4151 FOR LED PAPI STYLE B EXTERNAL WIRING DIAGRAM.
- FOR VOLTAGE POWERED (TYPE A) APPLICATIONS, A SEPARATE HIGH VOLTAGE CONDUIT IS NOT REQUIRED.
- ITEMS SPECIFIED AS CONTRACTOR PROVIDED ARE AVAILABLE AS AN OPTIONAL 94A0716/XX KIT.  
94A0716/A2 LED PAPI STYLE A 2 BOX CONTRACTOR PROVIDED ITEMS  
94A0716/A4 LED PAPI STYLE A 4 BOX CONTRACTOR PROVIDED ITEMS  
94A0716/B2 LED PAPI STYLE B 2 BOX CONTRACTOR PROVIDED ITEMS  
94A0716/B4 LED PAPI STYLE B 4 BOX CONTRACTOR PROVIDED ITEMS

NOTES:

- 94A0716/XX CAN IS AN IDENTICAL KIT EXCEPT FOR LONGER CONDUIT LENGTH TO ACCOMMODATE THE LONGER CANADIAN POWER CORDS.
- 94A0716/BX/XX R ARE KITS TO ACCOMMODATE THE REDUNDANT PAPI B CONFIGURATIONS.
- BASE PLATES ARE AVAILABLE AS OPTIONAL SALES ORDER LINE ITEM. BOTH BASE PLATES ARE MACHINED 2-11.5 NPS TO MATCH THE THREADS OF THE PROVIDED 62A0711 FRANGIBLE COUPLING.
- THE STANDARD CORD LENGTH IS 8 FT LONG WITH 7 FT EXTENDING OUTSIDE THE ENCLOSURE. FOR THE CANADIAN MARKET, OPTIONAL (10 FT LONGER) CORDS ARE AVAILABLE AS:  
94A0690/A2 LED PAPI A 2 BOX CORD EXTENSION KIT  
94A0690/A4 LED PAPI A 4 BOX CORD EXTENSION KIT  
94A0690/B2 LED PAPI B 2 BOX CORD EXTENSION KIT  
94A0690/B4 LED PAPI B 4 BOX CORD EXTENSION KIT

NOTES:

- THE 94A0690/XX /X OPTIONAL CORD LENGTH KIT MUST BE ORDERED AS A SEPARATE LINE ITEM WHEN ORDERING THE LPLX/XXXXXX SYSTEM.
- 94A0690/BX/ R ARE KITS TO ACCOMMODATE THE REDUNDANT PAPI B CONFIGURATIONS.

REV F NOTES:

ADD SH 2 VIEW B SHOWING REDUNDANT L-823 ST 1 CORD

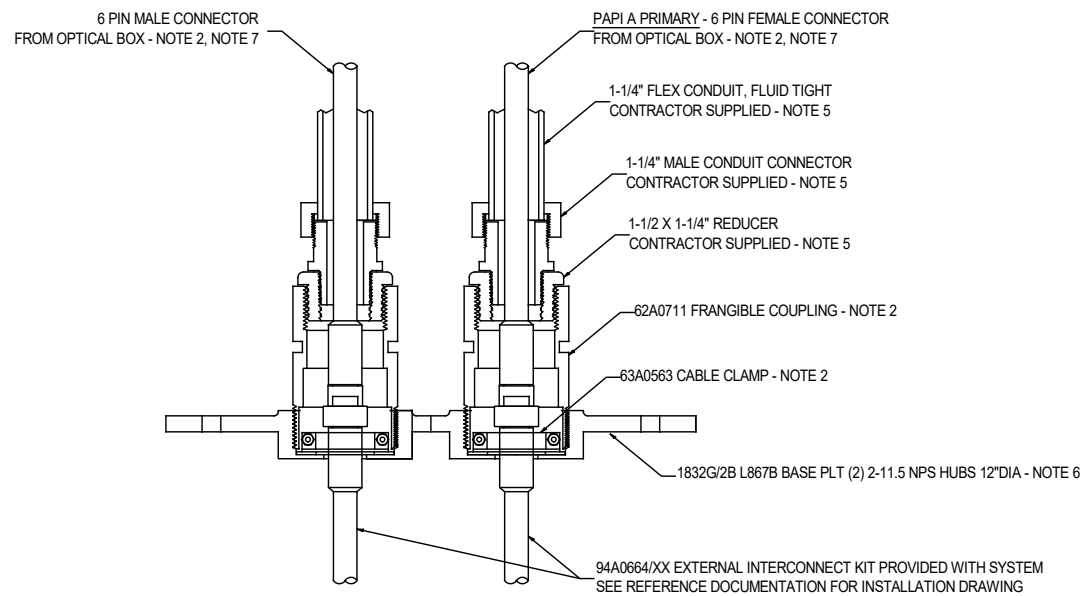
REV	LEVEL	ECO NUMBER	REVISION DESCRIPTION	DRAWN BY	REV DATE
F	INC-421	SEE REV F NOTES		DLR	15MAY20
E	4274	ADD PAPI B REDUNDANT DETAILS		DLR	31AUG17
D	4483	1-1/4" TRADE SIZE WAS 1"		JEG	02DEC15
C	4243	ADD OPTION FOR LONGER CORDS		DLR	25SEP14
B	---	PRODUCTION RELEASE		DLR	22JUL14
A	---	PRODUCTION RELEASE		DLR	10APR13

CONTROLLED COPY	
Unauthorized duplication of this document in whole or part is prohibited. Initialed in RED ink below indicates authorized copy.	
INITIAL & DATE:	
<b>ADB</b>	
ADB Airfield Solutions 977 Gahanna Parkway, Columbus, Ohio 43230 Telephone: 614-861-1304, Fax: 614-864-2069	
DRAWING TITLE: LED PAPI STYLE A & STYLE B TYPICAL SYSTEM INSTALLATION DETAILS L-880 / L-881	
DRAWING NUMBER: 117A0078	SHEET NUMBER: 1 of 4
REV:	F

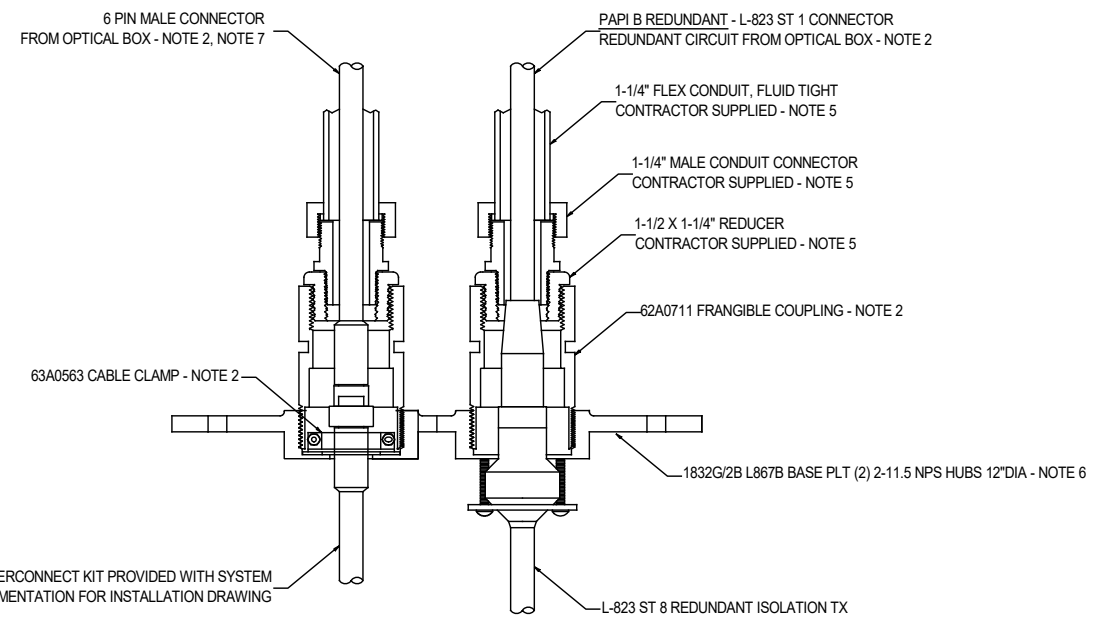
REFERENCE DOCUMENTATION:	
96A0446	LED PAPI MANUAL
117A0085	LED PAPI INSTALLATION OF FIELD CABLE - 2 BOX CURRENT
117A0086	LED PAPI INSTALLATION OF FIELD CABLE - 2 BOX VOLTAGE
117A0087	LED PAPI INSTALLATION OF FIELD CABLE - 4 BOX VOLTAGE
117A0088	LED PAPI INSTALLATION OF FIELD CABLE - 4 BOX CURRENT

All information contained herein, including illustrations, specifications, and dimensions, is believed to be reliable as of the date of this publication, but is subject to change without notice. ADB reserves the right to make changes and improvements to its products and assumes no responsibility for these modifications. Any disclosure of this information is strictly prohibited except as ADB Airfield Solutions, Inc. may otherwise agree to in writing. Copyright © 2012 ADB Airfield Solutions, Inc.

CAUTION:  
THIS DRAWING IS ONLY INTENDED FOR USE AS GENERAL AIRFIELD SYSTEM DESIGN GUIDANCE.  
THE DESIGNER MUST VERIFY DESIGN WITH LOCAL CODES AND VARYING CHARACTERISTICS FOR EACH UNIQUE AIRFIELD APPLICATION.

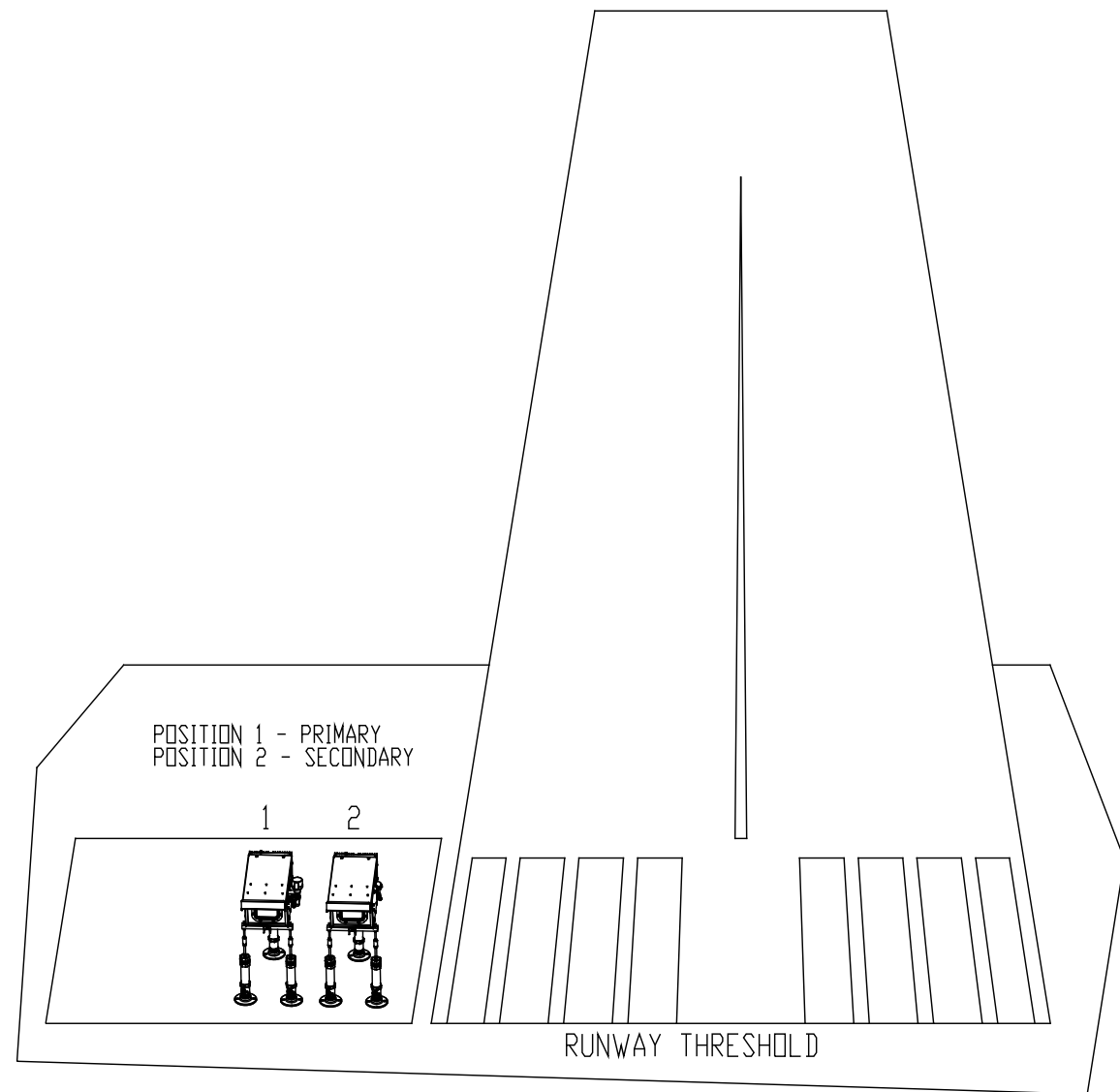


DETAIL B  
PAPI A PRIMARY



DETAIL B  
PAPI B REDUNDANT

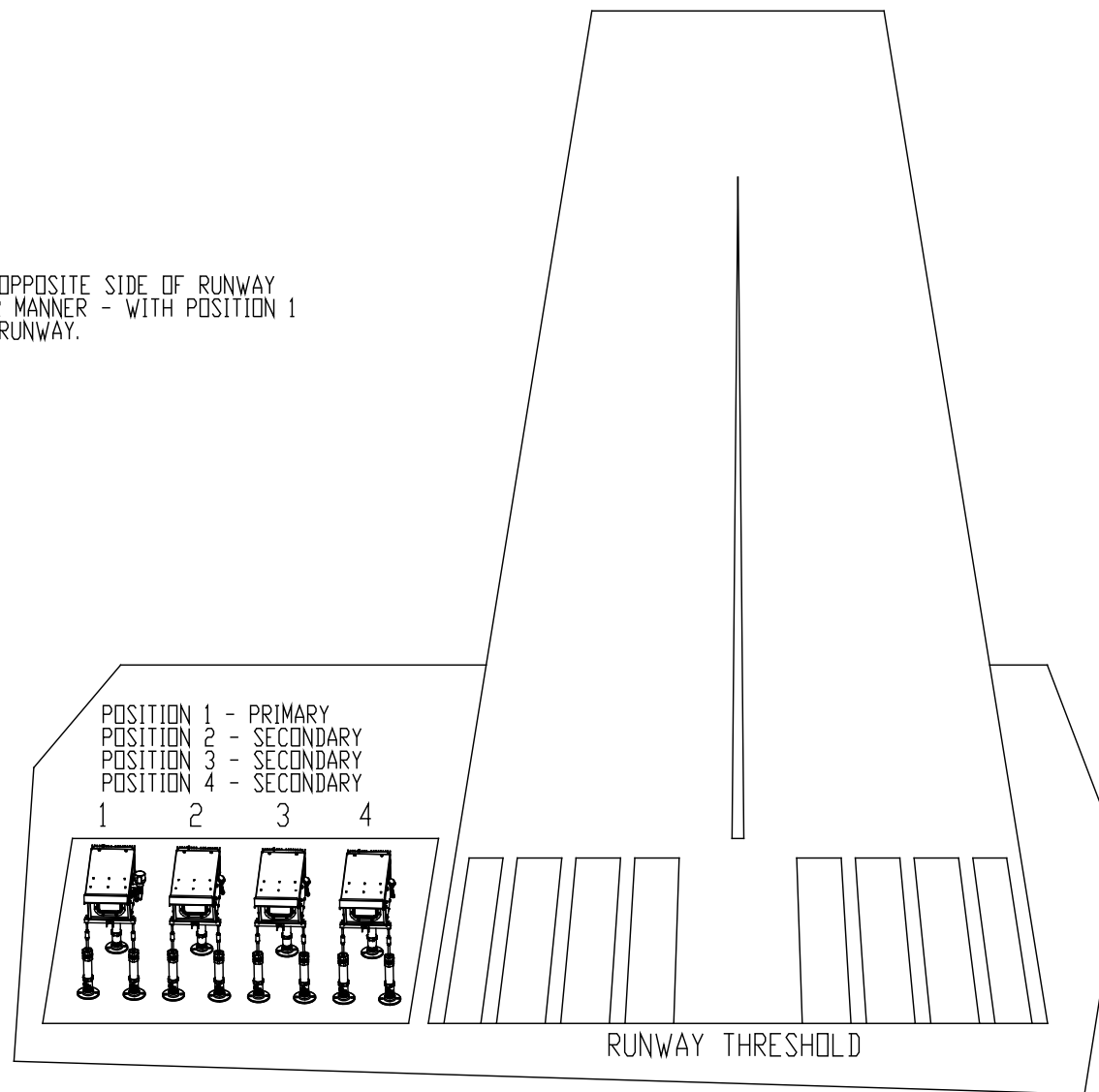
CONTROLLED COPY			
Unauthorized duplication of this document in whole or part is prohibited. Initialed in RED ink below indicates authorized copy.			
INITIAL & DATE: _____			
<b>ADB</b>			
ADB Airfield Solutions 977 Gahanna Parkway, Columbus, Ohio 43230 Telephone: 614-861-1304, Fax: 614-864-2069			
DRAWING TITLE: LED PAPI STYLE A & STYLE B TYPICAL SYSTEM INSTALLATION DETAILS L-880 / L-881			
REV. LEVEL	ECO NUMBER	REVISION DESCRIPTION	DRAWN BY / REV. DATE
F	INC-421	SEE REV F NOTES	DLR / 15MAY20
E	4274	ADD PAPI B REDUNDANT DETAILS	DLR / 31AUG17
D	4483	1-1/4" TRADE SIZE WAS 1"	JEG / 02DEC15
C	4243	ADD OPTION FOR LONGER CORDS	DLR / 25SEP14
B	---	PRODUCTION RELEASE	DLR / 22JUL14
A	---	PRODUCTION RELEASE	DLR / 10APR13
ASSOCIATED DRAWINGS:		DRAWN BY:	DRAWN DATE:
		DLR	10APR13
All information contained herein, including illustrations, specifications, and dimensions, is believed to be reliable as of the date of this publication, but is subject to change without notice. ADB reserves the right to make changes and improvements to its products and assumes no responsibility for these modifications. Any disclosure of this information is strictly prohibited except as ADB Airfield Solutions, Inc. may otherwise agree to in writing. Copyright © 2012 ADB Airfield Solutions, Inc.			DRAWING NUMBER: <b>117A0078</b>
N/A			SHEET NUMBER: 2 of 4
			REV: <b>F</b>



W R  
ON PATH INDICATION

FOR L881 TWO BOX SYSTEM  
LPLX/X2XXXX

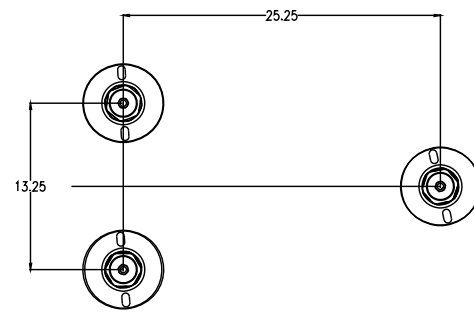
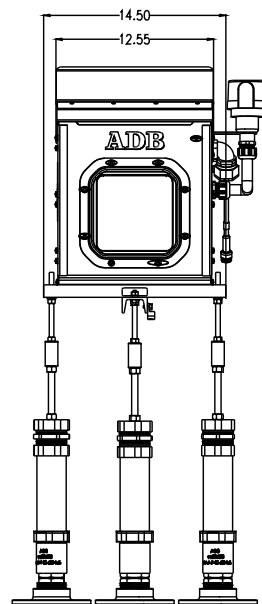
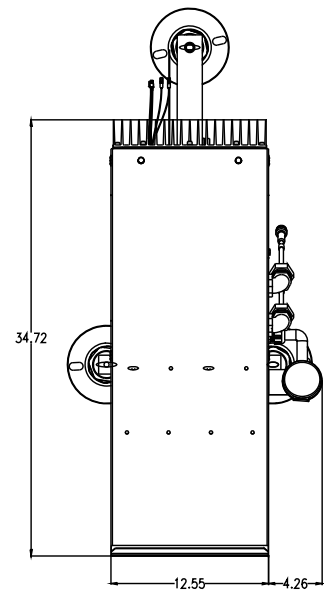
NOTE:  
ENCLOSURES INSTALLED ON OPPOSITE SIDE OF RUNWAY  
ARE NUMBERED IN A SIMILAR MANNER - WITH POSITION 1  
BEING FURTHEST FROM THE RUNWAY.



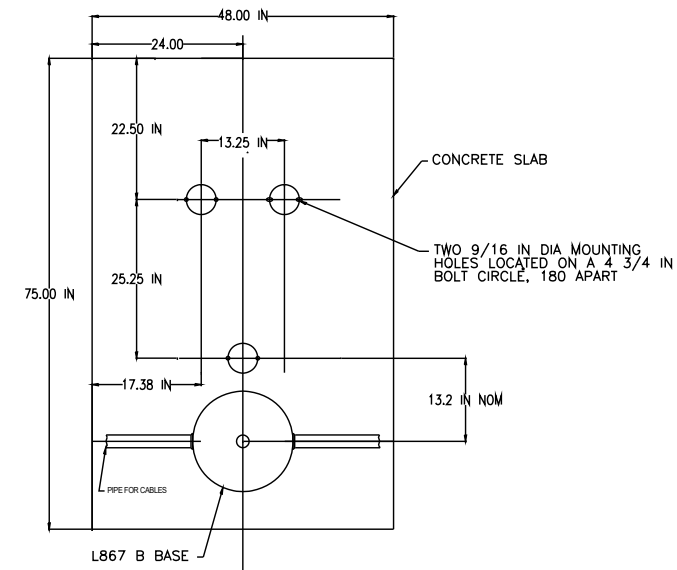
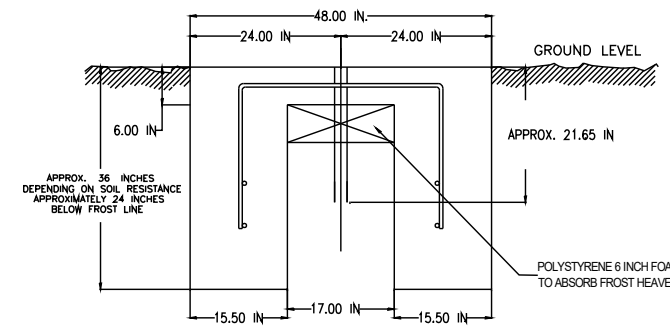
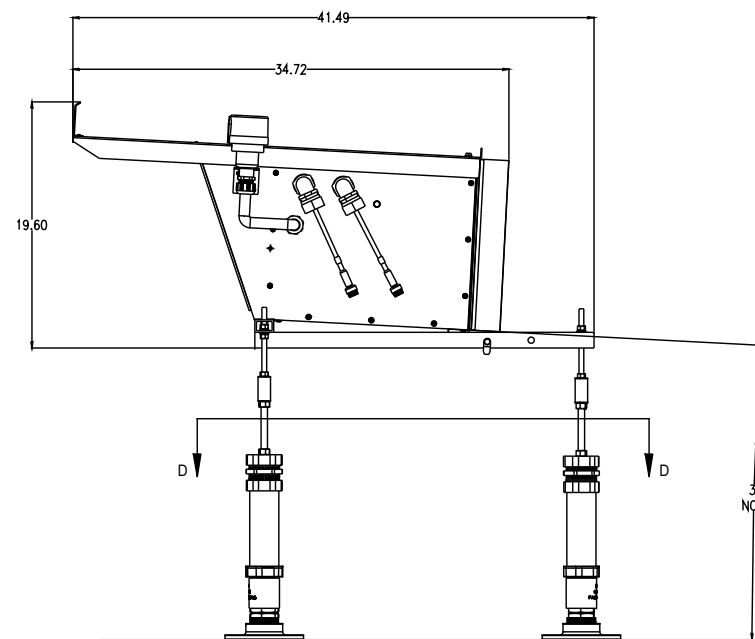
W W R R  
ON PATH INDICATION

FOR L880 FOUR BOX SYSTEM  
LPLX/X4XXXX

CONTROLLED COPY			
Unauthorized duplication of this document in whole or part is prohibited. Initialed in RED ink below indicates authorized copy.			
INITIAL & DATE:			
<b>ADB</b>			
ADB Airfield Solutions 977 Gahanna Parkway, Columbus, Ohio 43230 Telephone: 614-861-1304, Fax: 614-864-2069			
DRAWING TITLE: LED PAPI STYLE A & STYLE B TYPICAL SYSTEM INSTALLATION DETAILS L-880 / L-881			
REV	ECO	REVISION DESCRIPTION	DRAWN BY / REV DATE
LEVEL	NUMBER		
A	---	PRODUCTION RELEASE	DLR 10APR13
B	---	PRODUCTION RELEASE	DLR 22JUL14
C	4243	ADD OPTION FOR LONGER CORDS	DLR 25SEP14
D	4483	1-1/4" TRADE SIZE WAS 1"	JEG 02DEC15
E	4274	ADD PAPI B REDUNDANT DETAILS	DLR 31AUG17
F	INC-421	SEE REV F NOTES	DLR 15MAY20
ASSOCIATED DRAWINGS:		DRAWN BY:	DRAWN DATE:
		DLR	10APR13
All information contained herein, including illustrations, specifications, and dimensions, is believed to be reliable as of the date of this publication, but is subject to change without notice. ADB reserves the right to make changes and improvements to its products and assumes no responsibility for these modifications. Any disclosure of this information is strictly prohibited except as ADB Airfield Solutions, Inc. may otherwise agree to in writing. Copyright © 2012 ADB Airfield Solutions, Inc.			DRAWING NUMBER: <b>117A0078</b>
N/A			SHEET NUMBER: 3 of 4
			REV: <b>F</b>

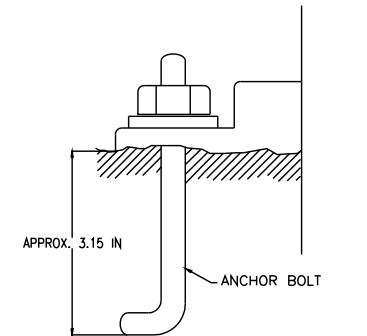
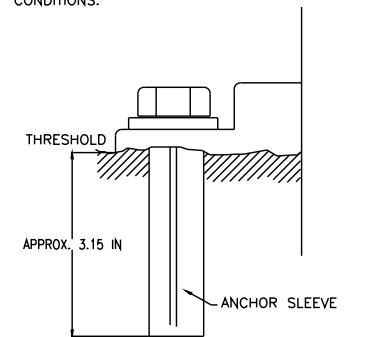


SECTION D-D



LED PAPI 3 LEG FOUNDATION DETAIL

NOTE:  
FOUNDATION DETAILS ARE GIVEN ONLY AS A GUIDE. THE APPROPRIATE DEPTH AND REINFORCEMENT OF THE PAD WILL DEPEND ON LOCAL SITE CONDITIONS.



FOOT FLANGE DETAIL

CONTROLLED COPY			
Unauthorized duplication of this document in whole or part is prohibited. Initialed in RED ink below indicates authorized copy.			
INITIAL & DATE:			
<b>ADB</b>			
ADB Airfield Solutions 977 Gahanna Parkway, Columbus, Ohio 43230 Telephone: 614-861-1304, Fax: 614-864-2069			
DRAWING TITLE: LED PAPI STYLE A & STYLE B TYPICAL SYSTEM INSTALLATION DETAILS L-880 / L-881			
REV	ECO	REVISION DESCRIPTION	DRAWN BY / REV DATE
F	INC-421	SEE REV F NOTES	DLR 15MAY20
E	4274	ADD PAPI B REDUNDANT DETAILS	DLR 31AUG17
D	4483	1-1/4" TRADE SIZE WAS 1"	JEG 02DEC15
C	4243	ADD OPTION FOR LONGER CORDS	DLR 25SEP14
B	---	PRODUCTION RELEASE	DLR 22JUL14
A	---	PRODUCTION RELEASE	DLR 10APR13
REV LEVEL	ECO NUMBER	REVISION DESCRIPTION	DRAWN BY / REV DATE
			DLR 10APR13
ASSOCIATED DRAWINGS:		DRAWN BY:	DRAWN DATE:
		DLR	10APR13
All information contained herein, including illustrations, specifications, and dimensions, is believed to be reliable as of the date of this publication, but is subject to change without notice. ADB reserves the right to make changes and improvements to its products and assumes no responsibility for these modifications. Any disclosure of this information is strictly prohibited except as ADB Airfield Solutions, Inc. may otherwise agree to in writing. Copyright © 2012 ADB Airfield Solutions, Inc.			
DRAWING NUMBER: <b>117A0078</b>			SHEET NUMBER: 4 of 4 REV: <b>F</b>