

SOLAR LIGHTING

Solar Products

Accessories for A704 and A650 Series
Solar Airfield Lights



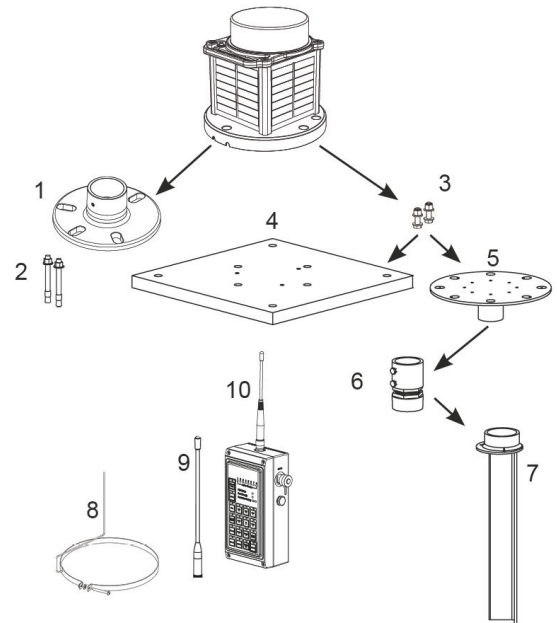
A704 Series Accessories

Mounting Hardware		
Ref.	Part No.	Description
1	82612	Frangible floor flange
2	76520	Anchor bolt kit
3	76516	Standard bolt kit, 700 series (2x stainless steel bolts)
4	81802	16" x 16" x 1" rubber mat
5	65714	Standard mounting plate
-	65717	Extended mounting plate
6	65711	Frangible coupling, 1.5" pipe x 2" thread
7	38925	2" hub stake - 15" long

Battery/Charger		
Ref.	Part No.	Description
-	72890	Battery kit, A704 Compact
-	72891	Battery kit, A704 Standard
-	72892	Battery kit, A704 Large
-	74314	Battery charger, A704 with military charge port, 100-240 VAC, 50/60 Hz
-	69885	Battery charger, A704 battery pack and barrel charge port, 100-240 VAC, 50/60 Hz

Optics		
Ref.	Part No.	Description
-	74690	Optical shield, 180 degree, several models
-	Inquire	Head kit, several models

Miscellaneous Parts		
Ref.	Part No.	Description
8	40865	A704 series bird deterrent
9	56150	Replacement antenna
10	83227	Handheld Controller (see pg. 3 for additional wireless control options)
-	48984	Installation tool kit with 5/32" security bit for head/battery changes and small socket set



A704 Series Mounting Hardware Options

SOLAR LIGHTING

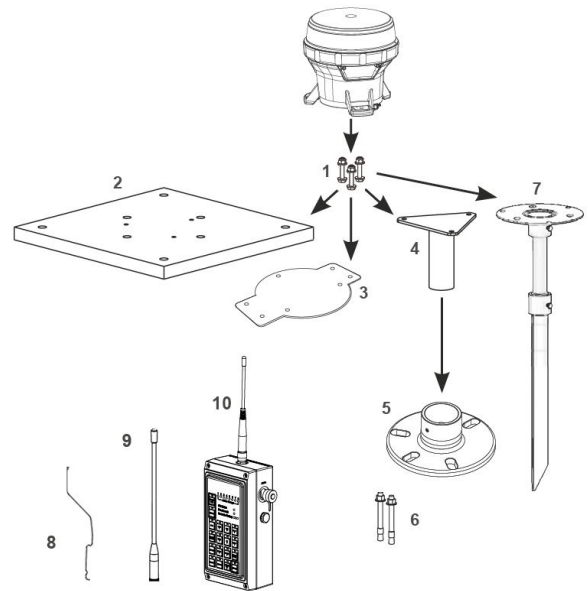
Solar Products

A650 Series Accessories

Mounting Hardware		
Ref.	Part No.	Description
1	84175	Standard bolt kit, A650 series (3× stainless steel bolts, 1/4-20 x 1.5")
2	81802	16" x 16" x 1" rubber mat
3	61869	Fence mounting kit with hardware
4	66699	Standard mounting plate (14" installed height)
-	69752	Extended mounting plate (24" installed height)
5	82612	Frangible floor flange
6	76520	Anchor bolt kit
7	61870	Stake mounting kit, soft ground
-	38925	2" hub stake - 15" long

Battery/Charger		
Ref.	Part No.	Description
-	72835	Battery kit, A650 series
-	59188	Battery charger, A650, 100-240 VAC, 50/60 Hz

Miscellaneous Parts		
Ref.	Part No.	Description
8	57003	Bird deterrent, A650 series
9	56150	Replacement antenna
10	83227	Handheld Controller (see page 3 for additional wireless options)
-	57392	Bottom cover replacement kit (with switch)
-	57393	Bottom cover replacement kit (without switch)
-	59198	Bottom cover access tool
-	48984	Installation tool kit with 5/32" security bit for head/battery changes and small socket set



A650 Series Mounting Hardware Options

Additional Solar Accessories

Additional accessories are available upon request.

SOLAR LIGHTING

Solar Products

Airfield Wireless Control Systems	
Part No.	Description
83227	Handheld Controller
82795	Battery kit, for controllers manufactured 2017 and later
90937	Battery kit & firmware upgrade, for controllers manufactured 2005-2016 (requires the controller to be shipped to factory to have firmware updated)
48176	Hard shell carrying case, for handheld controller
69899	Infrared Programmer, for A650
70373	L-854 ARCAL integration kit for handheld controller
Inquire	L-854 ARCAL radio control, multiple options
Inquire	Rugged laptop and monitoring software



Solar Engine Power Supply	
Part No.	Description
SEPS NW	Non-wireless control of ERGL, Wind Cone or Sign
SEPS W	Wireless control of ERGL, Wind Cone or Sign
32303	SEPS with replacement antenna
If you require a part that is not included on this accessories sheet including ERGL, Wind Cone or Sign mounting accessories or replacement parts, please contact ADB Safegate for support.	

www.adbsafegate.com

Product specifications may be subject to change, and specifications listed here are not binding. Confirm current specifications at time of order.