

OBSTRUCTION & BEACONS

RBHI

Airport Rotating Beacon HIGH INTENSITY



Compliance with Standards

FAA: L-802AAC 150/5345-12 (Current Edition)

ICAO: Annex 14, para. 5.3.3

Uses

L-802A Rotating Beacons are designed primarily for night operation as identification and location markers for airports.

Features

- Patented belt-drive system eliminates the lubrication required by conventional gear-drive beacons. (U.S. Patent No. 5,339,224)
- Patented liquid-filled lamp connector eliminates the slip rings and brushes found on conventional beacons (U.S. Patent No. 5,816,678)
- Two 40,000 lumen, 400-watt pulse-start metal-halide lamps
- Pulse-start lamps fully bright in 3-5 minutes
- 26,000 hour typical lamp life (6 years)
- One clear lens and one aviation green lens
- No maintenance except lamp replacement
- All moving parts are permanently lubricated
- Thermally-protected motor eliminates burn outs
- 12 rpm rotation, 24 flashes per minute
- Lamps preset at 5° above horizontal, adjustable
- Weatherproof steel cabinet with powder-coated international orange finish
- Optional photocell and/or tell-tale relay
- Mountable on a Hali-Brite Tipdown Pole
- Electrical Power - The beacon operates on 120 VAC, 60 Hz or 220-240 VAC, 50/60 Hz
- Power Consumption - Class I: 965 W; Class II: 1365 W
- Made in the USA and ETL certified by Hali-Brite, Inc.

Operating Conditions

Temperature: Class I: 22 °F to +131 °F (-30 °C to +55 °C)
Class II: -67 °F to +131 °F (-55 °C to +55 °C)

Wind: Velocities up to 100 mph (161 kph)

Ordering Code

44A6008 - 0 X X 0

Style

3 = Two 400 W pulse-start metal-halide lamps

Power

- 0 = 120 VAC, 60 Hz, without heater, Class I
- 1 = 220-240 VAC, 50 Hz, without heater, Class I
- 2 = 120 VAC, 60 Hz, with heater, Class II
- 3 = 220-240 VAC, 50 Hz, with heater, Class II
- 4 = 220-240 VAC, 60 Hz, without heater, Class I
- 5 = 220-240 VAC, 60 Hz, with heater, Class II

Notes

- 220-240 VAC available. Contact the ADB SAFEGATE Sales Dept.
- Add tell-tale relay for monitoring (see options below).

Optional Accessories

Description	Part No.
Tell-Tale Relay, 120 VAC	L801/802T/THBM 120
Tell-Tale Relay, 220/240 VAC	L801/802 T/T HBM 240
Tell-Tale Relay, 220/240 VAC, 50 Hz	L801/802 T/T 240/50
Tower Mounting Kit	4200-0000

Packaging

Cube Shipping Volume:	48 × 42 × 32 in (122 × 107 × 81 cm)
Weight:	150 lb (68 kg) - not packaged 250 lb (113.4 kg) -shipping

OBSTRUCTION & BEACONS

RBHI

Hali-Brite Tipdown Pole

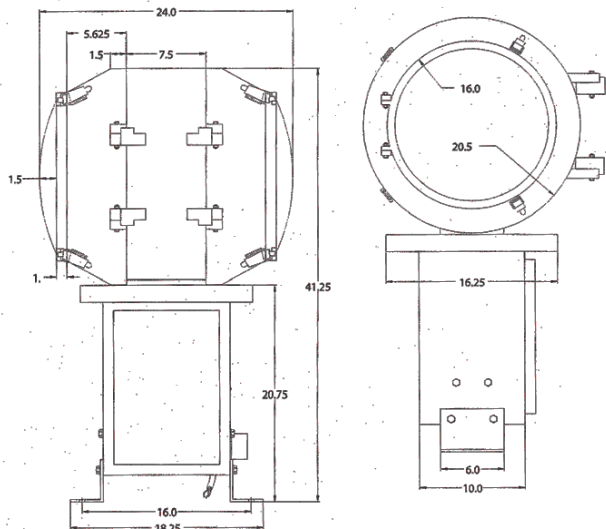
The Tipdown Pole makes it easy to change lamps and perform routine maintenance.



- Increases safety - no risk of falling or hazard of working on a platform
- Easy to operate - can be quickly lowered and raised using a hand-operated winch system
- Can be installed in locations inaccessible to bucket trucks
- Not designed for DCB-36 or DCB-224 beacons
- Greatly reduces maintenance costs and downtime

For more information, contact the ADB SAFEGATE Sales Department.

Dimensions



www.adbsafegate.com

Product specifications may be subject to change, and specifications listed here are not binding. Confirm current specifications at time of order.