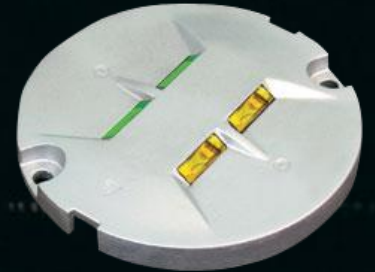


Airfield Lighting

Spare Part List

8" SafeLED and SafeLED IQ Inset Light
(SL-TC-I; SL-SB-I)

- Taxiway Centre Line
- Lead-on/Exit Taxiway
- Stop Bar
- Intermediate Holding Position
- Aircraft Stand Manoeuvring Guidance

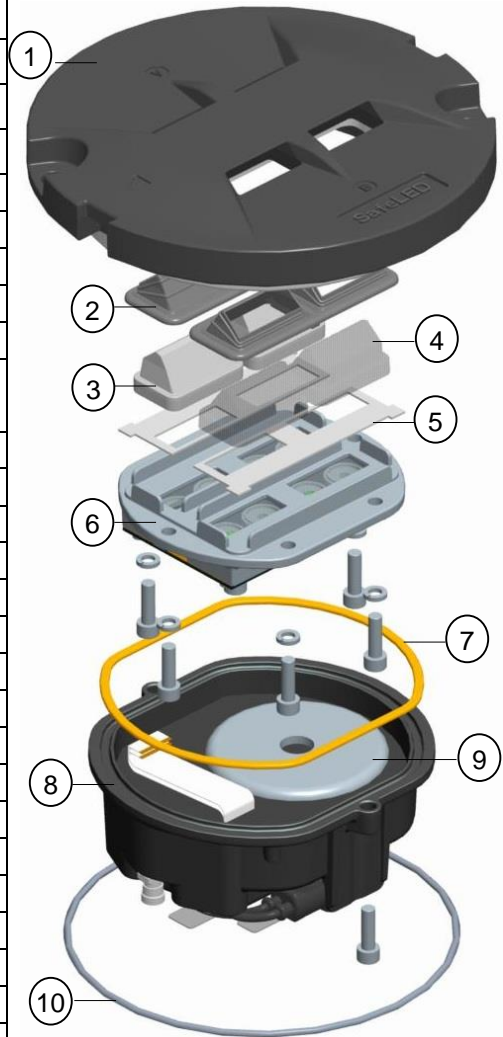


Note: *This page is blank for convenient double-sided printing.*

SPARE PART LIST
8" SAFELED AND SAFELED IQ INSET LIGHT
(SL-TC-I; SL-SB-I)

Note: Contact Safegate Group for assistance with ordering spare parts.

Description	Quantity per fitting			Order Code
	UNI	BI	code	
Top plate ¹	1	1	-	14703
Prism gasket ²	2	2	10	14699
Blank plug ³	2, 3	0, 2	5	13352
Prisms ⁴ including: gasket ² and protection plate ⁵ .				
N prism (Narrow)	1	2	4	14700
W prism (Wide)	2	4	4	14701
C prism (Curved):				
- Left beam (A)	2	2	4	14697
- Right beam (B)	2	2	4	14698
LED board holder ⁶ incl.: protection plate ⁵ , screws, washers (un-mounted).				
NARROW UNI-DIRECTIONAL, LEDs on B-side				
- 1X2 LED Green	1	-	1	14532
- 1X2 LED Yellow	1	-	1	15840
WIDE or CURVED UNI-DIRECTIONAL, LEDs on B-side				
- 1X4 LED Green	1	-	1	15811
- 1X4 LED Yellow	1	-	1	14529
- 1X4 LED Red	1	-	1	14528
WIDE or CURVED UNI-DIRECTIONAL, LEDs on A-side				
- 1X4 LED Green	1	-	1	15844
- 1X4 LED Yellow	1	-	1	15845
NARROW BI-DIRECTIONAL				
- 2X2 LED Green Green		1	1	14523
- 2X2 LED Green Yellow		1	1	15841
WIDE or CURVED BI-DIRECTIONAL				
- 2X4 LED Green Green		1	1	14531
- 2X4 LED Green Yellow		1	1	15167
- 2X4 LED Yellow Yellow		1	1	14526
- 2X4 LED Yellow Green		1	1	14525
- 2X4 LED Red Red		1	1	15812
Housing gasket ⁷	1	1	10	13088
			50	13089
Housing assembly ⁸ including: cover, converter ⁹ , cable(s), rubber compression seals, valve and screws.				
SafeLED IQ0 (Ready) Converter	1	1	1	14527
SafeLED Converter 1 connector	1	1	1	14524
SafeLED Converter 2 connector	1	1	1	16308
Base gasket ¹⁰ (O-Ring)	1	1	10	13092
			50	11566



Note: Component availability or design may be subject to change due to unforeseen circumstances. This document is subject to change or new information from Safegate Group, as and when available or if required, with reservation for error or price changes.

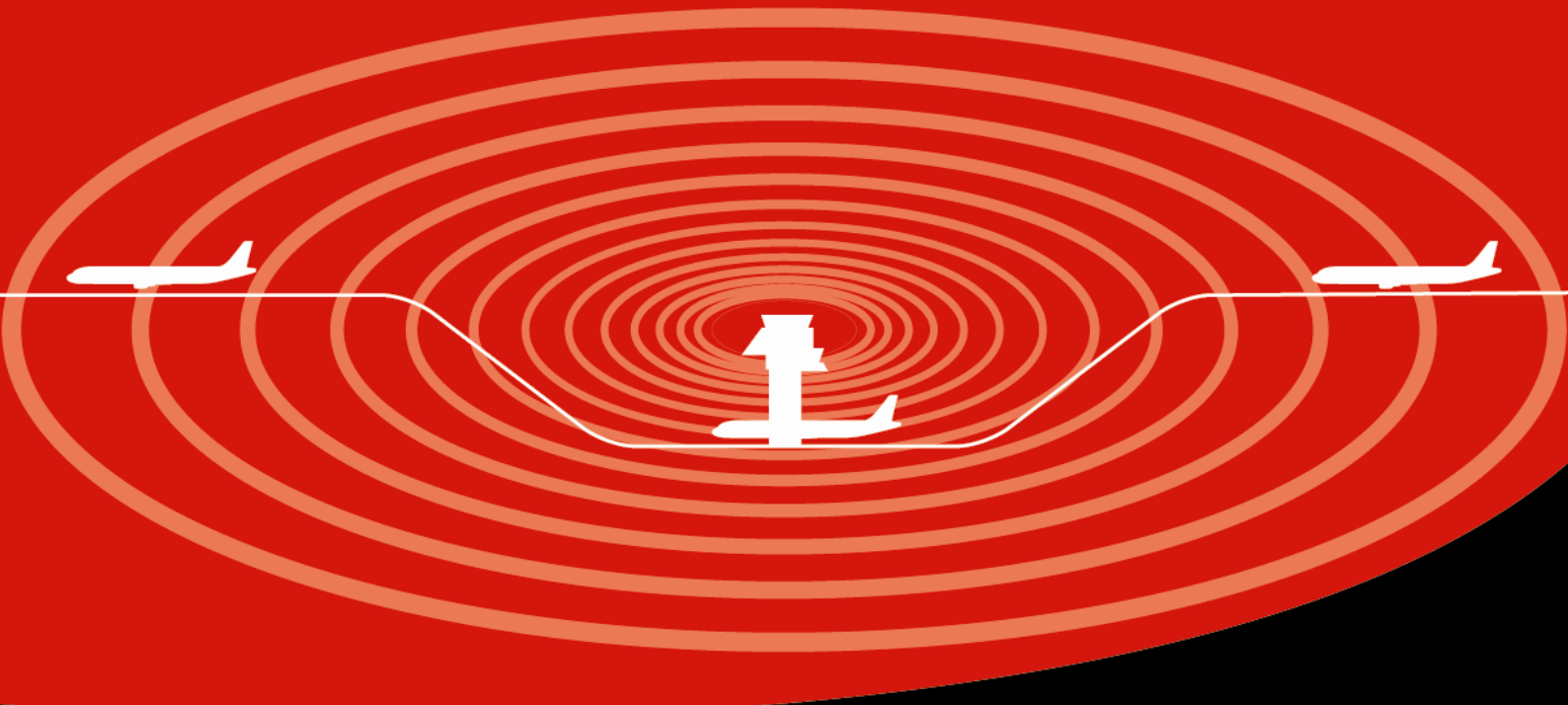
** Contact Safegate Group for assistance with ordering spare parts.*

Check in to the future

How many aircraft can your airport handle today?
Can this number be increased without adverse effects on the airport's safety level?
It is a known fact that traffic volume will rise in the foreseeable future. More movements will demand monitoring of the entire airport. Requirements will be sharpened and the development of an integrated system

controlling not only ground movements but also air traffic close to the airport is of the highest interest.
The International Civil Aviation Organization (ICAO) already describes A-SMGCS, Advanced Surface Movement Guidance and Control System, as the answer to the future modern airport need to control the entire airport space in one superior system.

To a larger extent than today's systems, A-SMGCS will rely on automated processes to give both pilots and traffic controllers exact information about positions and directions. Safegate Group delivers complete A-SMGCS solutions already, as well as all vital parts relating to it. Safegate Group can check your airport into the future – today!



Safegate Group HQ
Djurhagegatan 19
SE-213 76 Malmö, Sweden
Phone: +46 (0)40 699 17 00
Fax: +46 (0)40 699 17 30
E-mail: market@safegate.com

Australia
australia@safegate.com
+61 (0)3 9720-3233

Austria
office@avibit.com
+43 316 429961

Brazil
brazil@safegate.com
+55 11 2137 4405

China
china@safegate.com
+8610-85275297

Dubai
dubai@safegate.com
+971 4 452 75 75

Finland
finland@safegate.com
+358 (0)20754 7700

France
france@safegate.com
+33 (0)1 42 99 60 40

Germany
germany@safegate.com
+49 (0)4121 464 303

India
india@safegate.com
+91 11 4106 1545

Malaysia
malaysia@safegate.com
+60 32 011 3522

Qatar
qatar@safegate.com
+974 436 9628

Russia
russia@safegate.com
+7 495 917 4614

Singapore
singapore@safegate.com
+65 6289 6893

Spain
spain@safegate.com
+34 917 157 598

UK
uk@safegate.com
+44 (0)208 573 0384

USA
usa@safegate.com
+1 763 535 92 99

SAFEGATE
GROUP 

Safegate Group offers solutions for increased safety, efficiency and environmental benefits to airports worldwide. The company was founded in 1973 and has its headquarters in Malmö, Sweden. Safegate Group has more than 70 partners around the globe in order to be close to its customers. Earlier members of Safegate Group include Thorn AFL and Idman, who both have over 40 years of experience in airfield lighting solutions for airports and heliports. The latest member of Safegate Group is Avibit, a leading provider of next generation software applications and integration of efficient air traffic control systems. Safegate Group's complete range of products and services, a "one-stop shop", provides solutions to customers and airborne travellers around the globe.

www.safegate.com