

Airfield Lighting

Spare Part List

8" Inset Lights – IDM 4651, IDM 4552

- Touchdown Zone
- Runway Centre Line Light



Note: *This page is blank for convenient double-sided printing.*

SPARE PART LIST

8" INSET LIGHTS

IDM 4651, IDM 4552

This document includes a list of spare parts with exploded view examples.

Note: Contact Safegate Group for assistance with ordering spare parts.

| Description | No. | Quantity | Drawing | Code | Note |
|---|-----|----------|--------------------|----------------|-------------------------|
| Top cover | 1 | 1 | O-38006 O-38005 | 10834 10704 | |
| Gasket | 2 | 1 | O-48011 | 10697 | |
| Prism | 3 | 1 or 2 * | O-48041 | 10467 | marking "CL" |
| Pad | 4 | 1 | O-48014 | 10698 | |
| Cross slot screw M4x16 DIN 7500C, A4 | 5 | 4 | - | 10465 | |
| Fastening plate | 6 | 1 | O-48311 | 10465 | |
| Lamp holder | 7 | 1 | O-48299 | 10463 | |
| Lamp, dichroic 105W 6,6A Ø50mm | 8 | 1 | - | 11881 | Ø4mm connectors |
| O-ring gasket 126,6x3,53 | 9 | 1 | - | 10696 | |
| Inner cover, 2 glands | 10 | 1 | O-38308 | 10460 | |
| Latch | 11 | 2 | O-48015 | 10703 | |
| Valve assembly | 12 | 1 | O-48201 | 10235 | Includes needle and cap |
| O-ring gasket Ø6x2 | 13 | 1 | - | 11815 | |
| Cable gland AGRO M6, Viton 1000.06.91.030 | 14 | 2 | - | 10061 | Cable ø 2,5-3,0 mm |
| Cable gland AGRO M6, Viton 1000.06.91.035 | | 0 or 3 * | - | 10062 | Cable ø 3,0-3,5 mm |
| Lamp fastener | 15 | 1 | O-48257 | 10477 | |
| Secondary cable, male, 2 conduits, 2x1,5mm² Ø4mm connectors | 16 | 1 | - | 11628 | PTFE wires |
| Allen sunk screw M6x20 DIN 7991, A2 | 17 | 6 | - | - | |
| Screw M6x12 + washer DIN 933, A4 | 18 | 2 | - | 11683 | |
| Pin, fixed | 19 | 1 | O-48262 | 10483 | |
| Pin, captive | 20 | 1 | O-48258 | 10482 | |
| Coil spring SPEC D21500 | 21 | 2 | - | 10092 | |
| C-ring DIN 6799-4 | 22 | 2 | - | 10097 | |
| Insulation rubber 318-928 | 23 | 4 | - | 11567 | |
| Sleeve | 24 | 4 | O-48140 | 10232 | |
| Terminal strip, 2-pole, 10A | 25 | 1 | - | 10085 | Ceramic |
| Terminal pin ø 4 mm | 26 | 2 | O-48279 | 10489 | |
| Slot screw M4x20 DIN 84, A4 | 27 | 1 | - | 11941 | |
| Spring washer ø4mm DIN 127, A4 | 28 | 1 | - | 11944 | |
| Nut M4 DIN 934, A4 | 29 | 1 | - | 11807 | |
| Washer ø4mm DIN 9021, A4 | 30 | 4 | - | 12021 | |
| Support 81.100 | 31 | 1 | - | 11823 | |
| Film cut-out device 100W-200W | 32 | 0 or 1 * | - | 10123 | Assembly, includes disk |
| Film cut-out disk 100W-200W | 33 | 0 or 1 * | - | 10127 | |
| Secondary connector 3 pin PTFE wires 0,3 m | 34 | 0 or 1 * | - | 10080 | |
| Inner cover, 3 glands | 35 | 0 or 1 * | O-38385 | 10461 | |
| Colour filter 37,8x17,8 mm | | 0 or 1* | O-48019 | 10688 | red (C/R only) |
| Note: | | | | | |
| * Item is an alternative option for the light structure. | | | | | |

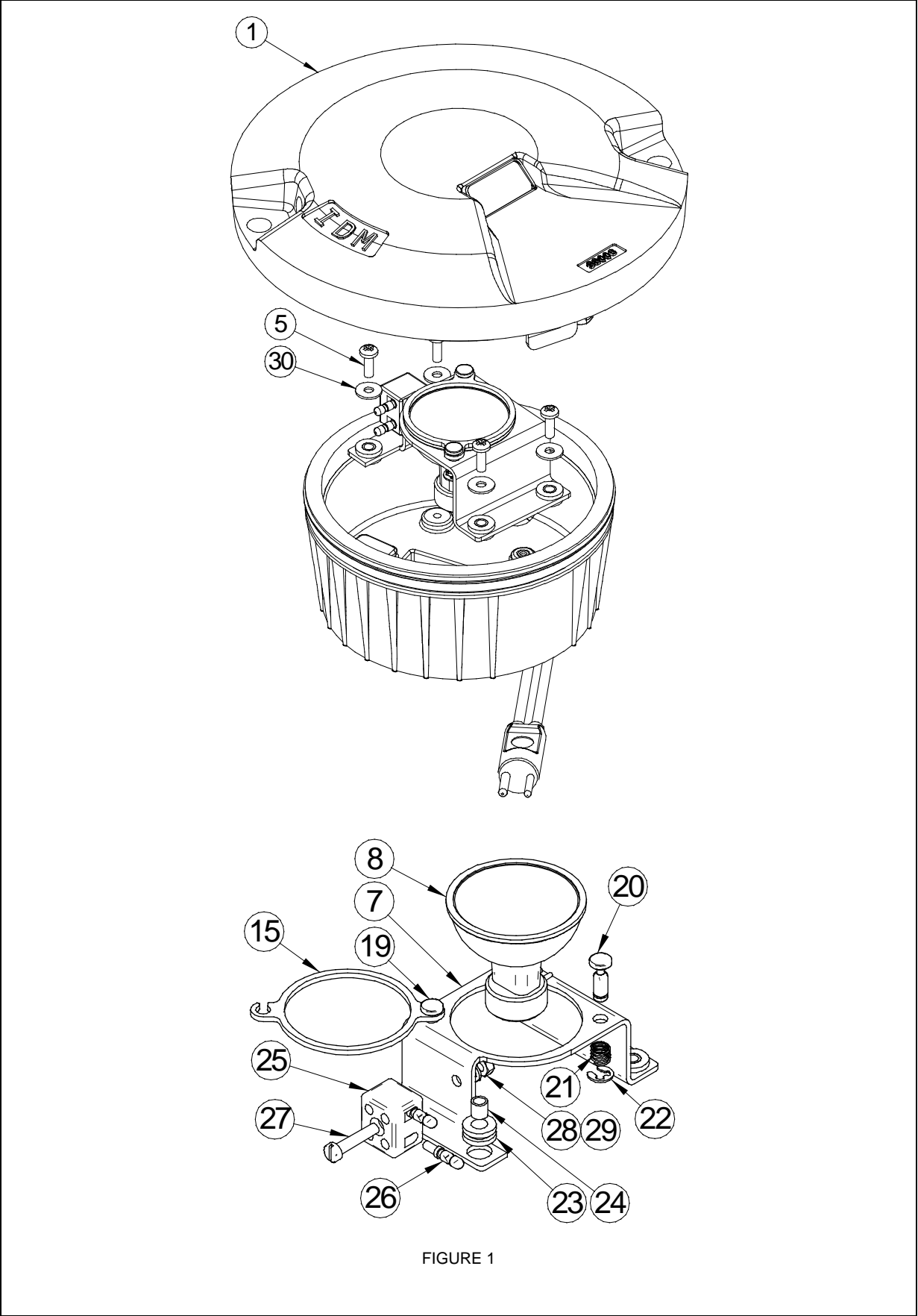
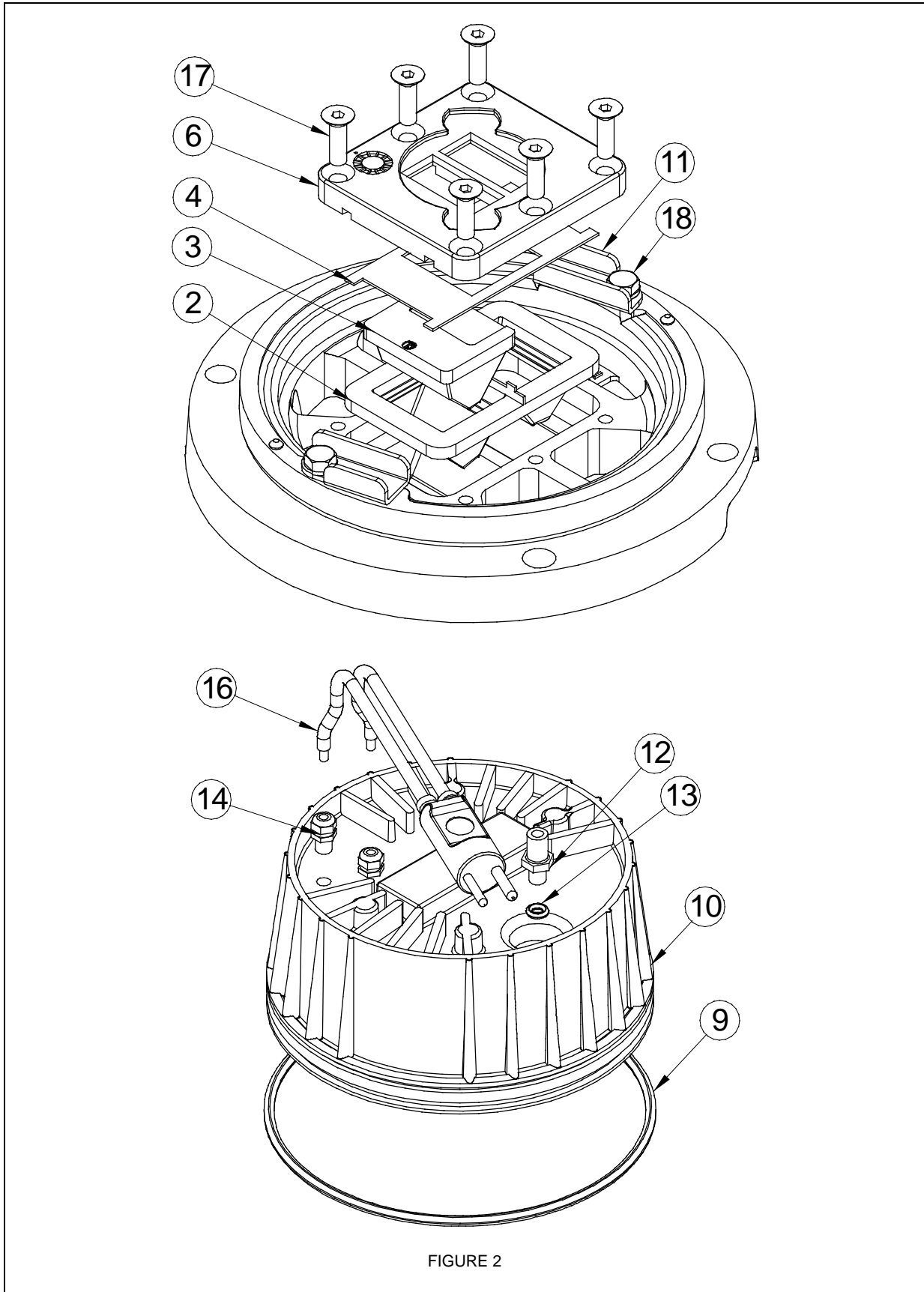
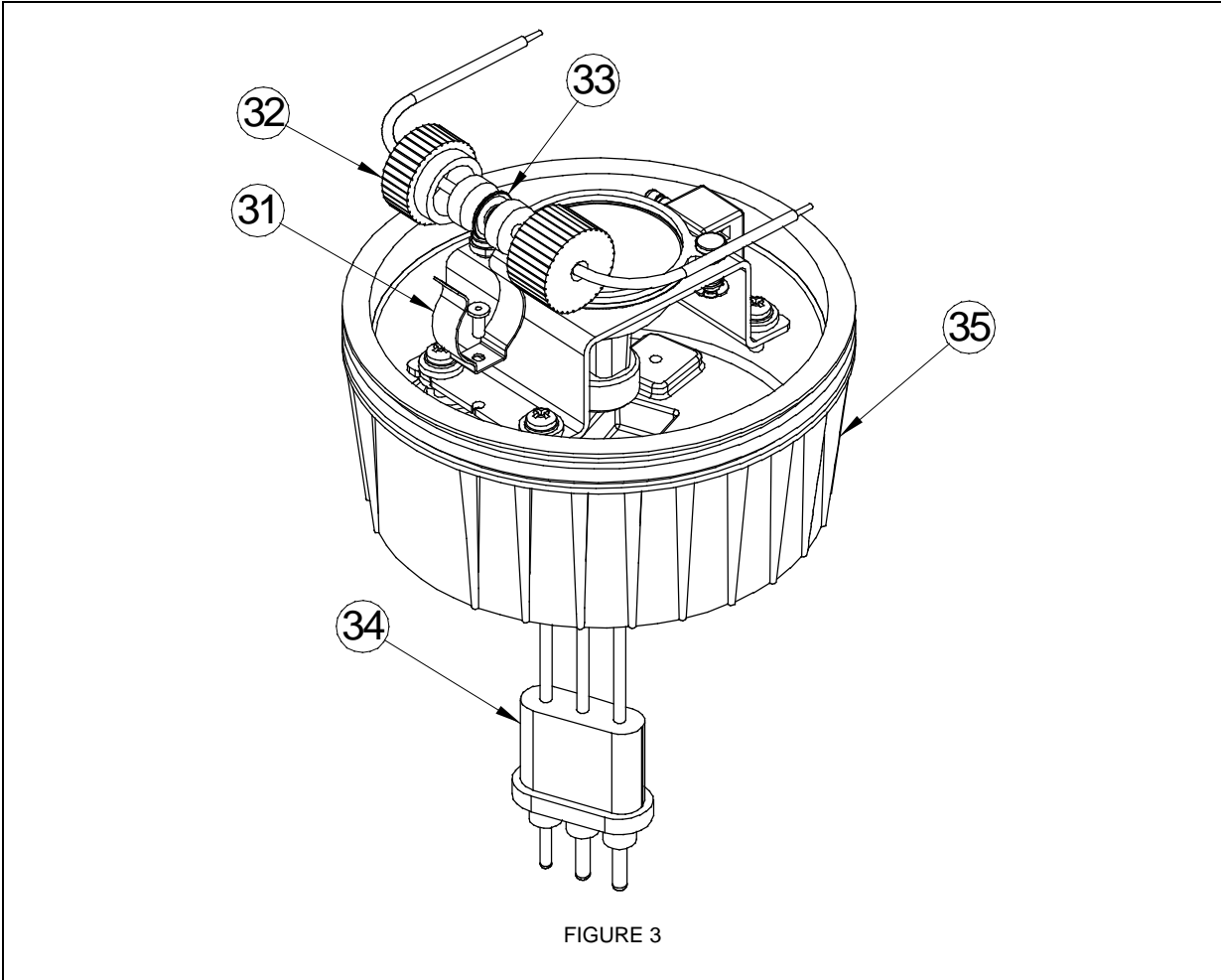


FIGURE 1





Check in to the future

How many aircraft can your airport handle today?
Can this number be increased without adverse effects on the airport's safety level?
It is a known fact that traffic volume will rise in the foreseeable future. More movements will demand monitoring of the entire airport. Requirements will be sharpened and the development of an integrated system

controlling not only ground movements but also air traffic close to the airport is of the highest interest.
The International Civil Aviation Organization (ICAO) already describes A-SMGCS, Advanced Surface Movement Guidance and Control System, as the answer to the future modern airport need to control the entire airport space in one superior system.

To a larger extent than today's systems, A-SMGCS will rely on automated processes to give both pilots and traffic controllers exact information about positions and directions. Safegate Group delivers complete A-SMGCS solutions already, as well as all vital parts relating to it. Safegate Group can check your airport into the future – today!



Safegate Group HQ
Djurhagegatan 19
SE-213 76 Malmö, Sweden
Phone: +46 (0)40 699 17 00
Fax: +46 (0)40 699 17 30
E-mail: market@safegate.com

Australia
australia@safegate.com
+61 (0)3 9720-3233

China
china@safegate.com
+8610-85275297

Dubai
dubai@safegate.com
+971 4 332 30 07

Finland
finland@safegate.com
+358 (0)20754 7700

France
france@safegate.com
+33 (0)1 49 53 62 62

Germany
germany@safegate.com
+49 (0)231 9776754

India
india@safegate.com

Qatar
qatar@safegate.com
+974 436 9628

Russia
russia@safegate.com
+7 495 917 4614

Singapore
singapore@safegate.com
+65 6289 6893

Spain
spain@safegate.com
+34 917 157 598

UK
uk@safegate.com
+44 (0)20 8594 2747

USA
usa@safegate.com
+1 763 535 92 99

THORN **IDMAN**
Airfield Lighting

SAFEGATE
GROUP 

Safegate Group offers solutions for increased safety, efficiency and environmental benefits to airports around the world. The company was founded in 1973 and has its headquarters in Malmö, Sweden. Safegate Group has over 70 partners around the globe in order to be close to its customers. The latest members of Safegate Group, Thorn AFL and Idman, have both over 40 years of experience in airfield lighting solutions for airports and heliports worldwide. Safegate Group's complete range of products and services, a "one-stop shop", provides solutions to customers and airborne travellers around the globe.

For more contact information and details:
www.safegate.com