

IRGL Light Engine and Power Supply PCB Parts Replacement Guide

1.0 Overview

Since the inception of the Inpavement Runway Guard light LED (IRGL L-852G) LEDs have evolved such that lumen performance has increased. This has caused LED manufacturers to change LEDs and their mounting platforms along with drive current reductions. Therefore, ADB has had to evolve the IRGL accordingly.

This document will define what LED light engines and associated power supplies need to be ordered as spares to replace the LED light engines and power supplies originally shipped with the IRGL if they need replacing.

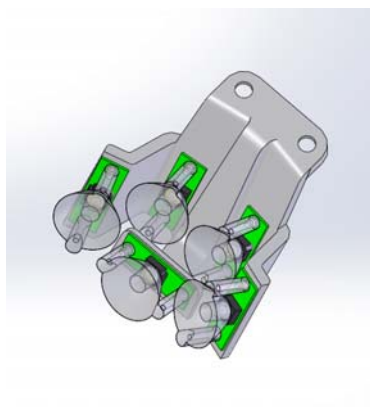
1. In some cases either replacing the original LED light engine OR the original power supply will suffice.
2. In some cases BOTH LED light engine AND power supply will need to be replaced even though only one of them is non-functional.

Below is detailed guidance on how to replace the parts.

2.0 Replacement Guidance

Table 1.0: IRGL Light Engine Replacement Guidance

If you have to replace LED light engine part number:			Notes
	Order LED light engine part number:	Also order and replace LED Transformer/Power Supply PCB with:	
48A0404/YLW	48A0415/TYLW	No need to replace power PCB if it is OK	48A0404/YLW is no longer available. 48A0415/TYLW replaces 48A0404/YLW in ALL configurations. (style 2, style 3, three light engines or two light engines and any power supply)
48A0415/TYLW	48A0415/TYLW	No need to replace power PCB if it is OK	



48A0404/YLW



48A0415/TYLW

IRGL Light Engine and Power Supply PCB Parts Replacement Guide

Table 2.0: IRGL Transformer/Power Supply PCB Replacement Guidance

If you have to replace LED Transformer/Power Supply PCB number:	Replacement Guidance	
	Order LED Transformer/Power Supply PCB number:	Notes
44A6823	44A6823	There is no need to replace light engine(s) if it is OK
44A6823/1	44A6823/1	There is no need to replace light engine(s) if it is OK
44A7282/20	44A7282/20	There is no need to replace light engine(s) if it is OK



For 44A6823 & 44A6823/1 part number can be found here



For 44A7282/20 part number can be found here